

Agency:



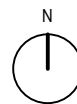
Funded by:

Humanitarian Aid
and Civil Protection - ECHO



Humanitarian Aid
and Civil Protection

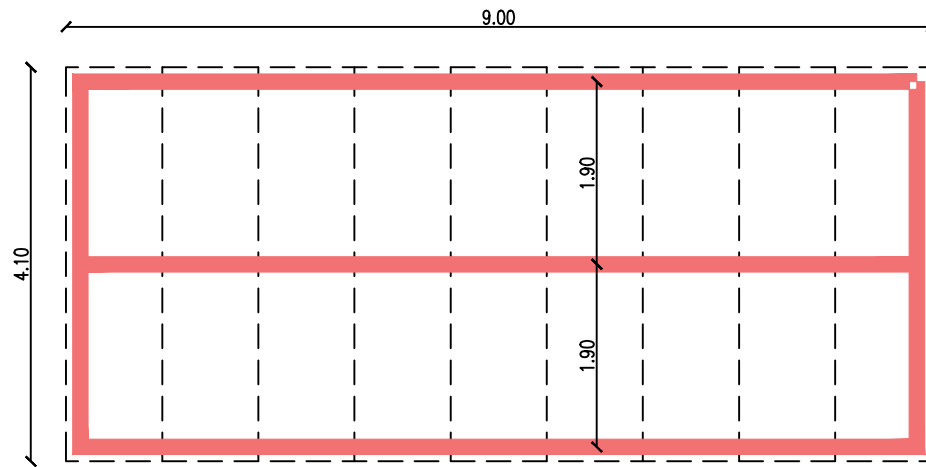
Agency : ACTED
Program : Emergency Project
Scale : 1:50
Designer: ACTED Technical Team



Design Code :
BS32

Plan Name :
Residential Block Structure 32 m²

Date :
2021



Agency:



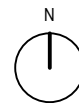
Funded by:

Humanitarian Aid
and Civil Protection - ECHO



Humanitarian Aid
and Civil Protection

Agency : ACTED
Program : Emergency Project
Scale : 1:50
Designer: ACTED Technical Team



Design Code :

BS32

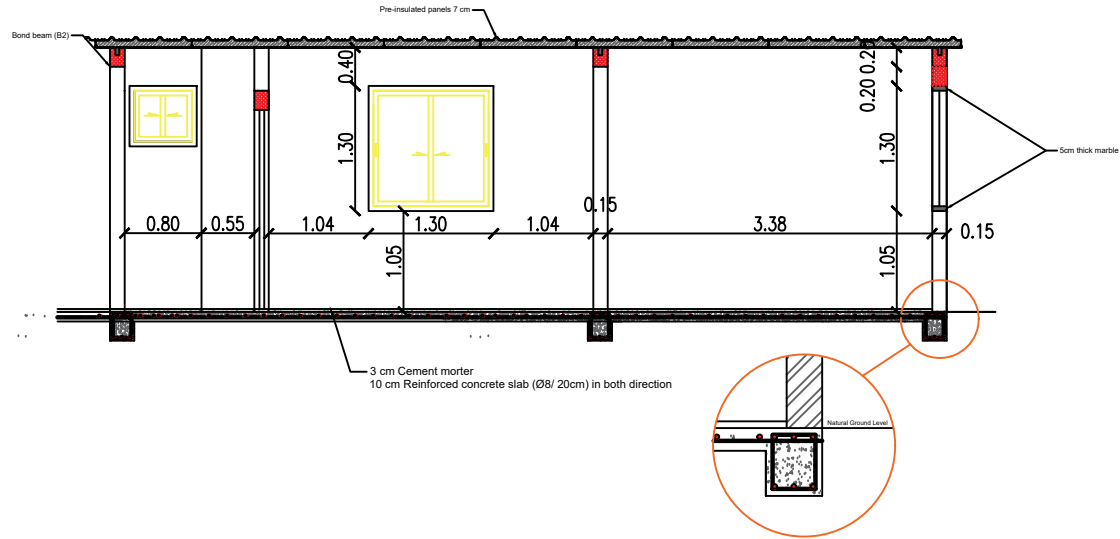
Plan Name :

Residential Block Structure 32m²

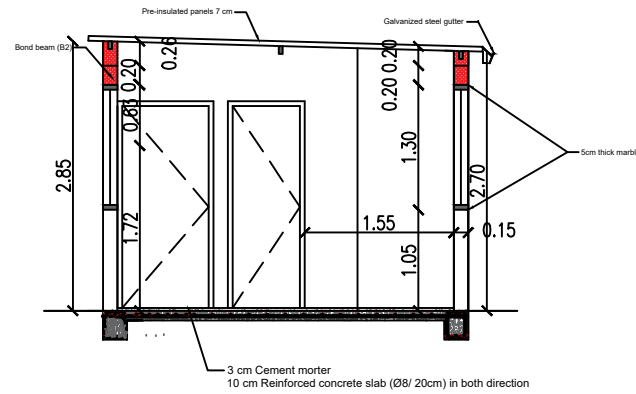
Date :

2021

Sections



Section A-A



Section B-B

Agency:

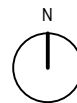


Funded by:

Humanitarian Aid
and Civil Protection - ECHO



Agency : ACTED
Program : Emergency Project
Scale : 1:50
Designer: ACTED Technical Team



Design Code :
BS32

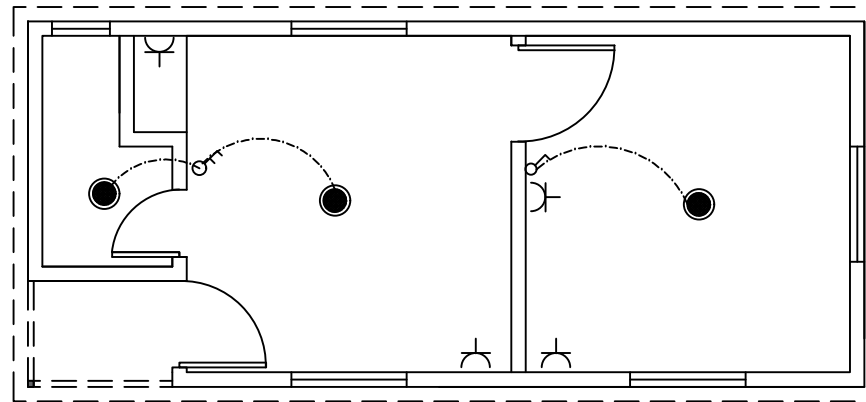
Plan Name :

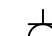
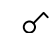
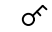
Residential Block Structure 32m²

Date :

2021

Electricity Plan



-  Socket (waterproof)
-  Switch 10A
-  Switch 2*10A

Agency:

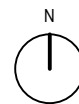


Funded by:

Humanitarian Aid
and Civil Protection - ECHO



Agency : ACTED
Program : Emergency Project
Scale : 1:50
Designer: ACTED Technical Team



Design Code :

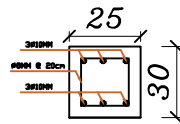
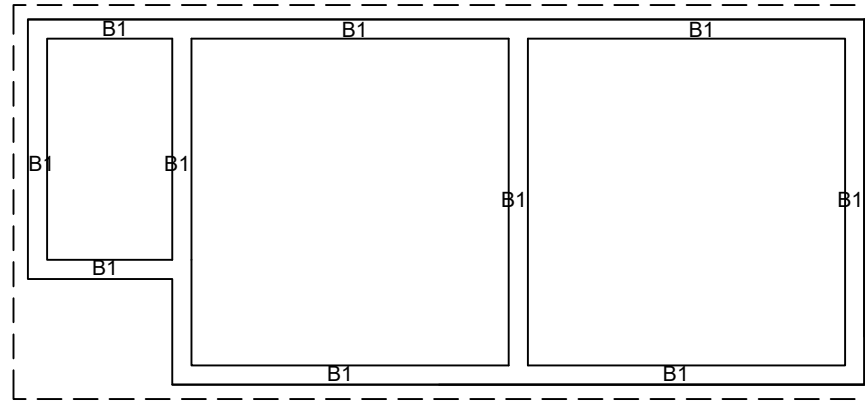
BS32

Plan Name :

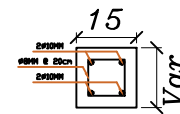
Residential Block Structure 32m²

Date :

2021



Tie Beam (B1)



Bond Beam (B2)

Agency:



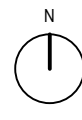
Funded by:

Humanitarian Aid
and Civil Protection - ECHO



Humanitarian Aid
and Civil Protection

Agency : ACTED
Program : Emergency Project
Scale : 1:50
Designer: ACTED Technical Team



Design Code :

BS32

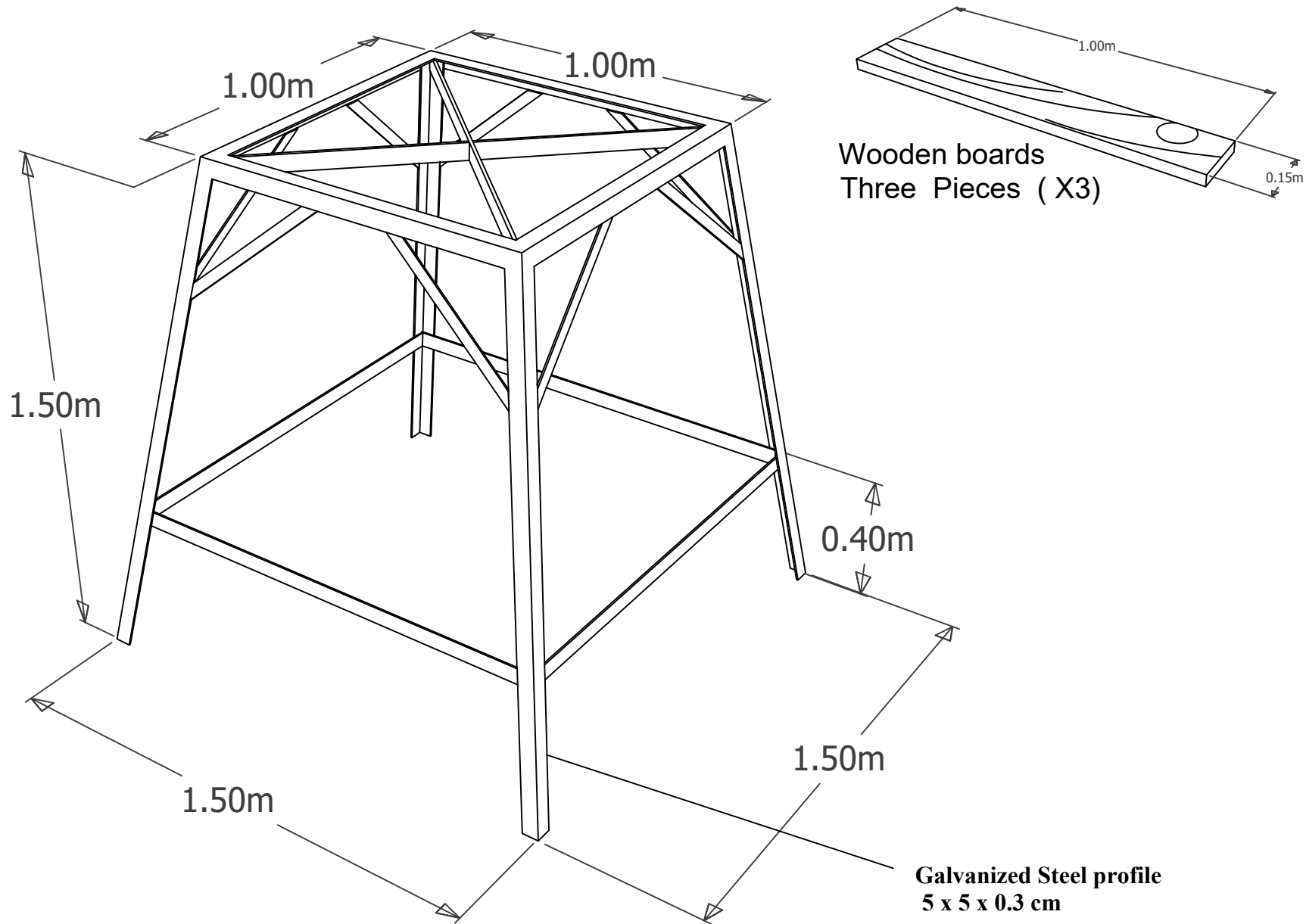
Plan Name :

Residential Block Structure 32m²

Date :

2021

Galvanized steel stand for water tank



Agency:

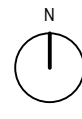


Funded by:

Humanitarian Aid
and Civil Protection - ECHO



Agency : ACTED
Program : Emergency Project
Scale : 1:50
Designer: ACTED Technical Team



Design Code :

BS32

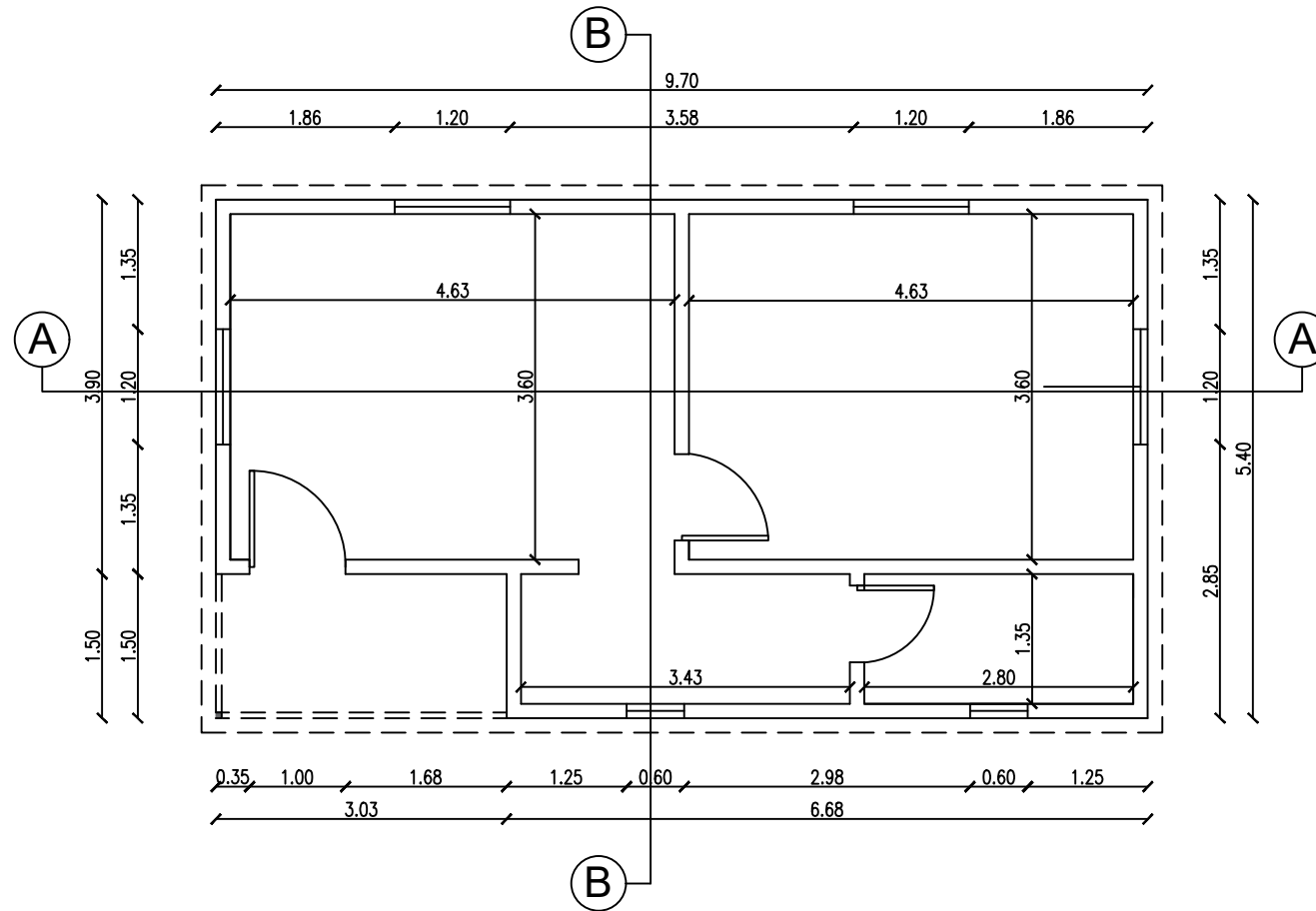
Plan Name :

Residential Block Structure 32m²

Date :

2021

Main Plan



Agency:

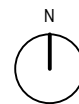


Funded by:

Humanitarian Aid
and Civil Protection - ECHO



Agency : ACTED
Program : Emergency Project
Scale : 1:50
Designer: ACTED Technical Team



Design Code :
BS48

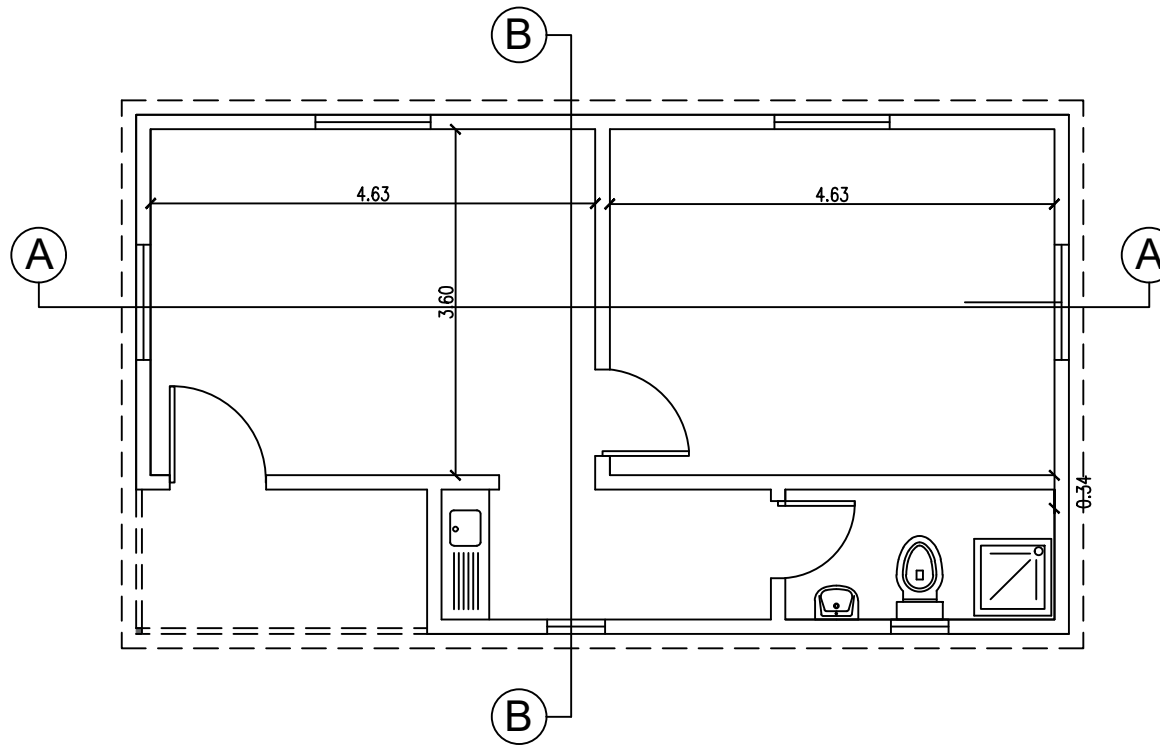
Plan Name :

Residential Block Structure 48m²

Date :

2021

Furniture Plan



Agency:

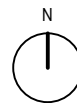


Funded by:

Humanitarian Aid
and Civil Protection - ECHO



Agency : ACTED
Program : Emergency Project
Scale : 1:50
Designer: ACTED Technical Team



Design Code :
BS48

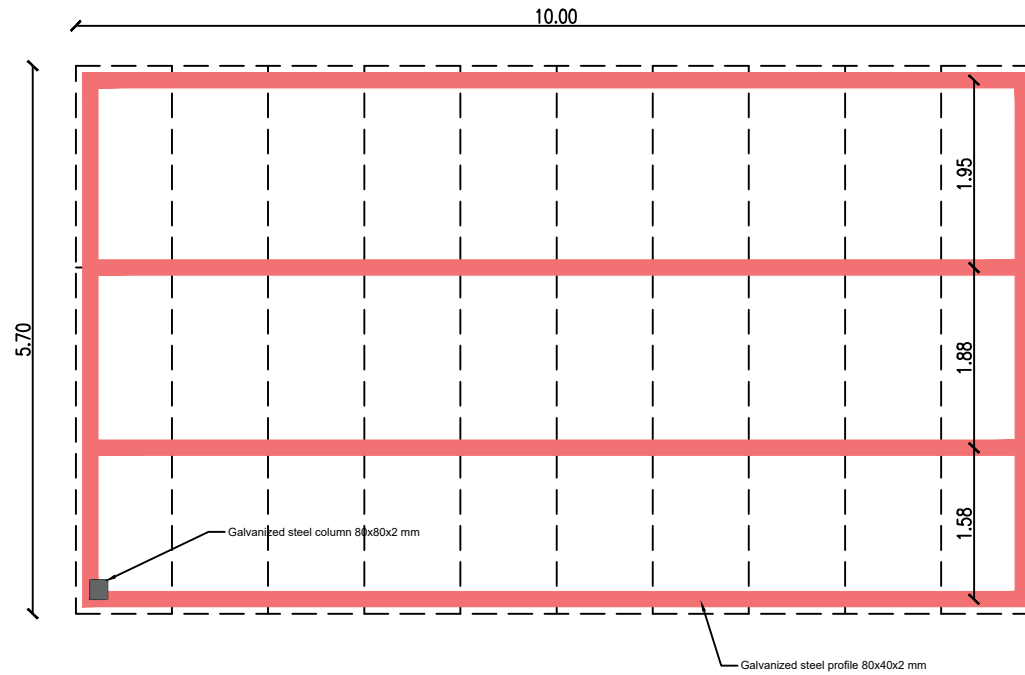
Plan Name :

Residential Block Structure 48m²

Date :

2022

Roof Plan



Agency:



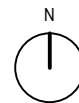
Funded by:

Humanitarian Aid
and Civil Protection - ECHO



Humanitarian Aid
and Civil Protection

Agency : ACTED
Program : Emergency Project
Scale : 1:50
Designer: ACTED Technical Team



Design Code :
BS48

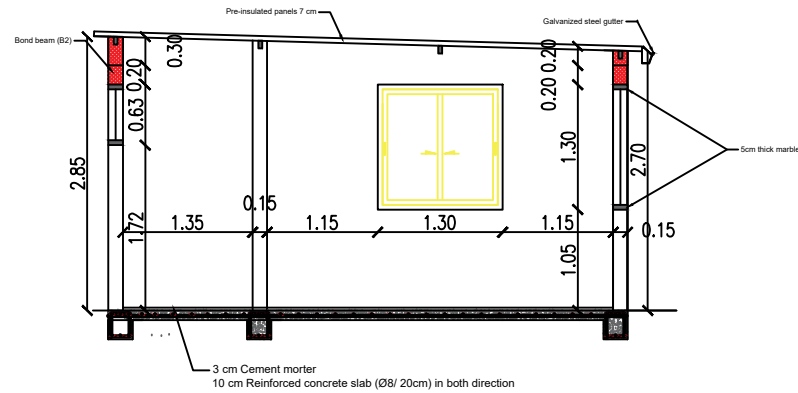
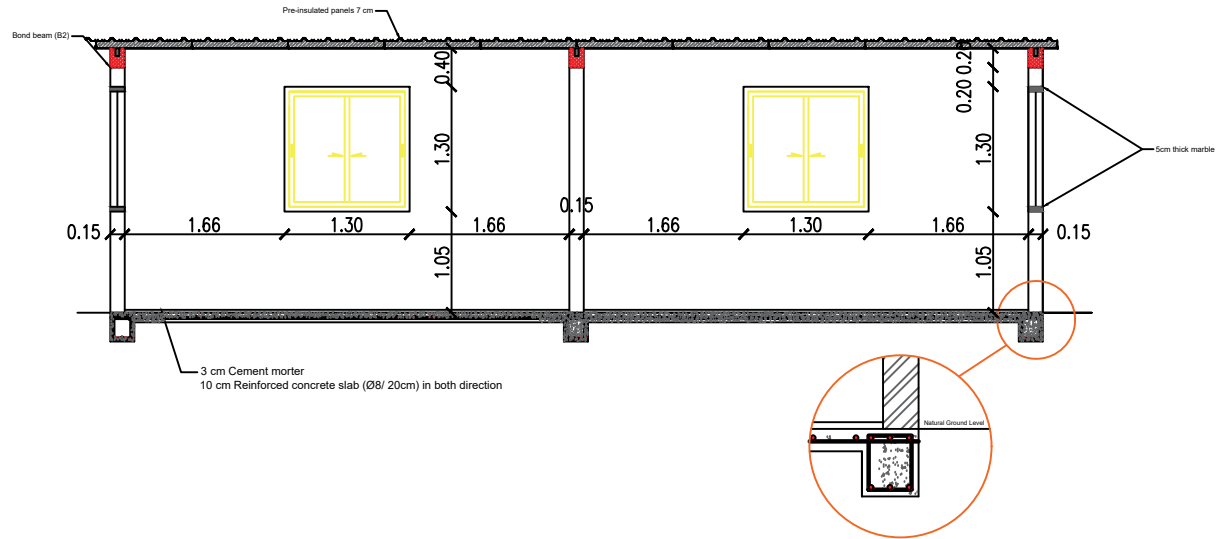
Plan Name :

Residential Block Structure 48m²

Date :

2021

Sections



Agency:

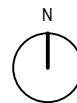


Funded by:

Humanitarian Aid
and Civil Protection - ECHO



Agency : ACTED
Program : Emergency Project
Scale : 1:50
Designer: ACTED Technical Team



Design Code :
BS48

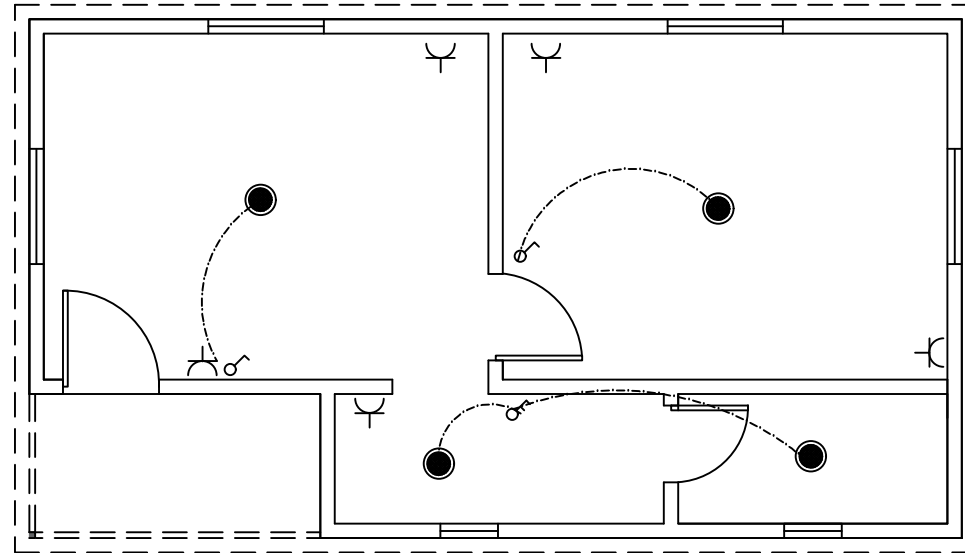
Plan Name :

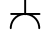
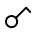
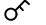
Residential Block Structure 48m²

Date :

2021

Electricity Plan



-  Socket (waterproof)
-  Switch 10A
-  Switch 2*10A

Agency:



Funded by:

Humanitarian Aid
and Civil Protection - ECHO



Agency : ACTED
Program : Emergency Project
Scale : 1:50
Designer: ACTED Technical Team



Design Code :

BS48

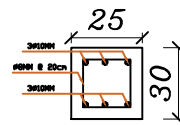
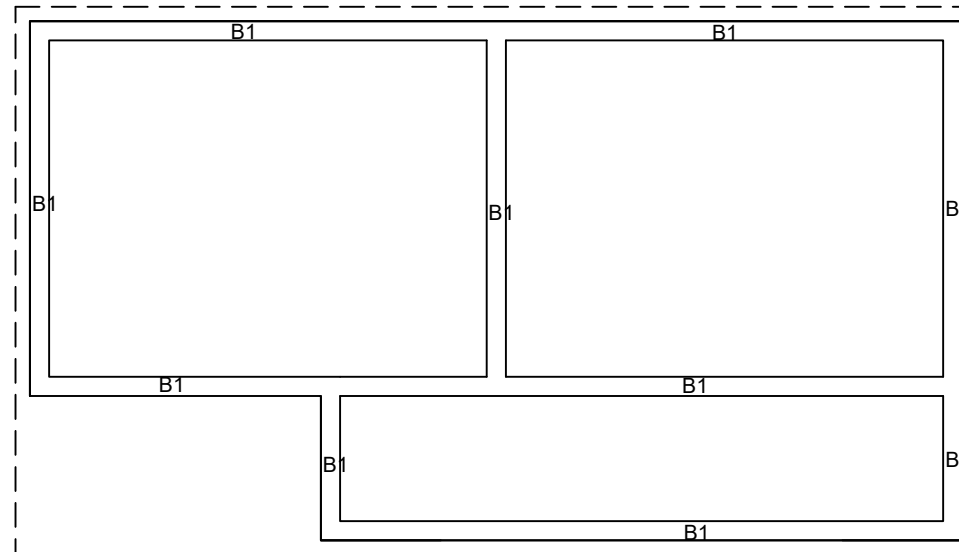
Plan Name :

Residential Block Structure 48m²

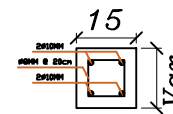
Date :

2021

Beams Plan



Tie Beam (B1)



Bond Beam (B2)

Agency:

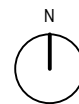


Funded by:

Humanitarian Aid
and Civil Protection - ECHO



Agency : ACTED
Program : Emergency Project
Scale : 1:50
Designer: ACTED Technical Team



Design Code :
BS48

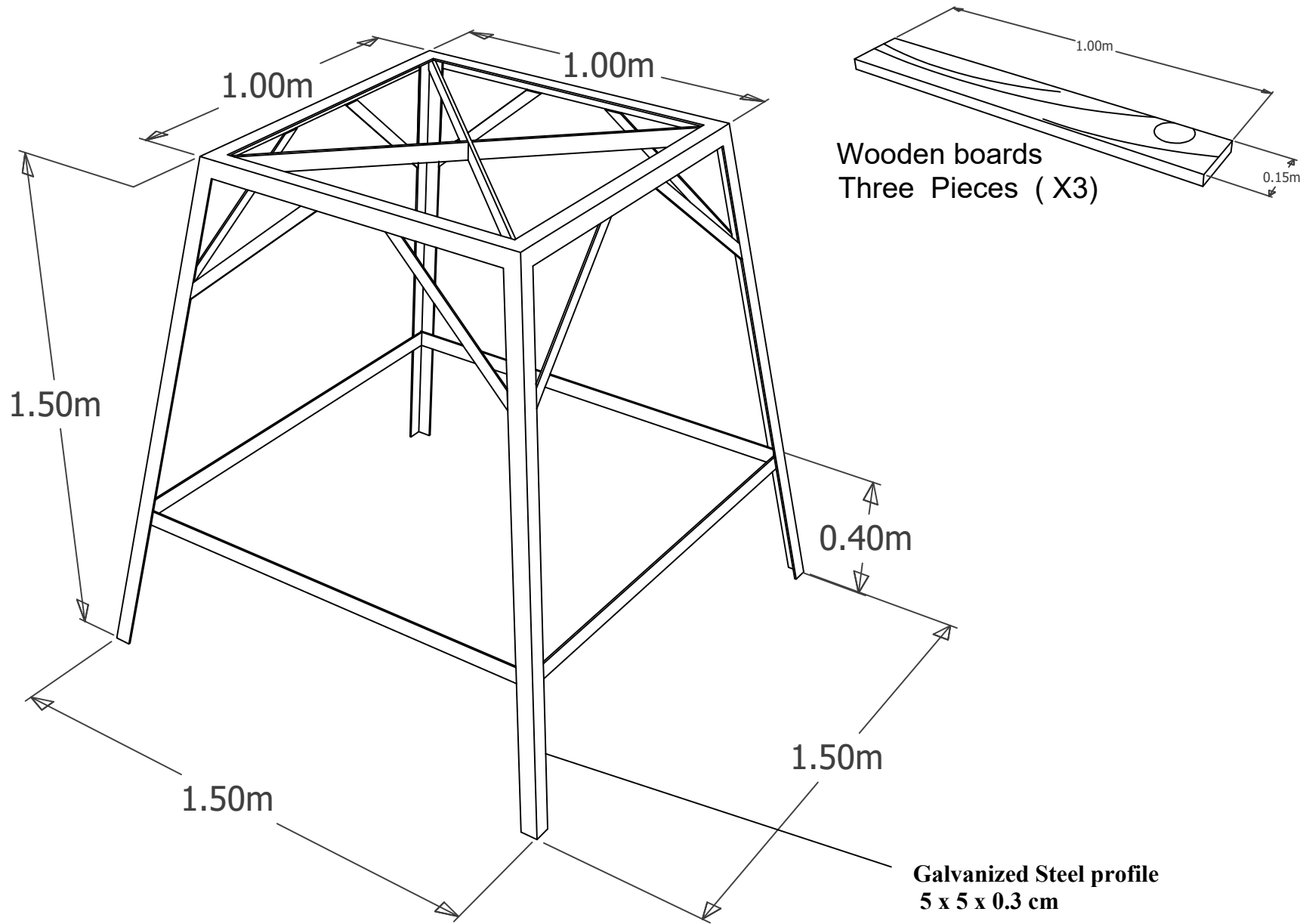
Plan Name :

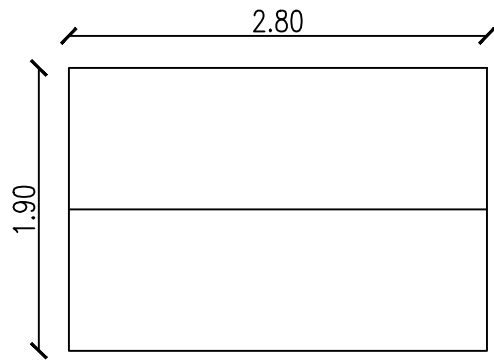
Residential Block Structure 48m²

Date :

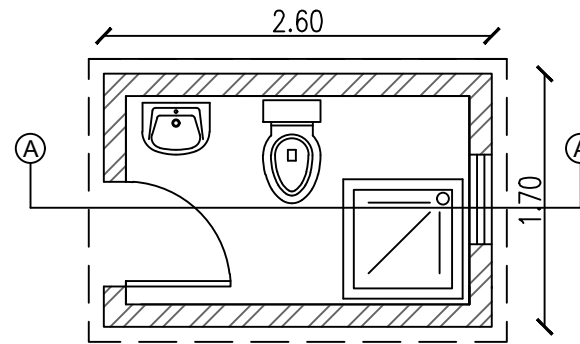
2021

Galvanized steel stand for water tank

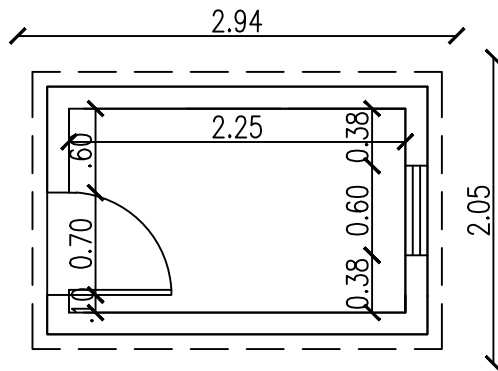




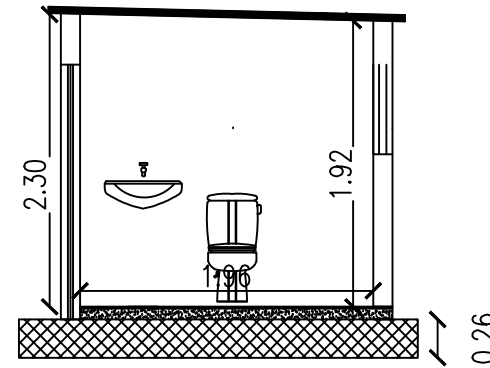
Roof Plan



Main Plan



Dimension Plan



Section A-A

Agency:

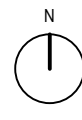


Funded by:

Humanitarian Aid
and Civil Protection - ECHO



Agency : ACTED
Program : Emergency Project
Scale : 1:50
Designer: ACTED Technical Team



Design Code :

FL

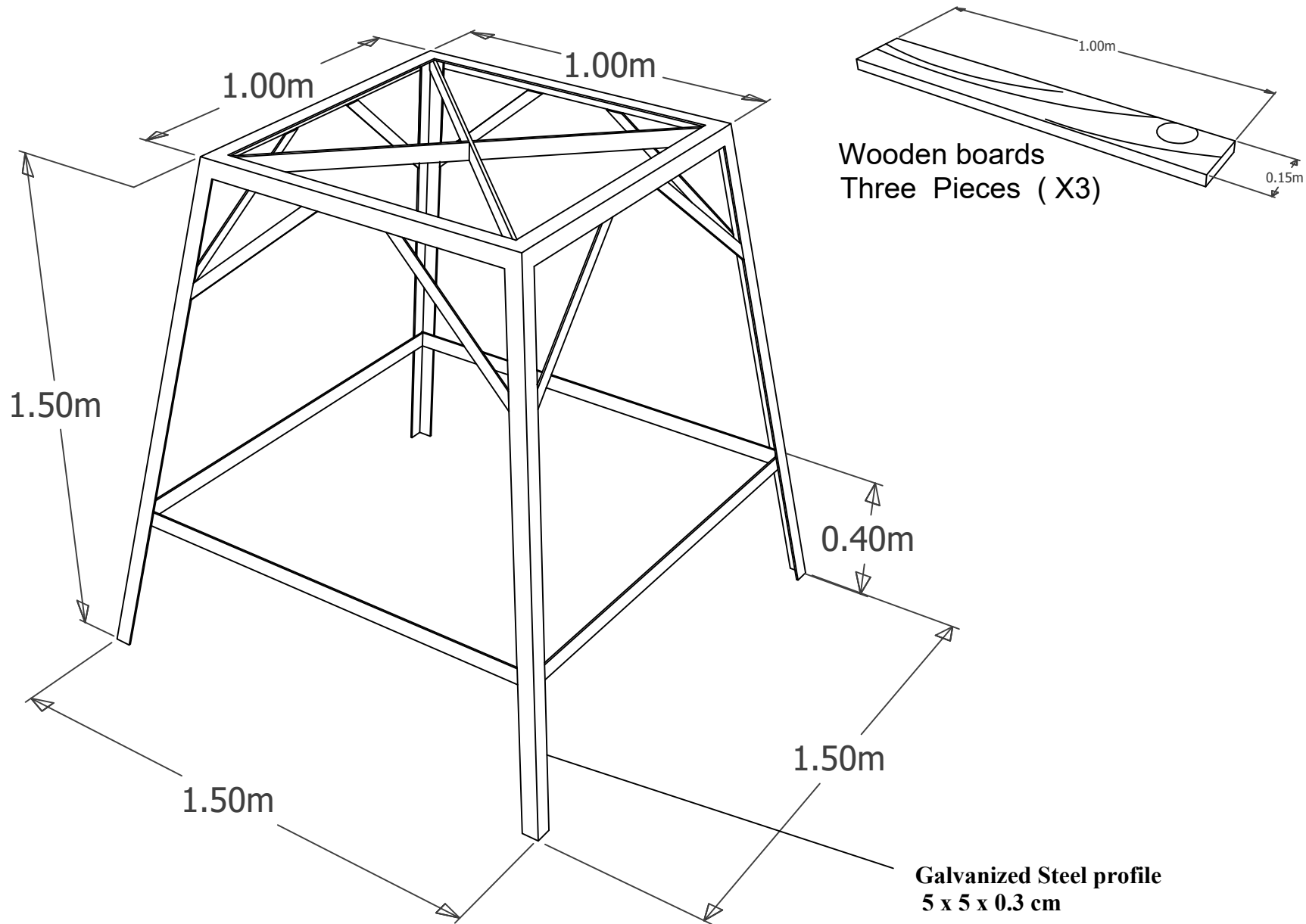
Plan Name :

Fixed Latrine

Date :

2021

Galvanized steel stand for water tank



Agency:

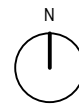


Funded by:

Humanitarian Aid
and Civil Protection - ECHO



Agency : ACTED
Program : Emergency Project
Scale : 1:50
Designer: ACTED Technical Team



Design Code :

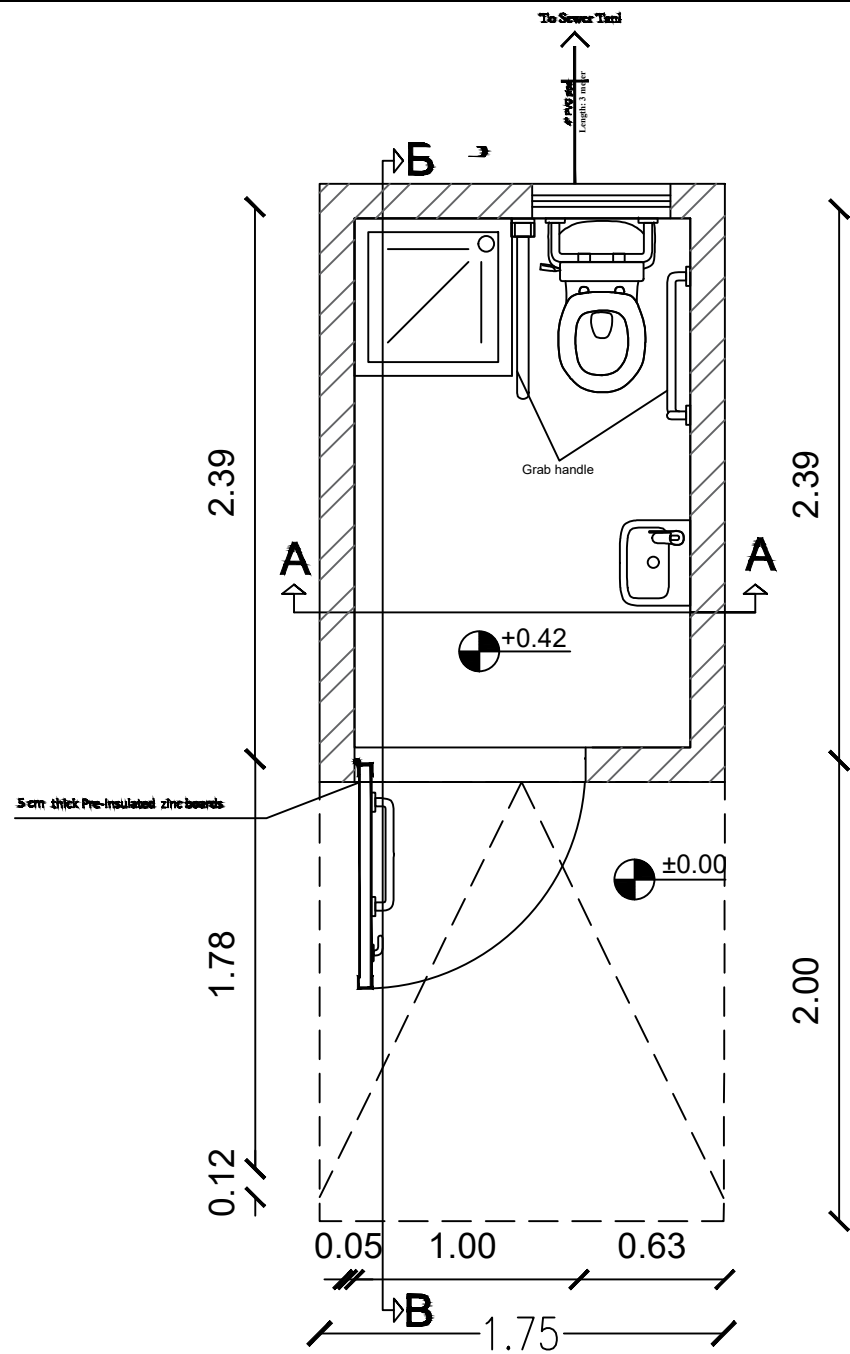
FL

Plan Name :

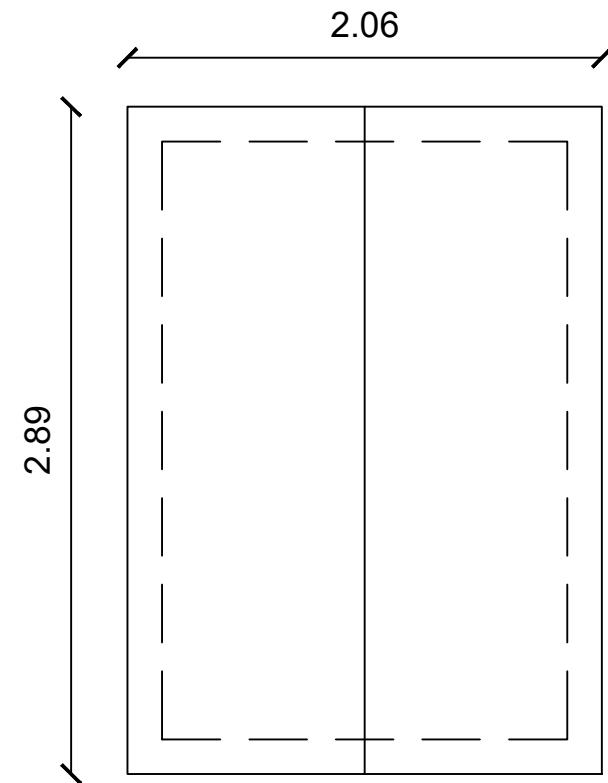
Fixed Latrine

Date :

2021



Main Plan



Roof Plan

Agency:



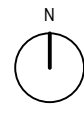
Funded by:

Humanitarian Aid and Civil Protection - ECHO



Humanitarian Aid and Civil Protection

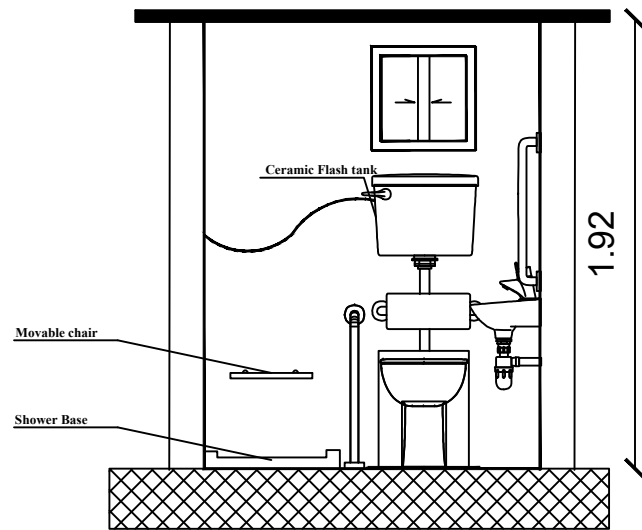
Agency : ACTED
 Program : Emergency Project
 Scale : 1:50
 Designer: ACTED Technical Team



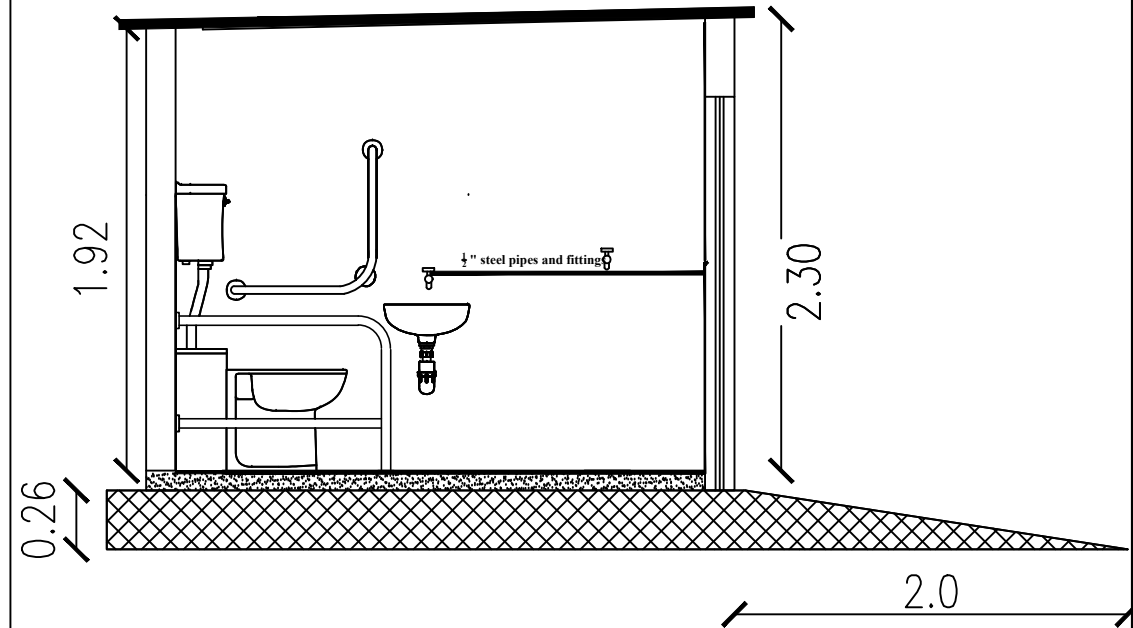
Design Code :
 FPWDL

Plan Name :
 Fixed PWD Latrine

Date :
 2021



Section B-B



Section A-A

Agency:

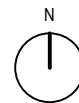


Funded by:

Humanitarian Aid
and Civil Protection - ECHO



Agency : ACTED
Program : Emergency Project
Scale : 1:50
Designer: ACTED Technical Team



Design Code :
FPWDL

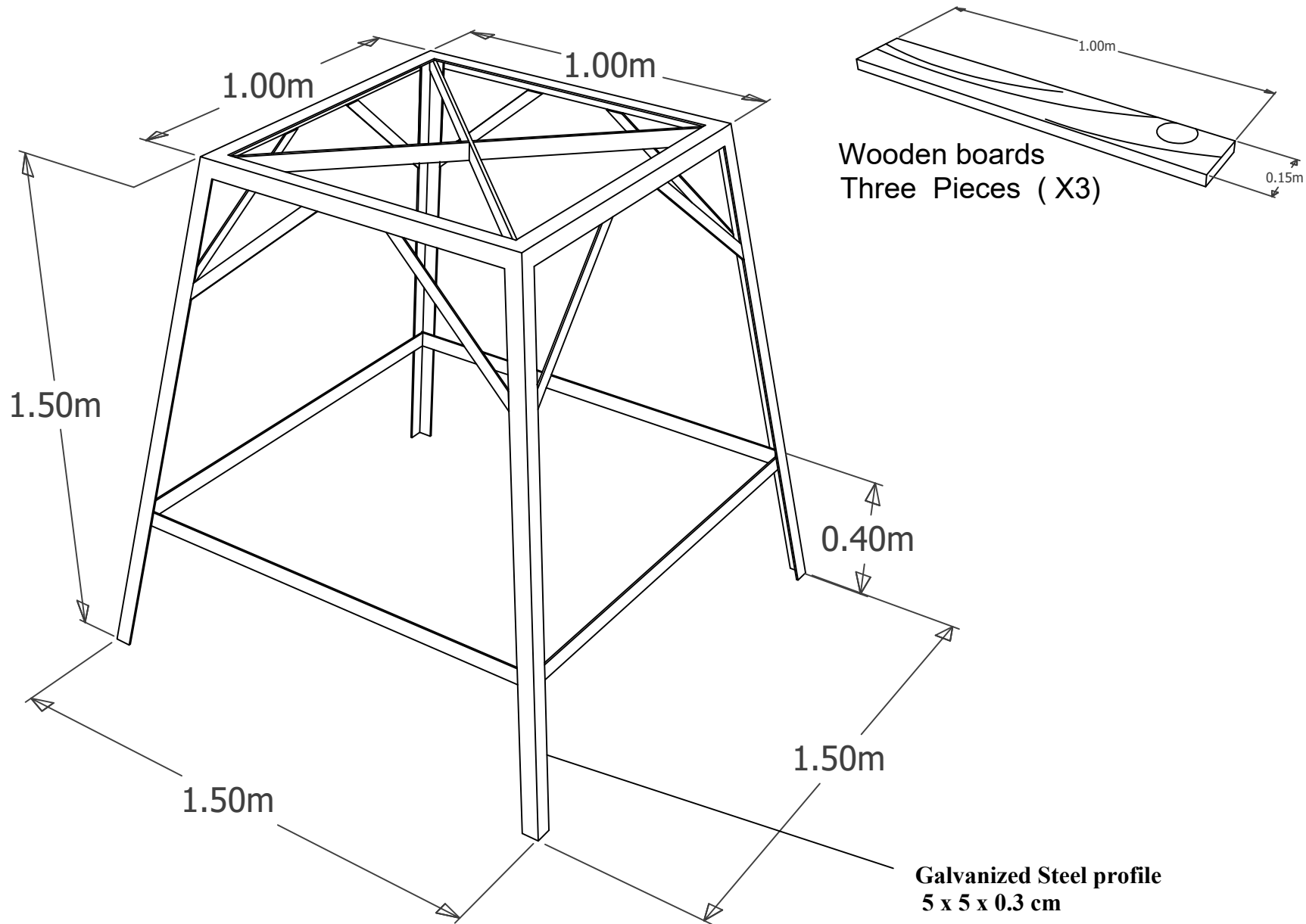
Plan Name :

Fixed PWD Latrine

Date :

2021

Galvanized steel stand for water tank



Agency:

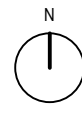


Funded by:

Humanitarian Aid
and Civil Protection - ECHO



Agency : ACTED
Program : Emergency Project
Scale : 1:50
Designer: ACTED Technical Team



Design Code :
FPWDL

Plan Name :

Fixed PWD Latrine

Date :

2021