


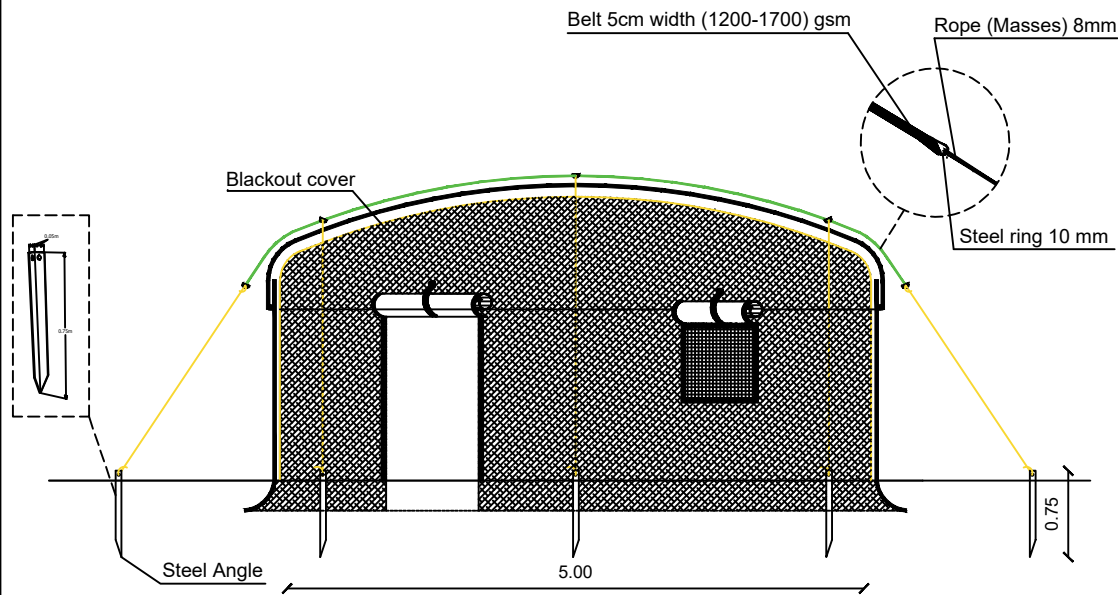
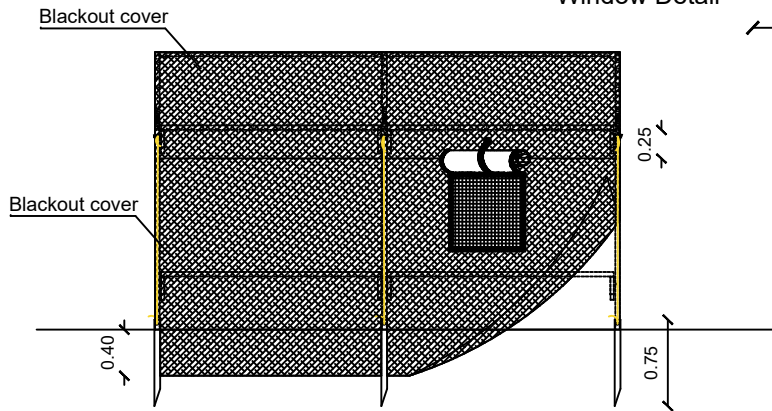
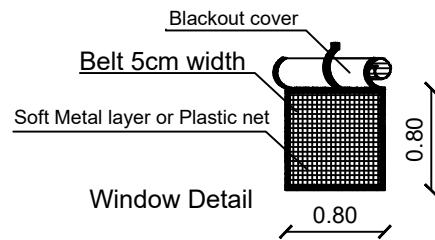
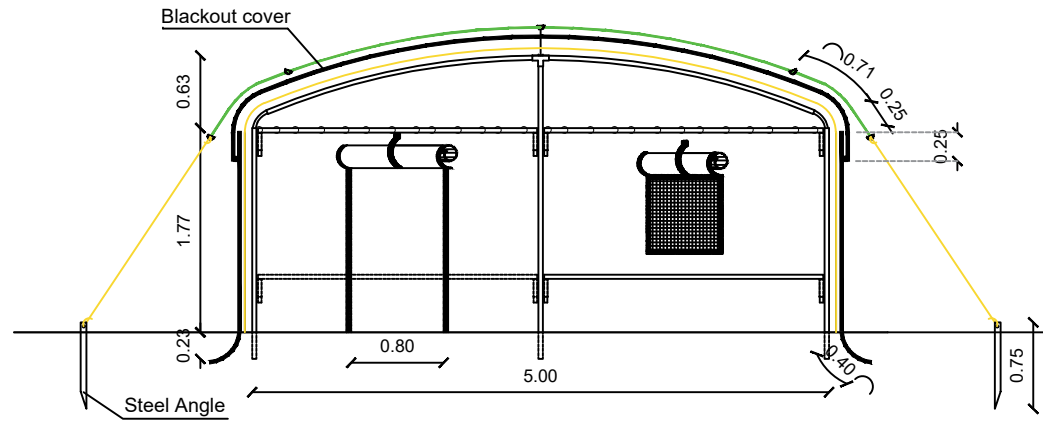
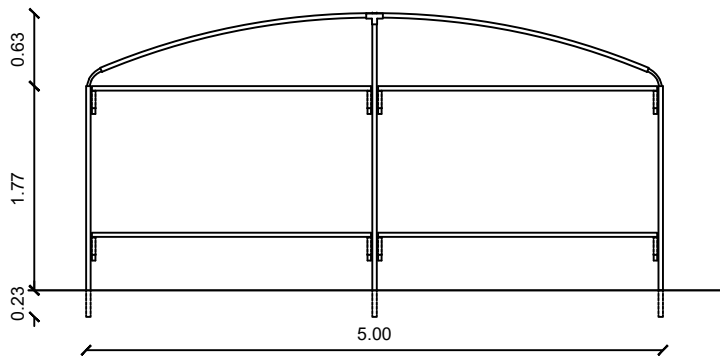


Main Plan

Side Elevation

Agency: 	Funded by: Humanitarian Aid and Civil Protection - ECHO  Humanitarian Aid and Civil Protection	Agency : ACTED Program : Emergency Project Scale : 1:50 Designer: ACTED Technical Team		Design Code : KT20	Plan Name : Kitchen Tent 20 m²	Date : 2021
---	--	---	---	------------------------------	---	-----------------------



Agency:

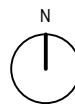


Funded by:

Humanitarian Aid
and Civil Protection - ECHO



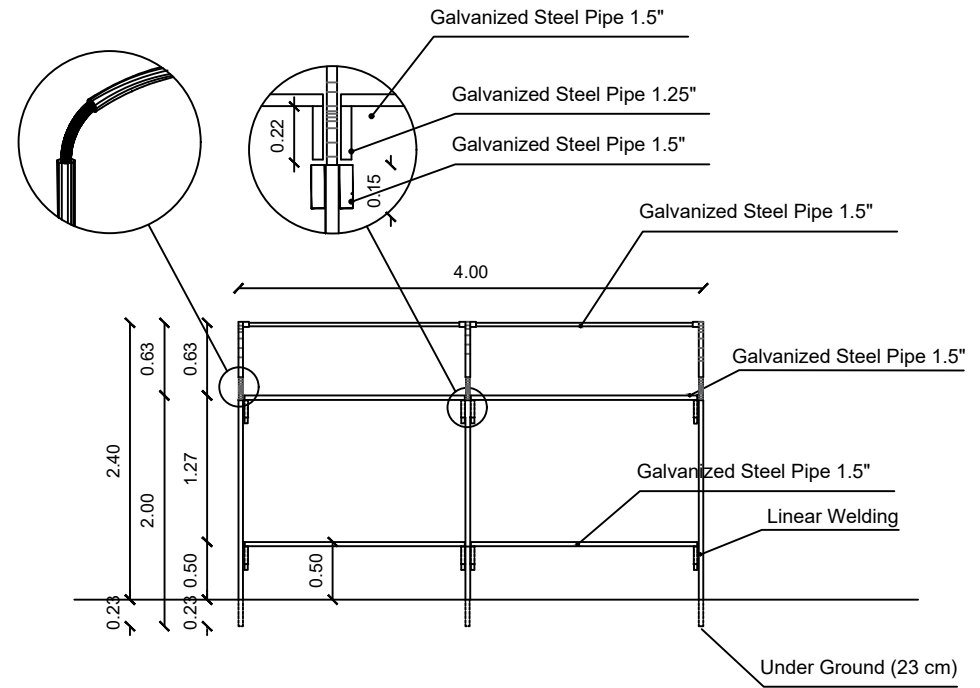
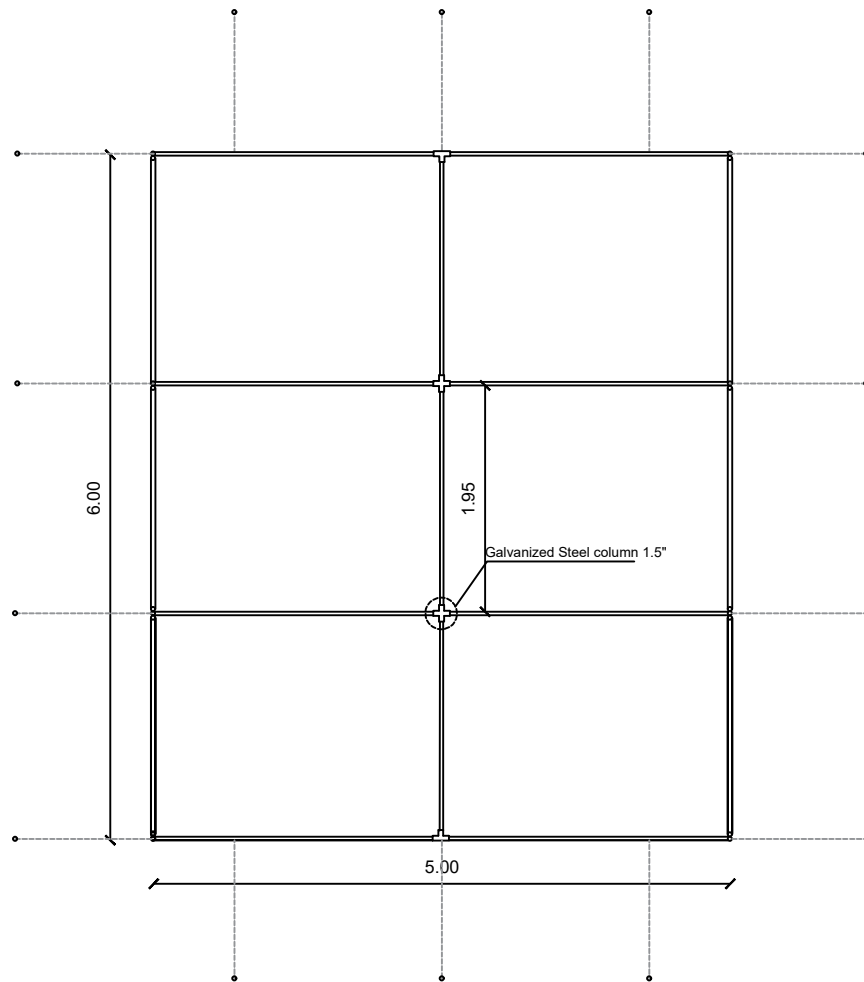
Agency : ACTED
Program : Emergency Project
Scale : 1:50
Designer: ACTED Technical Team



Design Code :
KT20



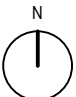
Plan Name :
Kitchen Tent 20 m²

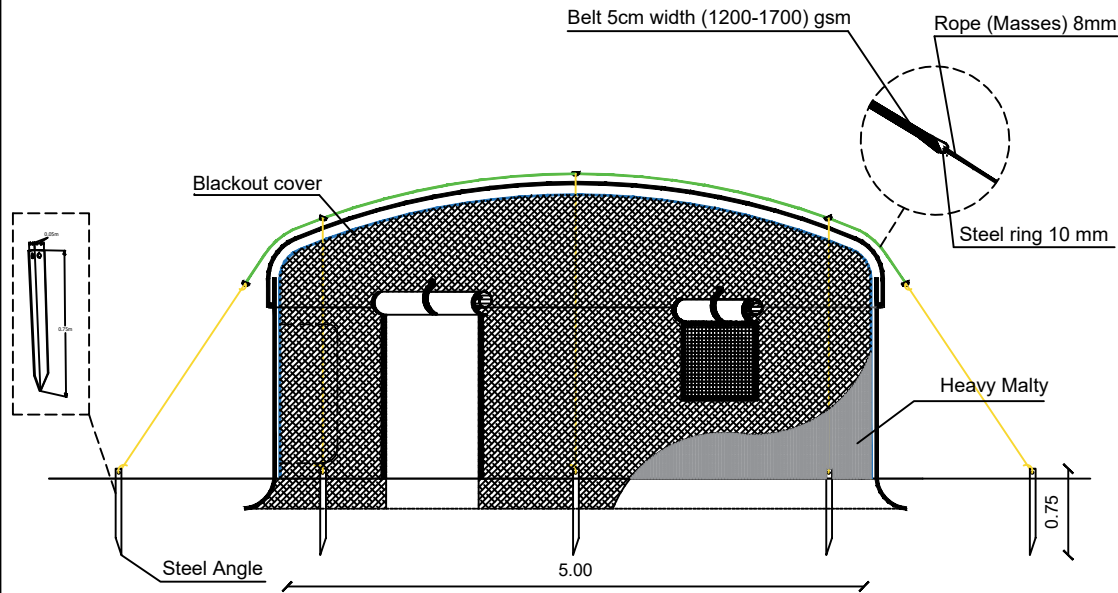
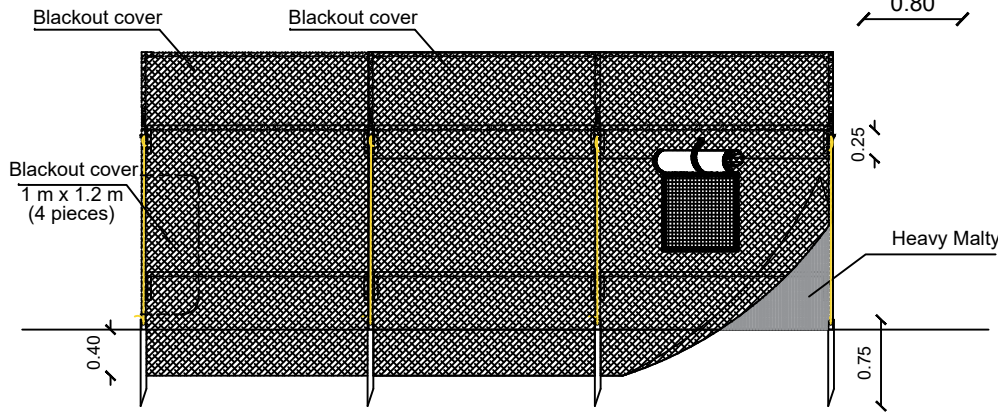
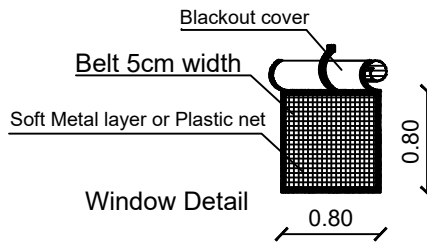
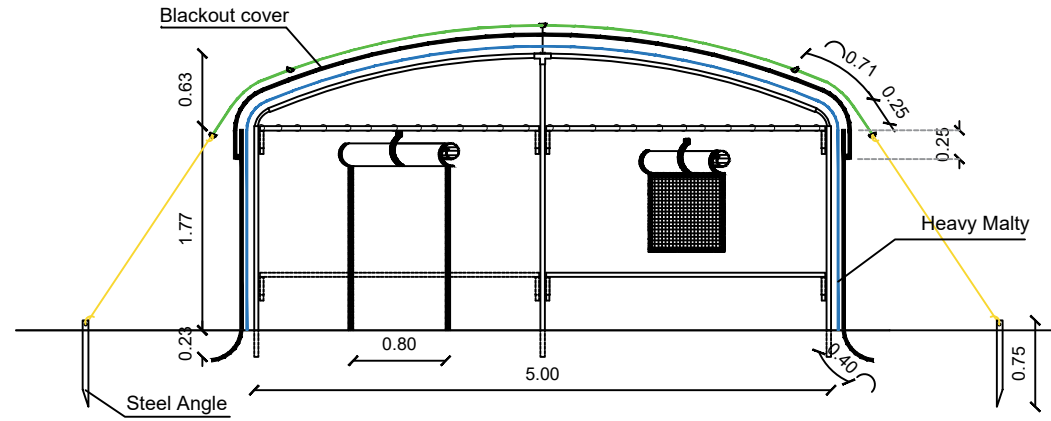
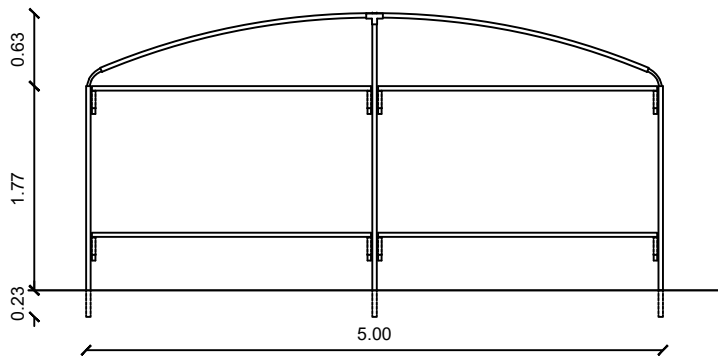
Date :
2021



Main Plan

Side Elevation

Agency: 	Funded by: Humanitarian Aid and Civil Protection - ECHO  Humanitarian Aid and Civil Protection	Agency : ACTED Program : Emergency Project Scale : 1:50 Designer: ACTED Technical Team		Design Code : RT30	Plan Name : Residential Tent 30 m²	Date : 2021
---	--	---	---	------------------------------	---	-----------------------



Agency:

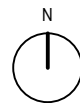


Funded by:

Humanitarian Aid
and Civil Protection - ECHO



Agency : ACTED
Program : Emergency Project
Scale : 1:50
Designer: ACTED Technical Team



Design Code :

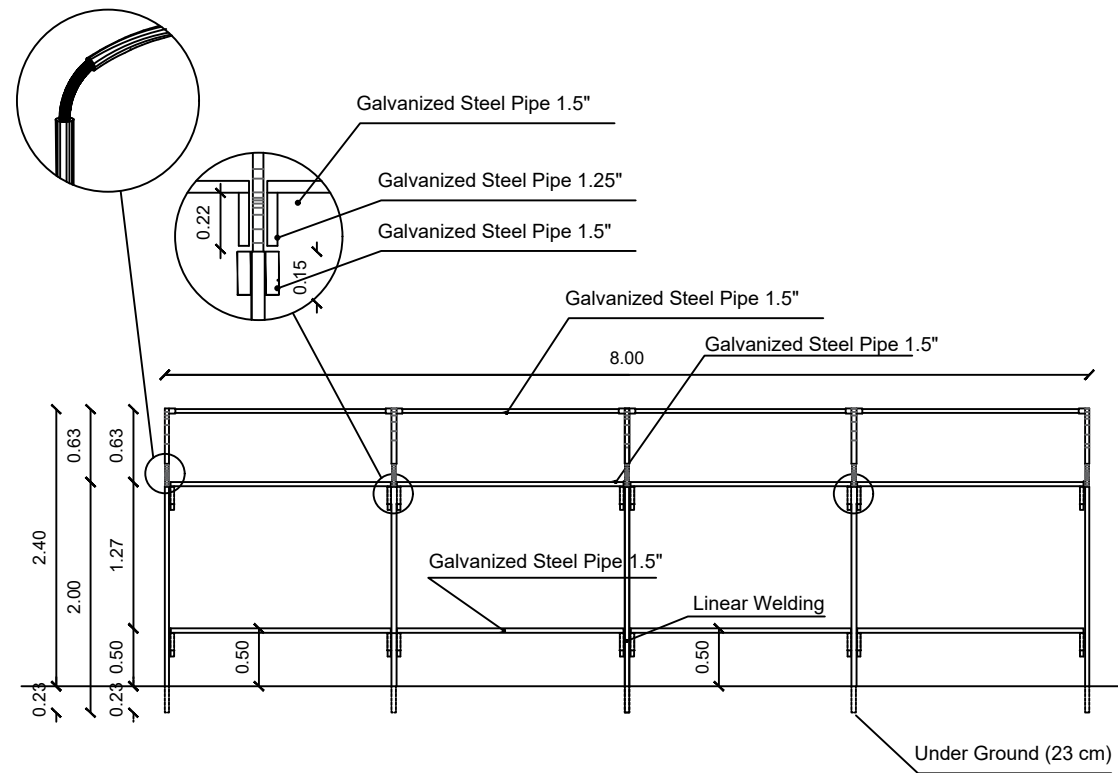
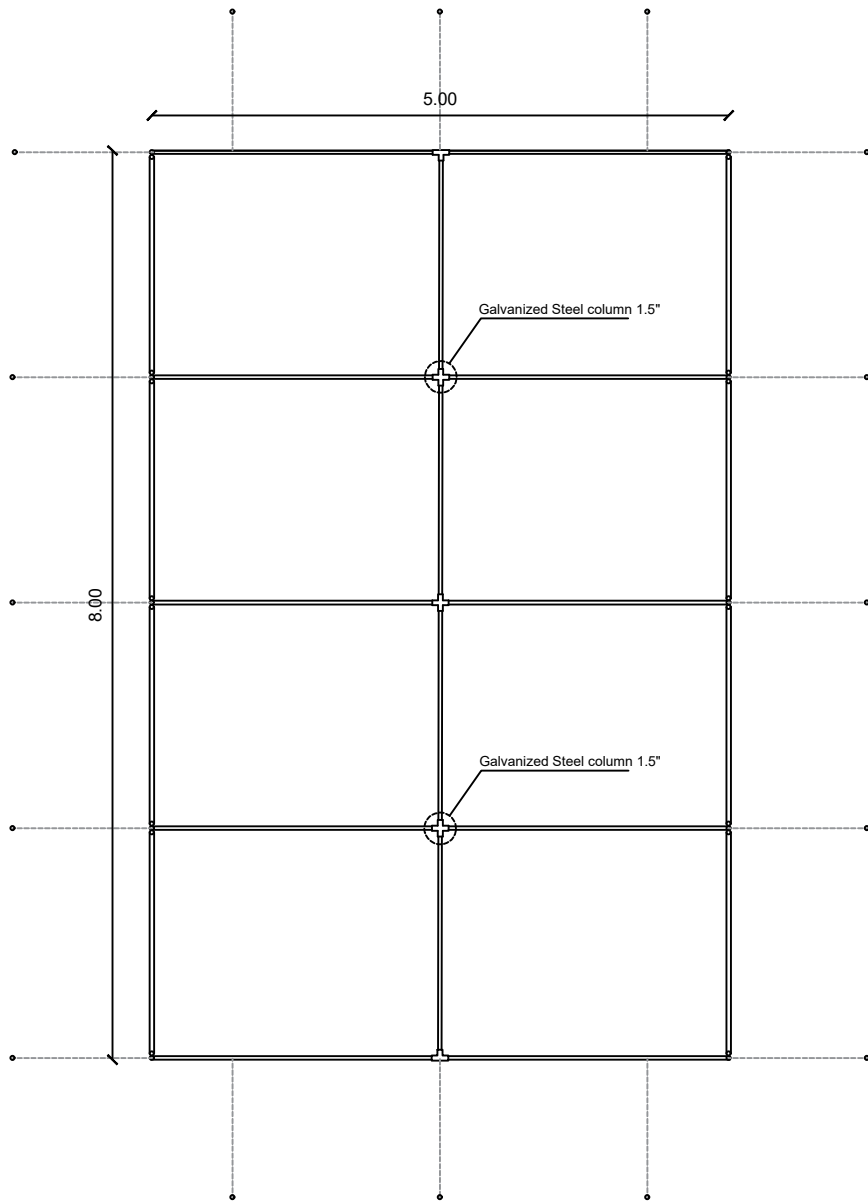
RT30

Plan Name :

Residential Tent 30 m²



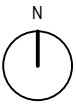
Date :

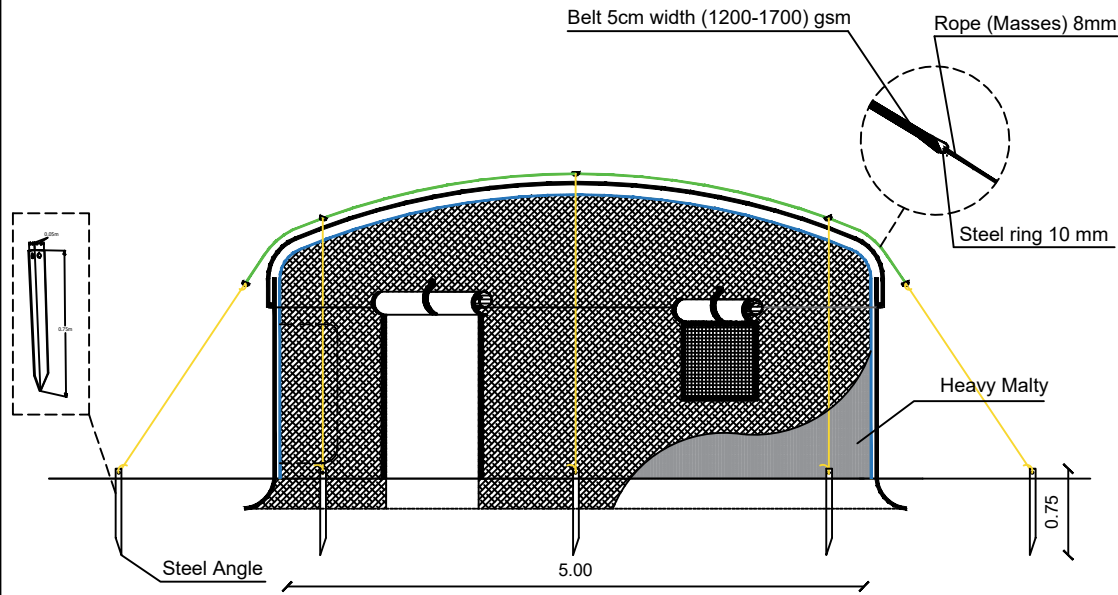
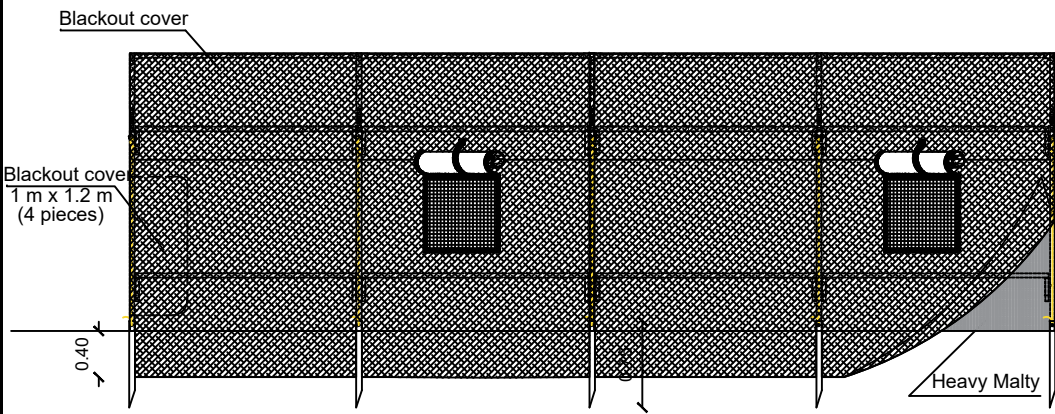
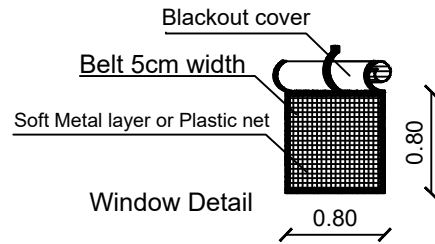
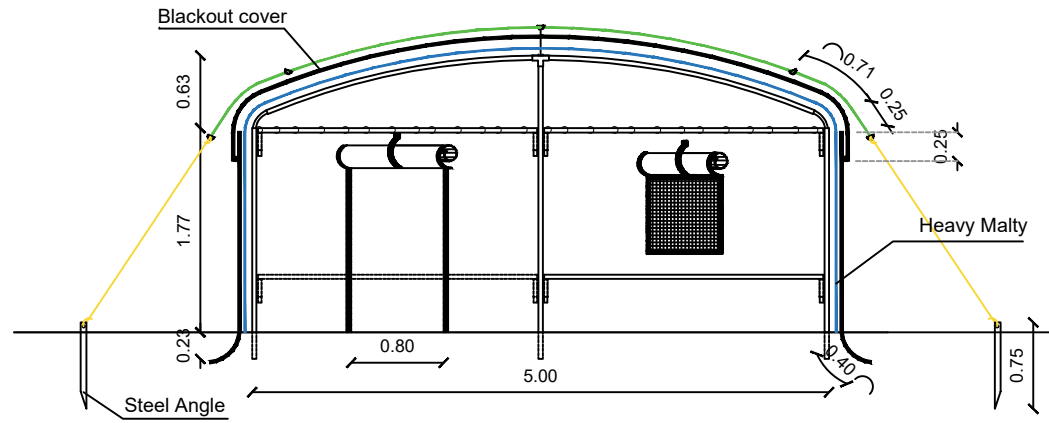
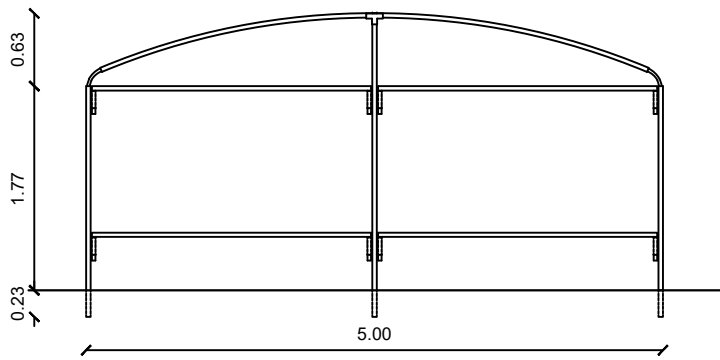
2021



Main Plan

Side Elevation

Agency: 	Funded by: Humanitarian Aid and Civil Protection - ECHO 	Agency : ACTED Program : Emergency Project Scale : 1:50 Designer: ACTED Technical Team		Design Code : RT40	Plan Name : Residential Tent 40 m²	Date : 2021
---	---	---	---	------------------------------	---	-----------------------



Agency:

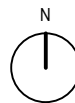


Funded by:

Humanitarian Aid
and Civil Protection - ECHO



Agency : ACTED
Program : Emergency Project
Scale : 1:50
Designer: ACTED Technical Team



Design Code :

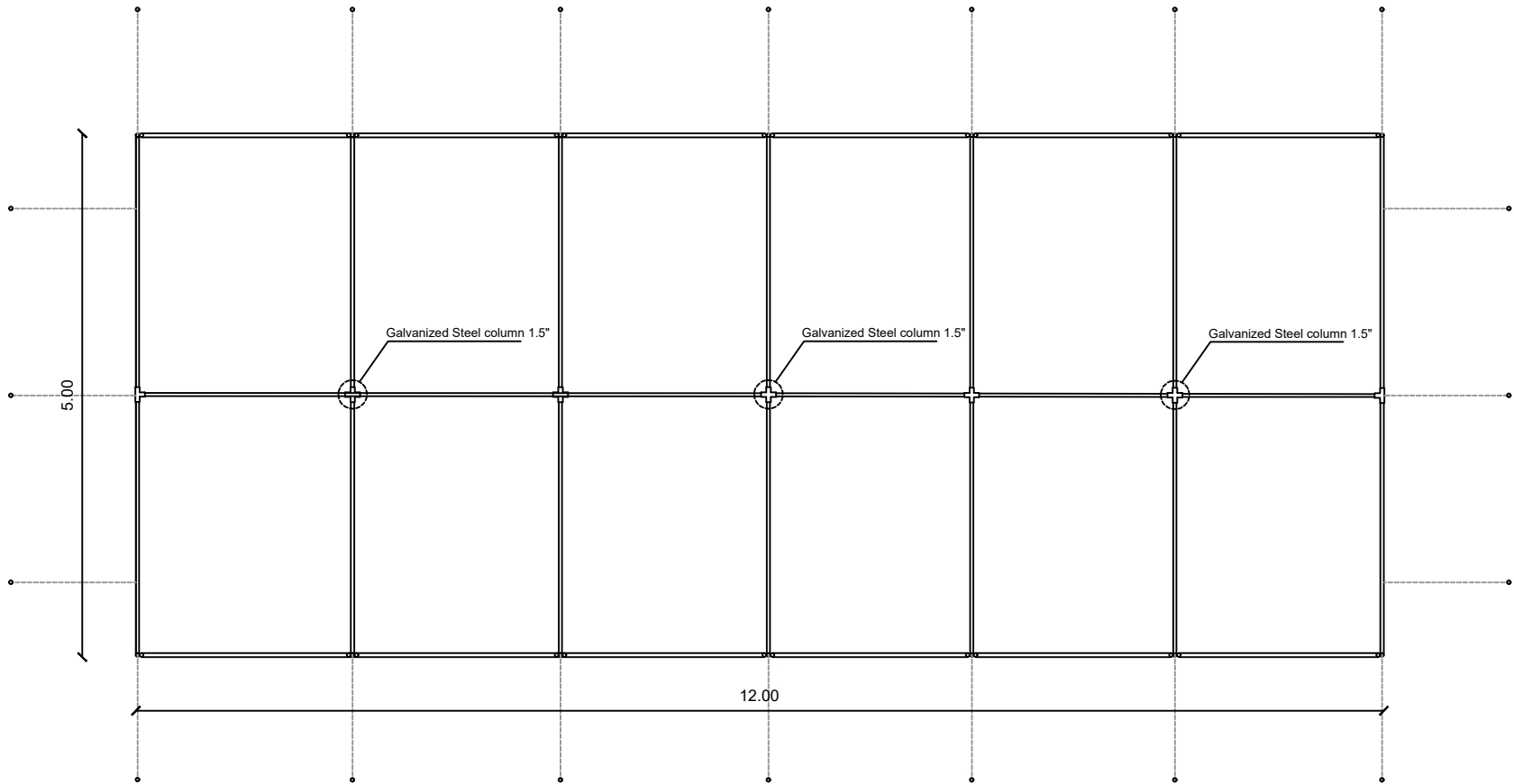
RT40

Plan Name :




Residential Tent 40 m²

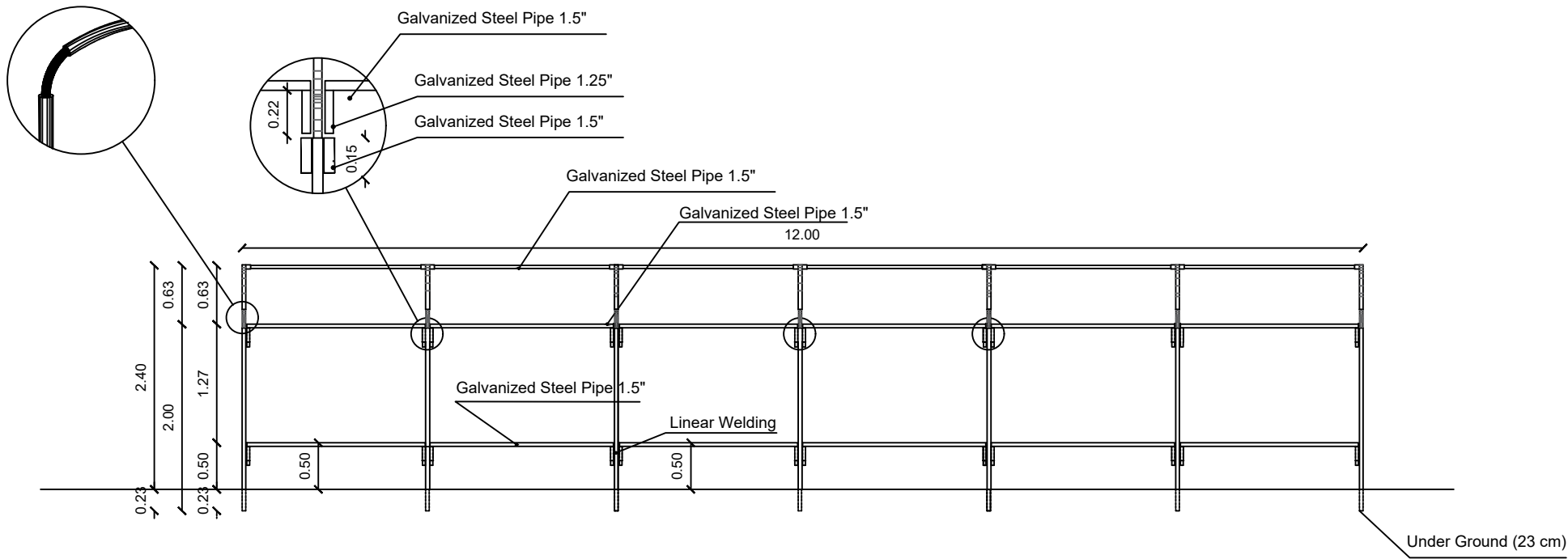
Date :

2021



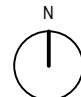


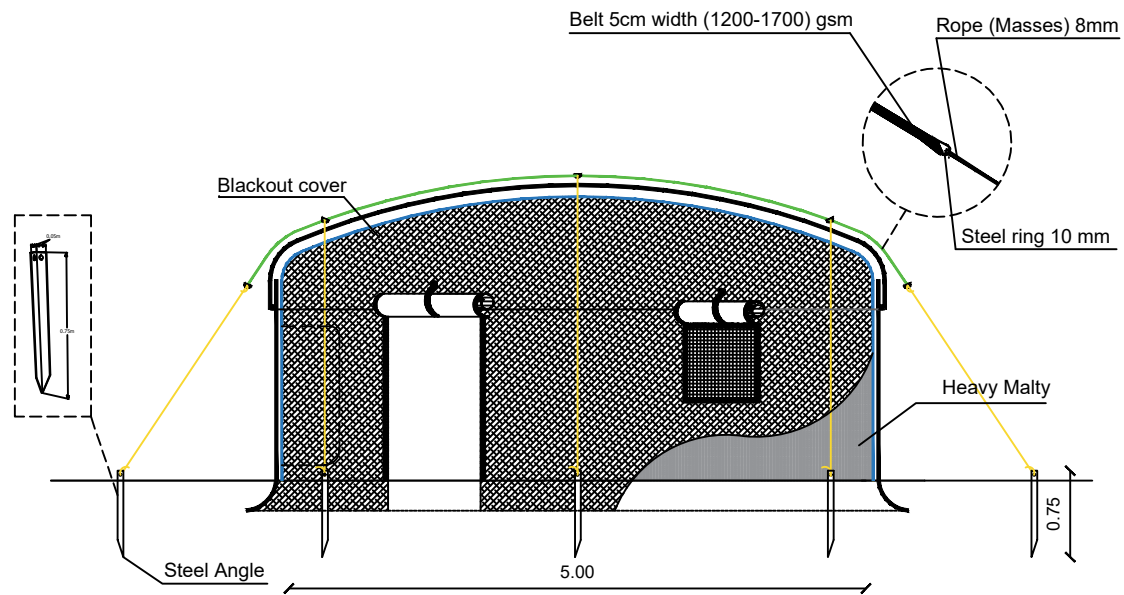
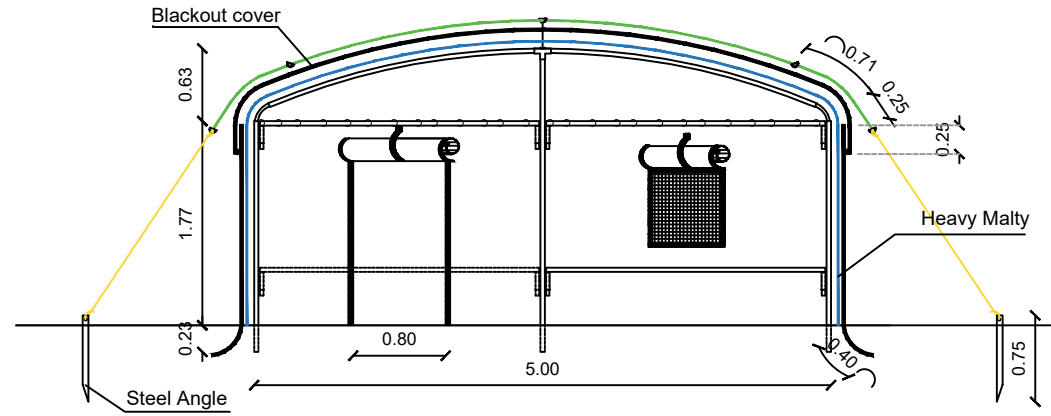
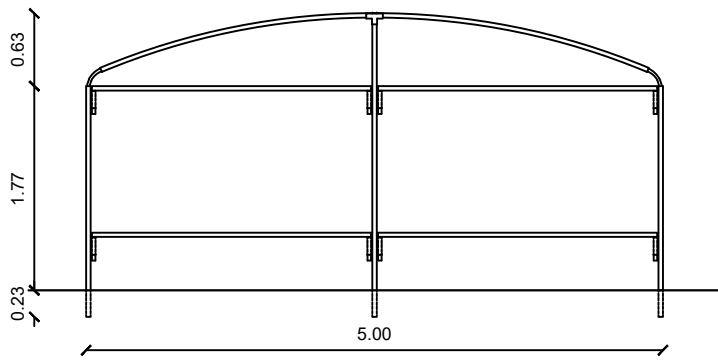
Main Plan

<p>Agency:</p> 	<p>Funded by:</p> <p>Humanitarian Aid and Civil Protection - ECHO</p>  <p>Humanitarian Aid and Civil Protection</p>	<p>Agency : ACTED Program : Emergency Project Scale : 1:50 Designer: ACTED Technical Team</p>	<p>N</p> 	<p>Design Code : RT60</p>	<p>Plan Name : Residential Tent 60 m²</p>	<p>Date : 2021</p>
--	--	--	--	--	---	---------------------------------






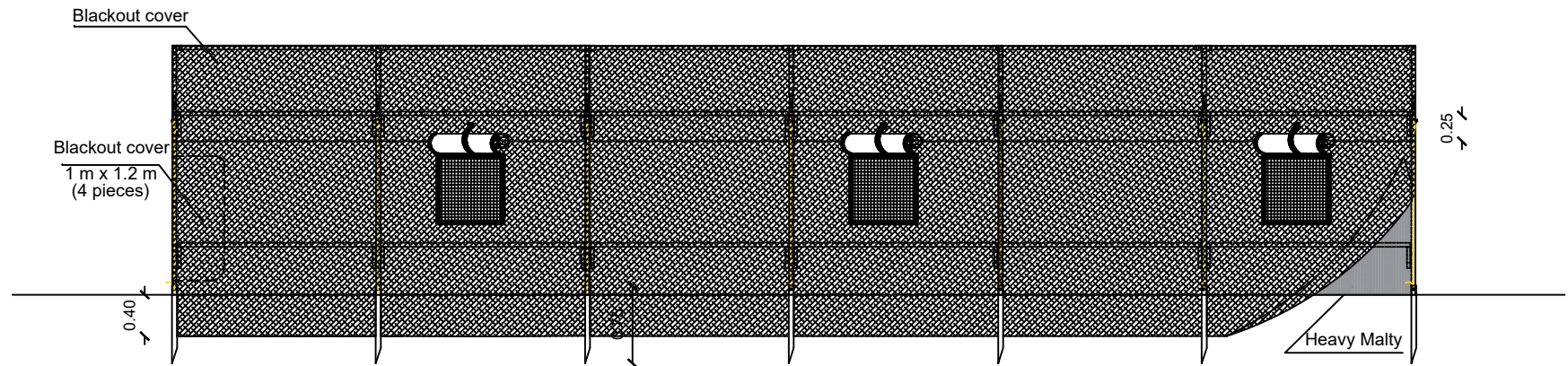
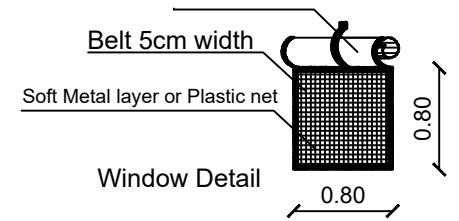
Side Elevation

Agency: 	Funded by: Humanitarian Aid and Civil Protection - ECHO  Humanitarian Aid and Civil Protection	Agency : ACTED Program : Emergency Project Scale : 1:50 Designer: ACTED Technical Team		Design Code : RT60	Plan Name : Residential Tent 60 m²	Date : 2021
---	--	---	---	------------------------------	---	-----------------------



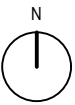


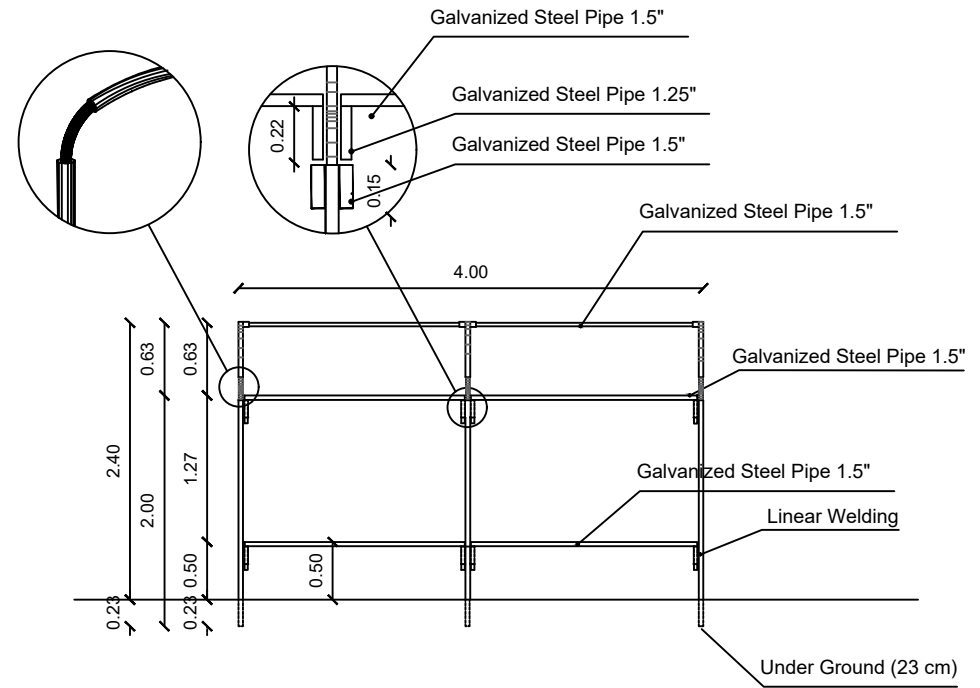
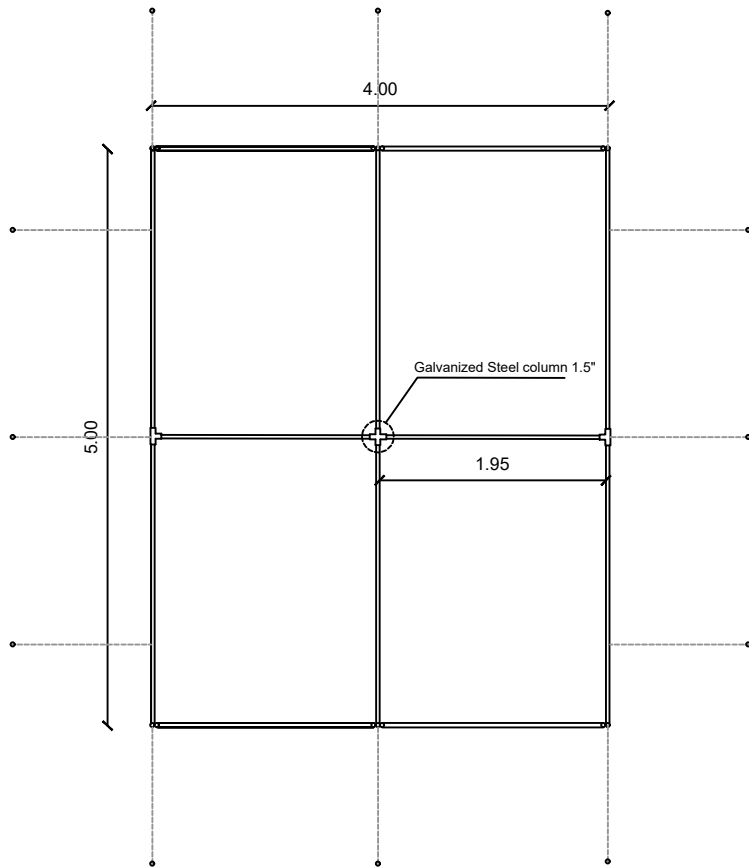
Side Elevation

Agency: 	Funded by: Humanitarian Aid and Civil Protection - ECHO 	Agency : ACTED Program : Emergency Project Scale : 1:50 Designer: ACTED Technical Team		Design Code : RT60	Plan Name : Residential Tent 60 m²	Date : 2021
---	--	---	---	------------------------------	---	-----------------------






Side Elevation

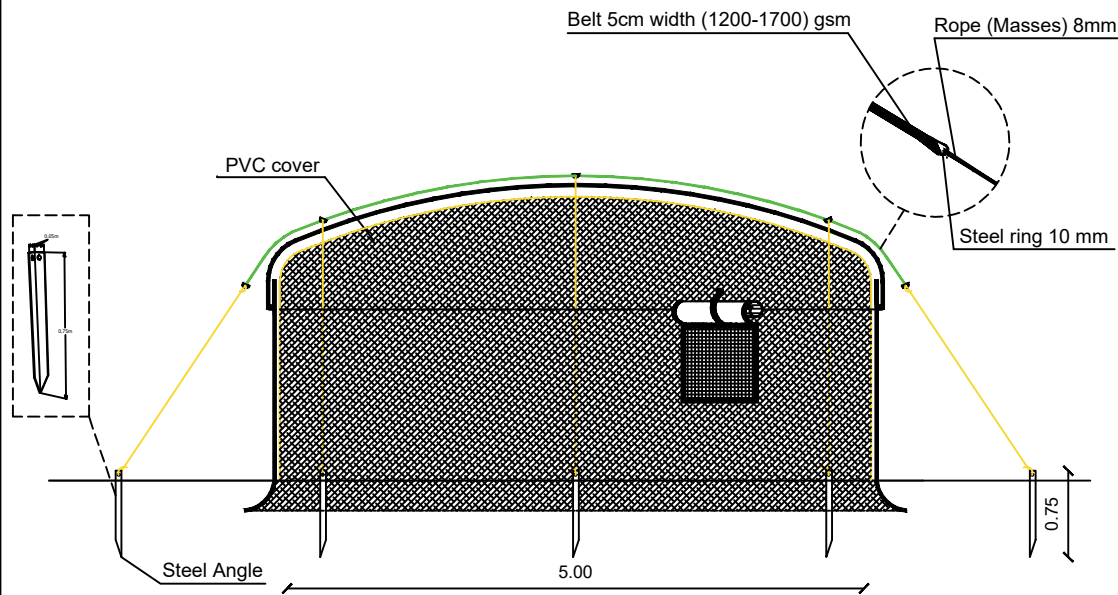
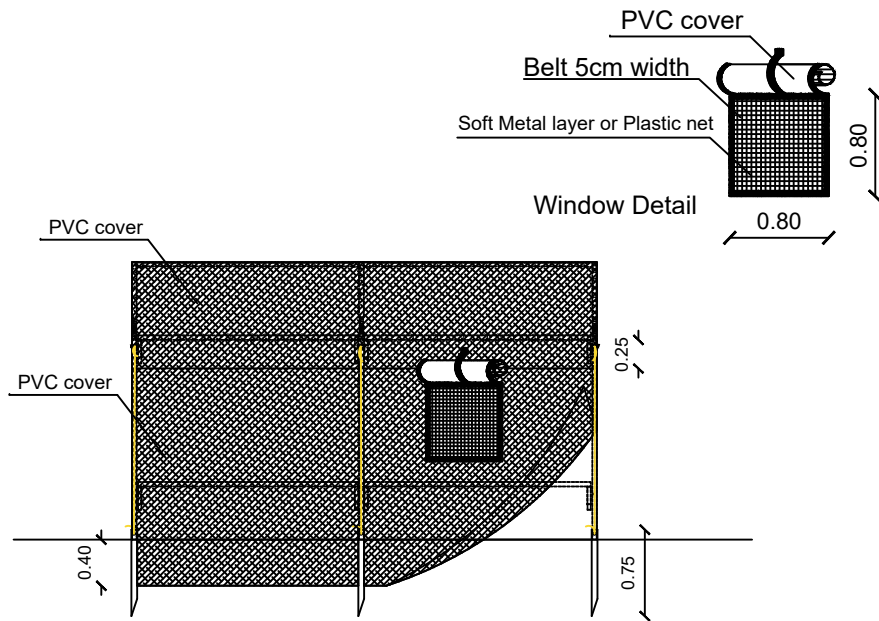
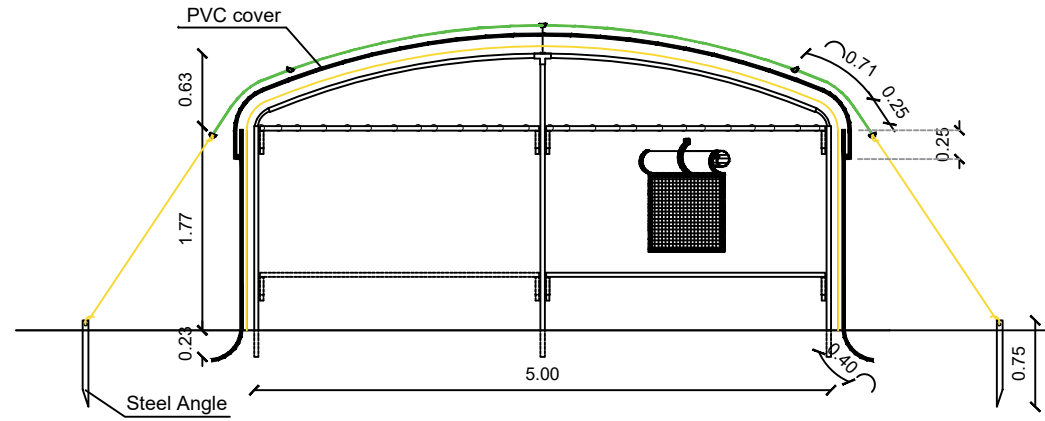
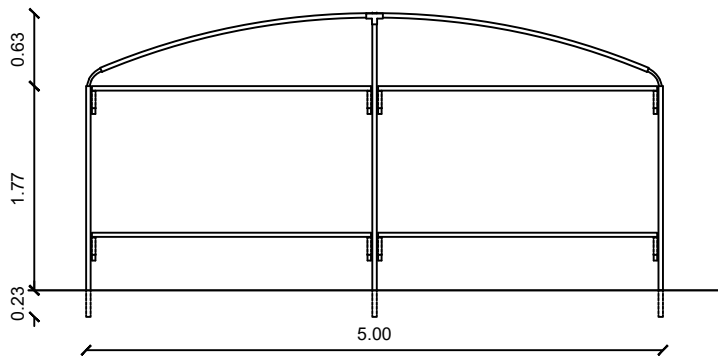
Agency: 	Funded by: Humanitarian Aid and Civil Protection - ECHO 	Agency : ACTED Program : Emergency Project Scale : 1:50 Designer: ACTED Technical Team		Design Code : RT60	Plan Name : Residential Tent 60 m ²	Date : 2021
--	--	---	---	-----------------------	---	----------------



Main Plan

Side Elevation

<p>Agency:</p> 	<p>Funded by:</p> <p>Humanitarian Aid and Civil Protection - ECHO</p> 	<p>Agency : ACTED Program : Emergency Project Scale : 1:50 Designer: ACTED Technical Team</p>	<p>N</p> 	<p>Design Code : LT20</p>	<p>Plan Name : Livelihood Tent 20 m²</p>	<p>Date : 2021</p>
--	---	--	--	--	--	---------------------------------



Agency:



Funded by:

Humanitarian Aid
and Civil Protection - ECHO



Agency : ACTED
Program : Emergency Project
Scale : 1:50
Designer: ACTED Technical Team



Design Code :

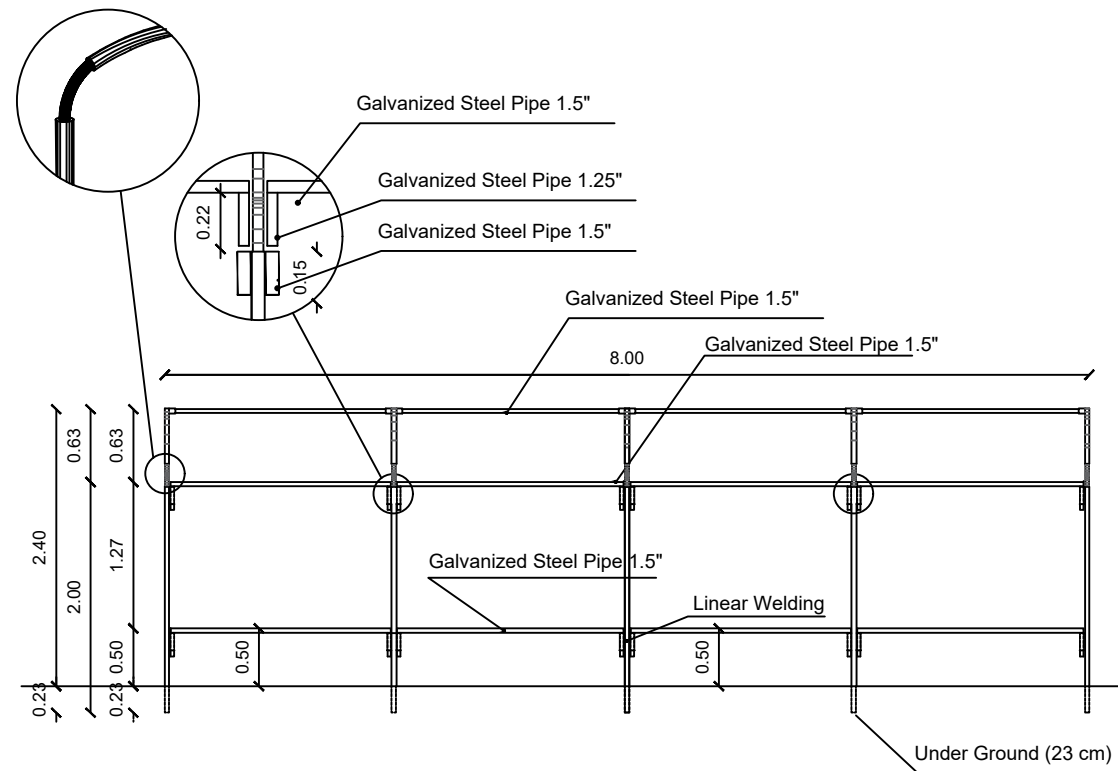
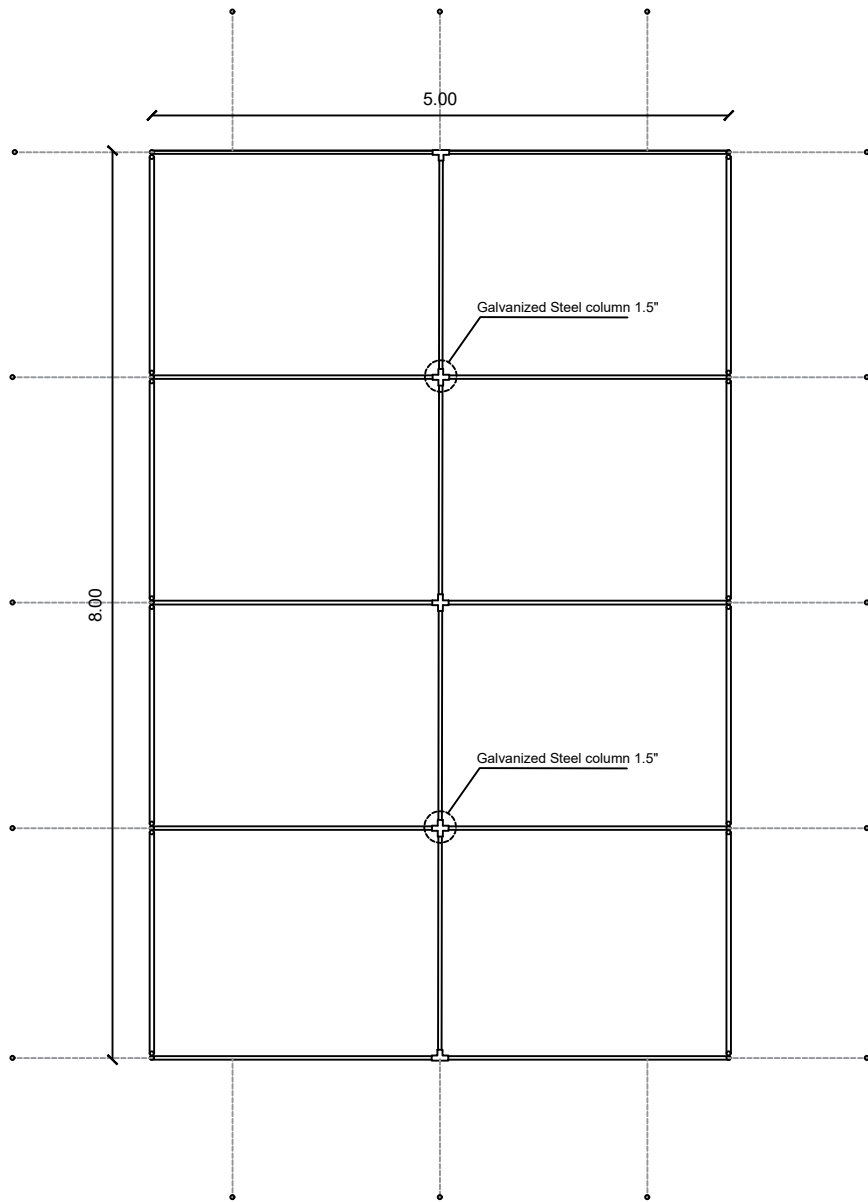
LT20

Plan Name :

Livelihood Tent 20 m²




Date :

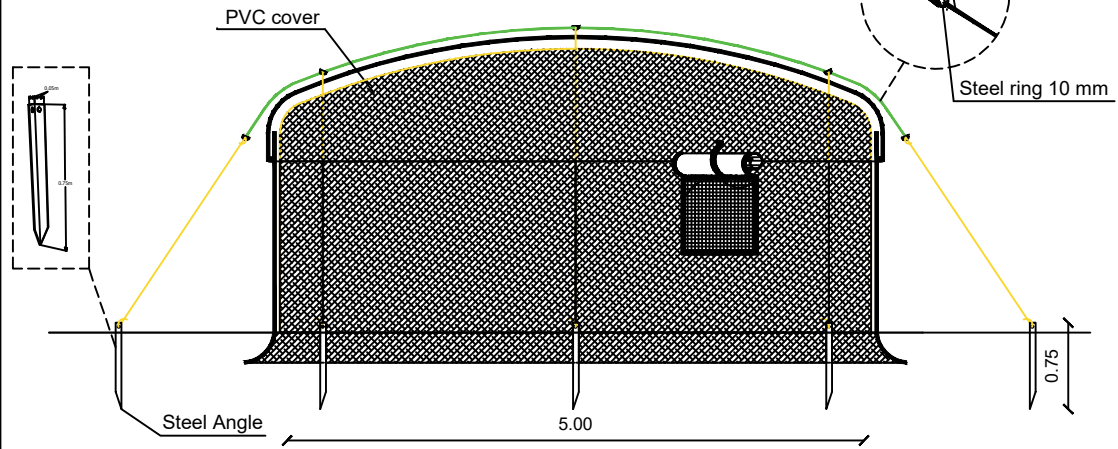
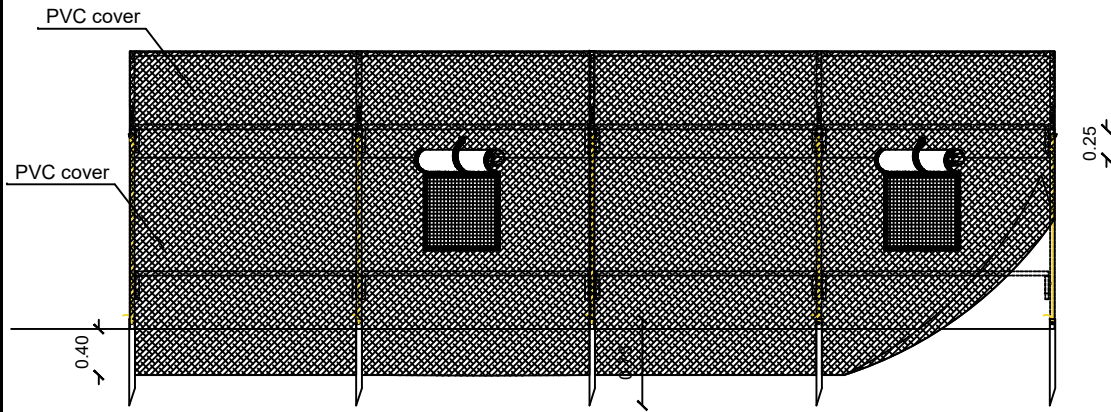
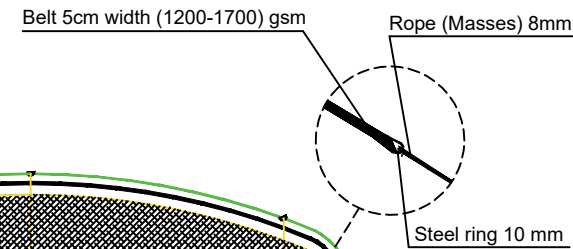
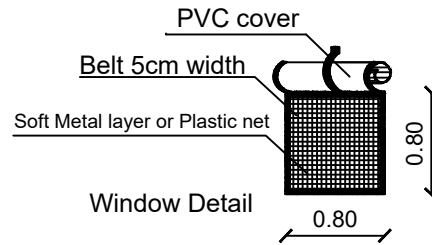
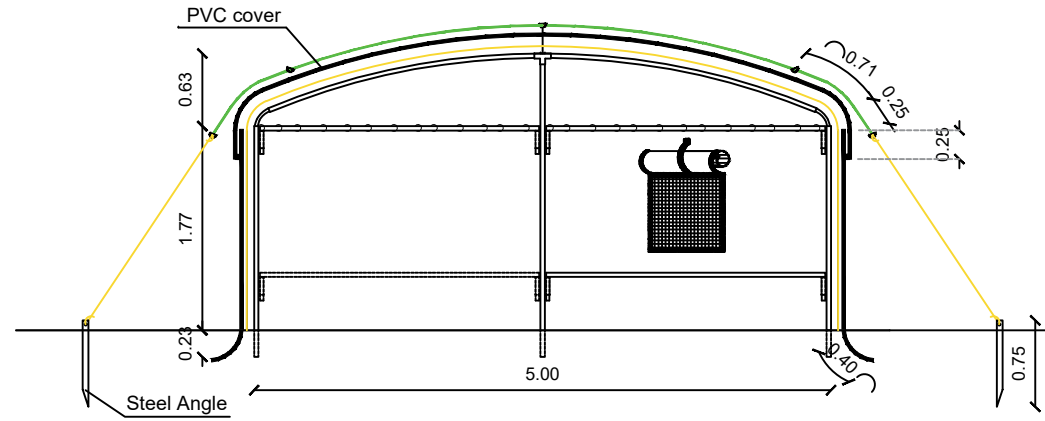
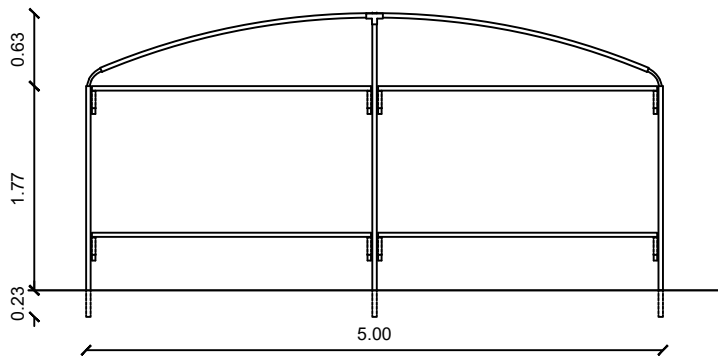
2021



Main Plan

Side Elevation

<p>Agency:</p> 	<p>Funded by:</p> <p>Humanitarian Aid and Civil Protection - ECHO</p> 	<p>Agency : ACTED Program : Emergency Project Scale : 1:50 Designer: ACTED Technical Team</p>	<p>N</p> 	<p>Design Code : LT40</p>	<p>Plan Name : Livelihood Tent 40 m²</p>	<p>Date : 2021</p>
--	---	--	--	--	--	---------------------------------



Agency:



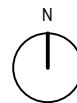
Funded by:

Humanitarian Aid
and Civil Protection - ECHO



Humanitarian Aid
and Civil Protection

Agency : ACTED
Program : Emergency Project
Scale : 1:50
Designer: ACTED Technical Team



Design Code :

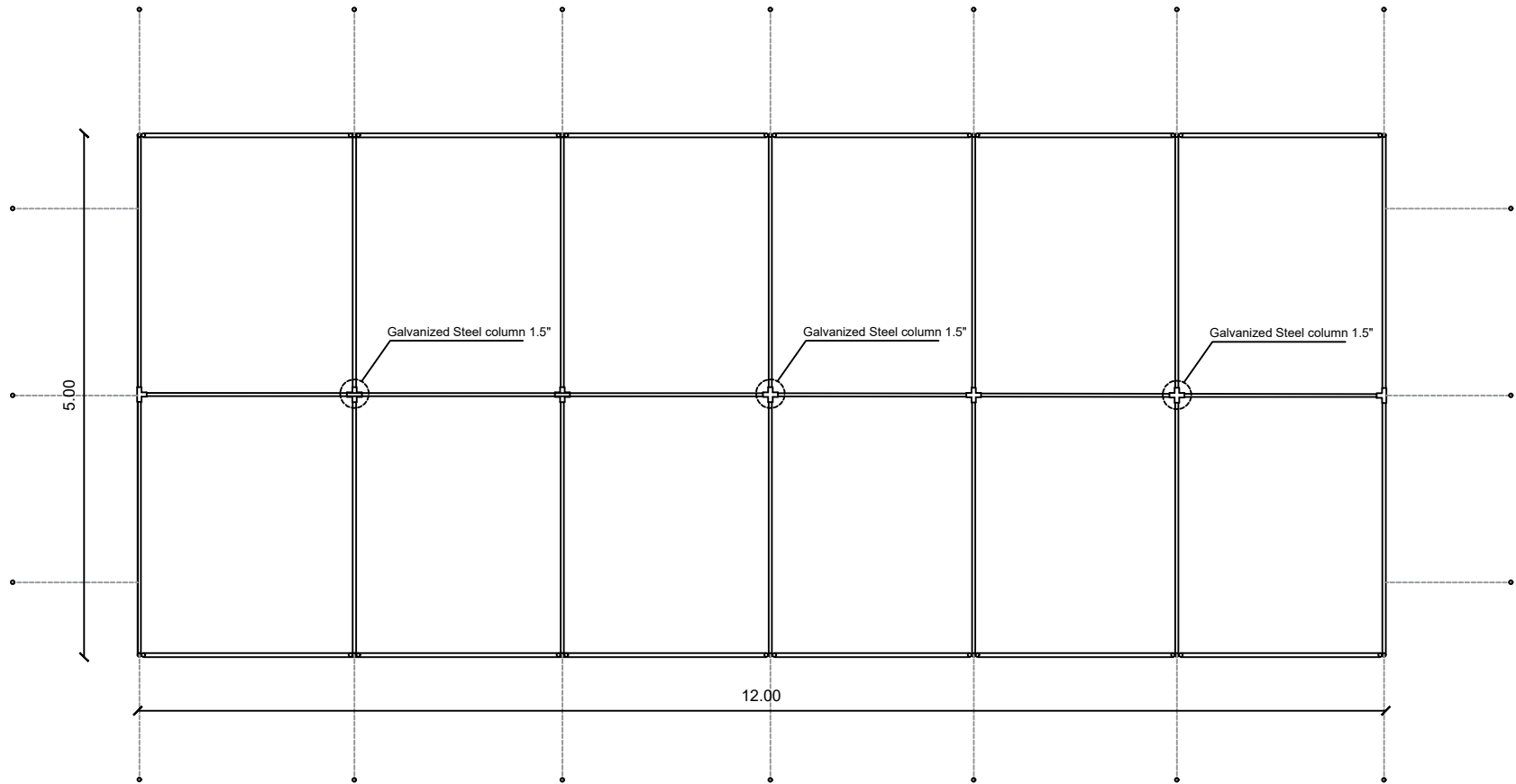
LT40

Plan Name :



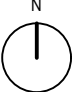
Livelihood Tent 40 m²

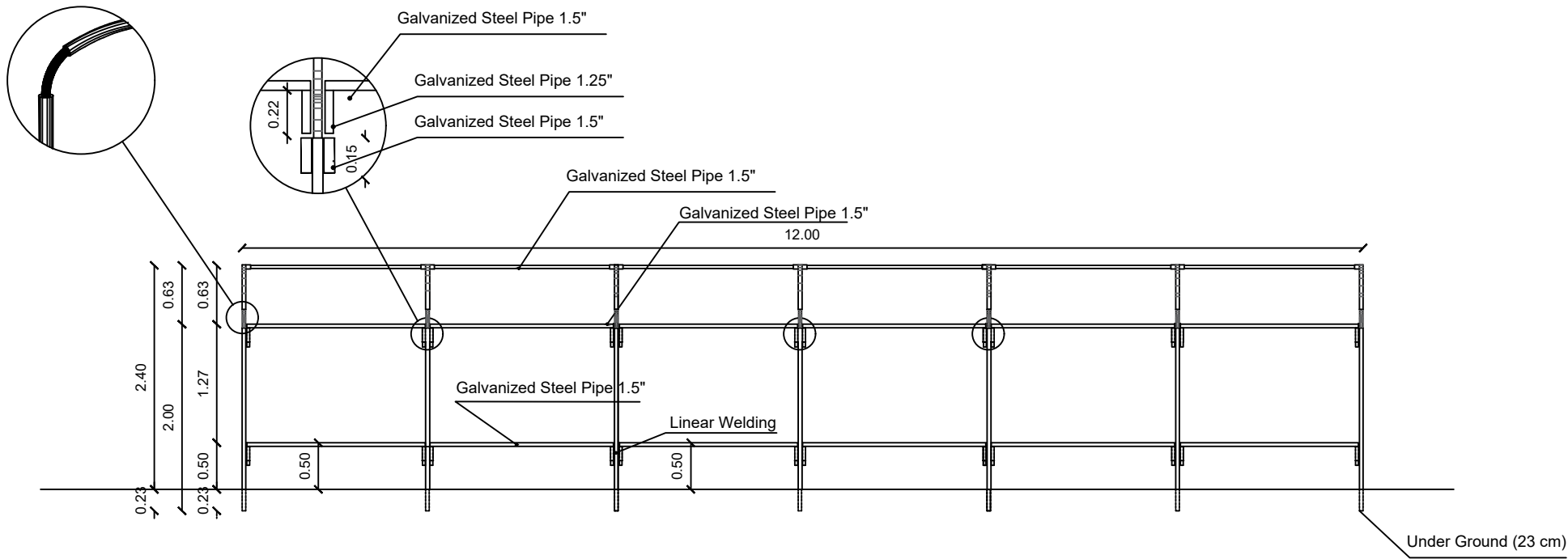
Date :

2021



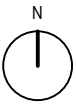


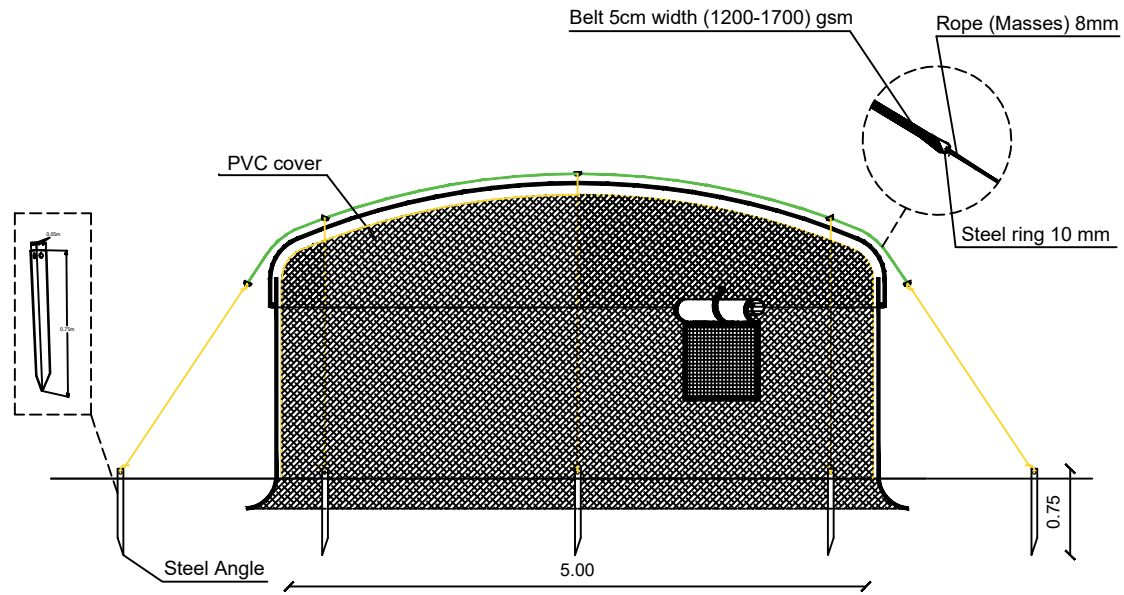
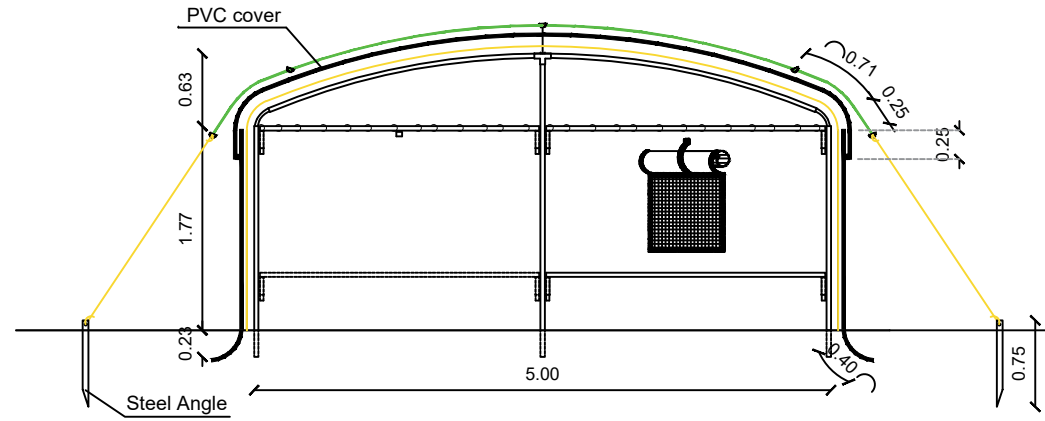
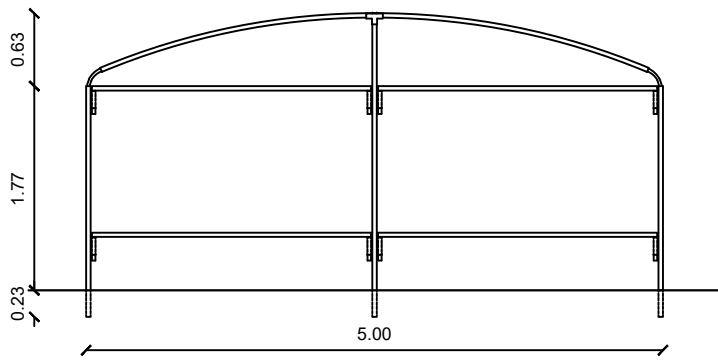
Main Plan

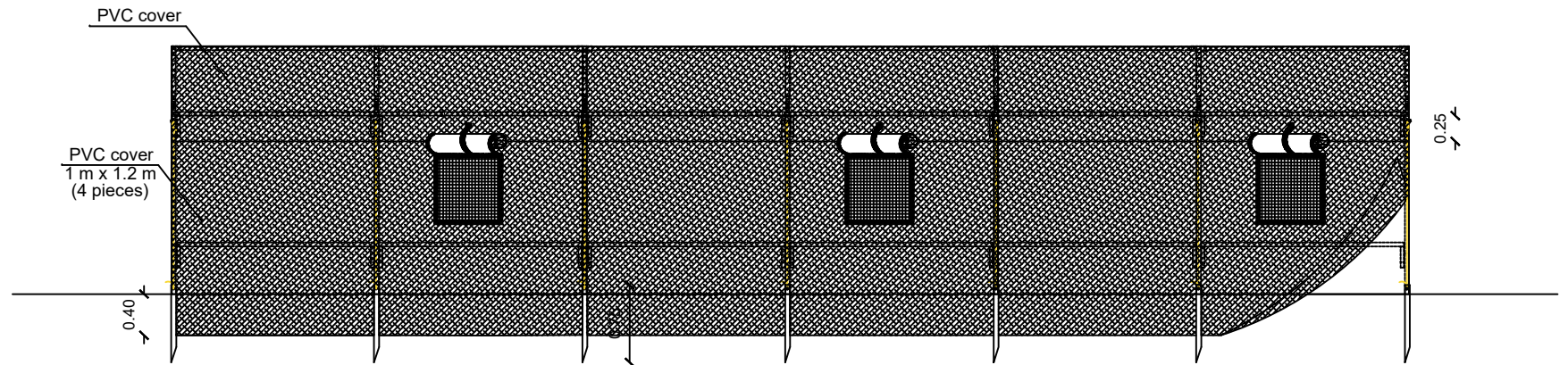
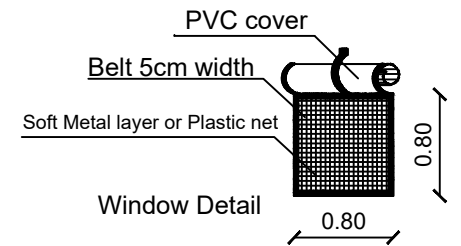
<p>Agency:</p> 	<p>Funded by:</p> <p>Humanitarian Aid and Civil Protection - ECHO</p> 	<p>Agency : ACTED Program : Emergency Project Scale : 1:50 Designer: ACTED Technical Team</p>	<p>N</p> 	<p>Design Code : LT60</p>	<p>Plan Name : Livelihood Tent 60 m²</p>	<p>Date : 2021</p>
--	---	--	--	--	--	---------------------------------



Side Elevation

Agency: 	Funded by: Humanitarian Aid and Civil Protection - ECHO 	Agency : ACTED Program : Emergency Project Scale : 1:50 Designer: ACTED Technical Team		Design Code : LT60	Plan Name : Livelihood Tent 60 m ²	Date : 2021
--	--	---	---	-----------------------	--	----------------





Agency:

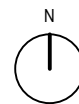


Funded by:

Humanitarian Aid
and Civil Protection - ECHO



Agency : ACTED
Program : Emergency Project
Scale : 1:50
Designer: ACTED Technical Team



Design Code :

LT60

Plan Name :

Livelihood Tent 60 m²

Date :

2021