

Agency:

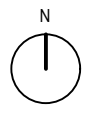


Funded by:

Humanitarian Aid and Civil Protection - ECHO



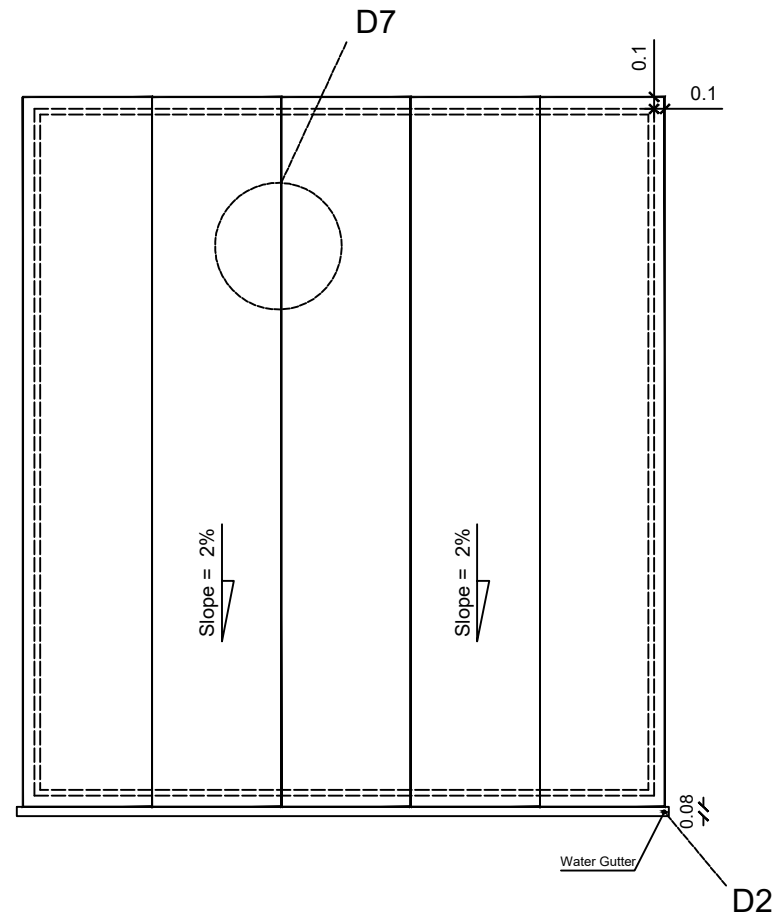
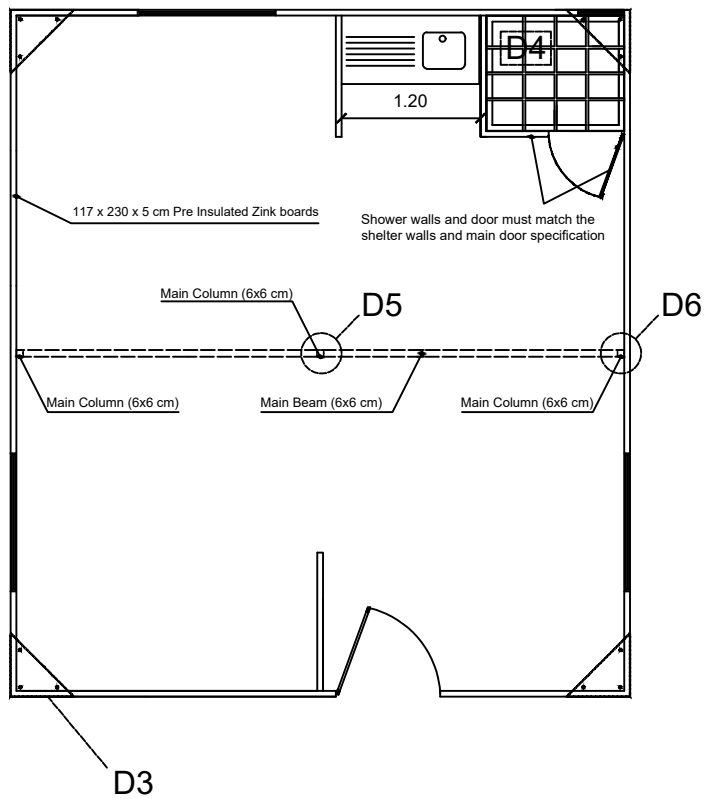
Agency : ACTED
 Program : Emergency Project
 Scale : 1:50
 Designer: ACTED Technical Team



Design Code :
 C32

Plan Name :
 Caravan 32 m²

Date :
 2021



Agency:



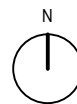
Funded by:

Humanitarian Aid
and Civil Protection - ECHO



Humanitarian Aid
and Civil Protection

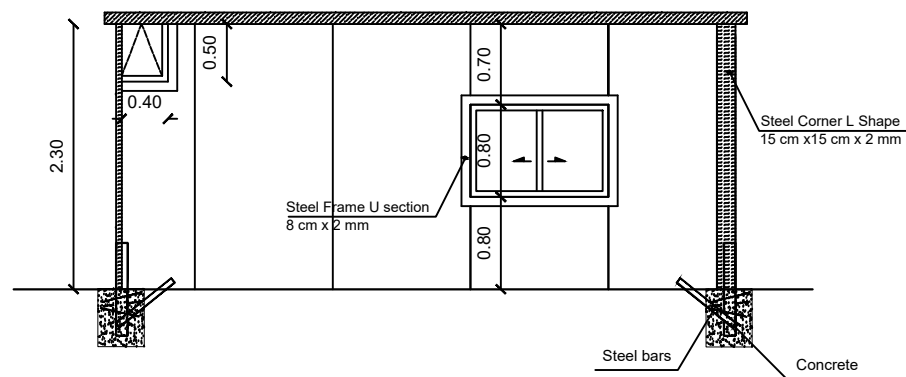
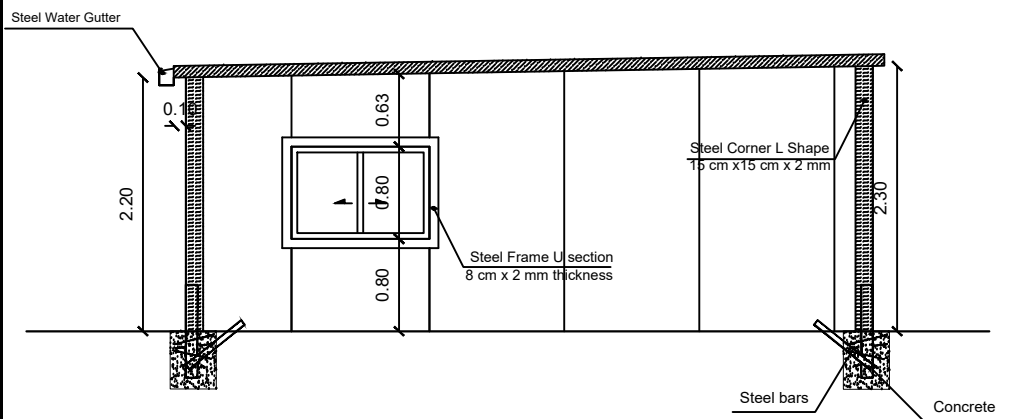
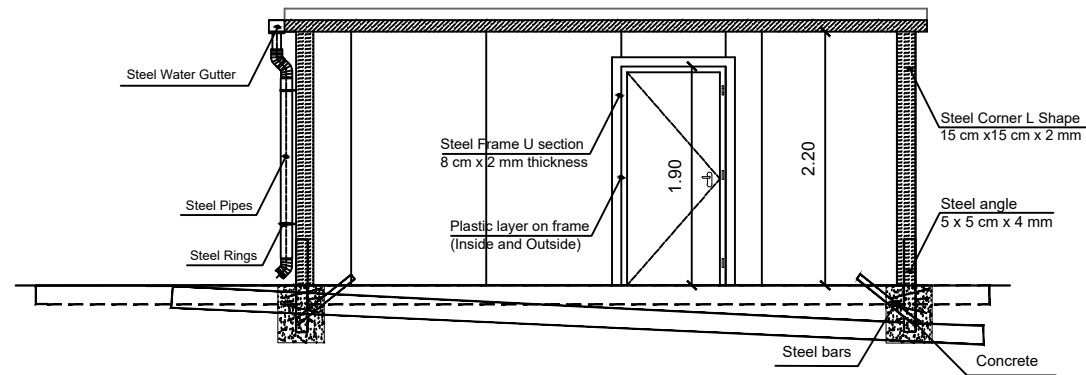
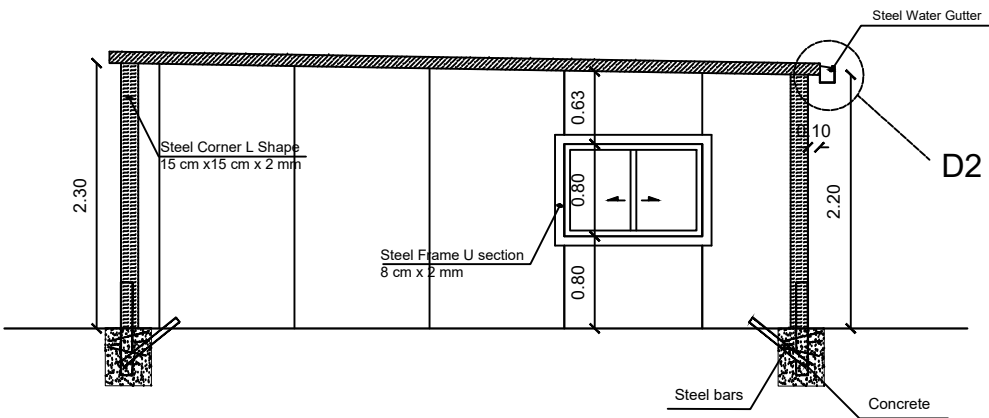
Agency : ACTED
Program : Emergency Project
Scale : 1:50
Designer: ACTED Technical Team



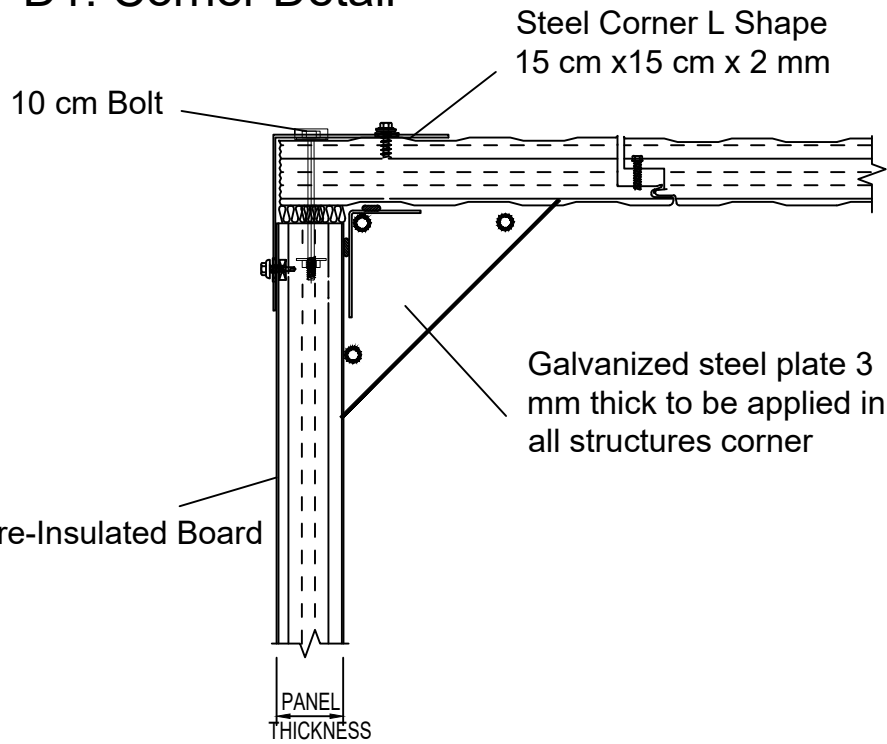
Design Code :
C32

Plan Name :
Caravan 32 m²

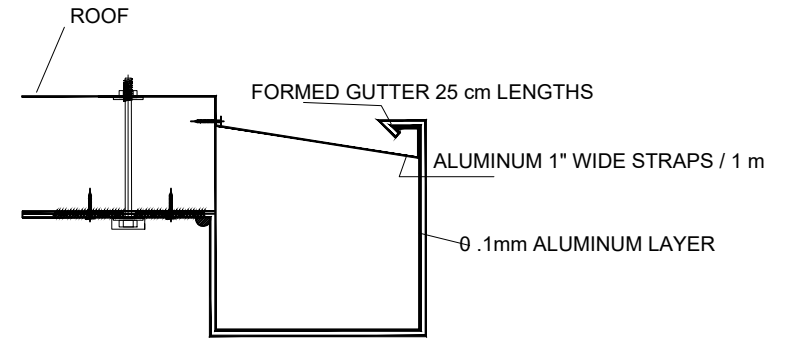
Date :
2021



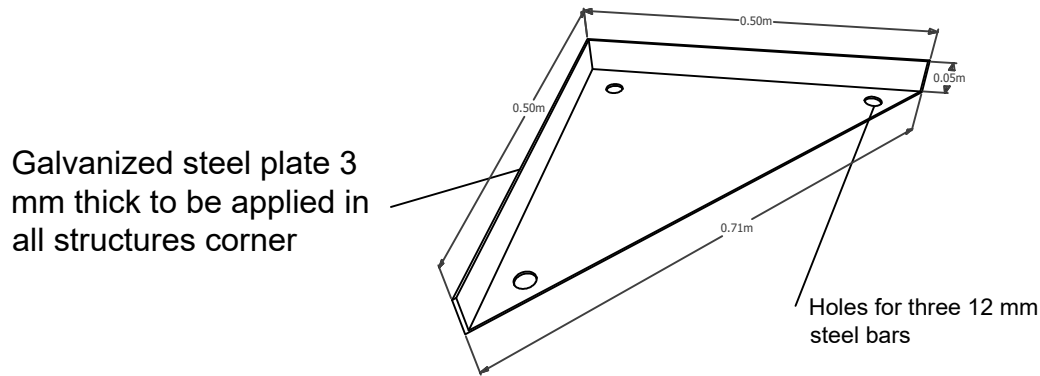
D1: Corner Detail



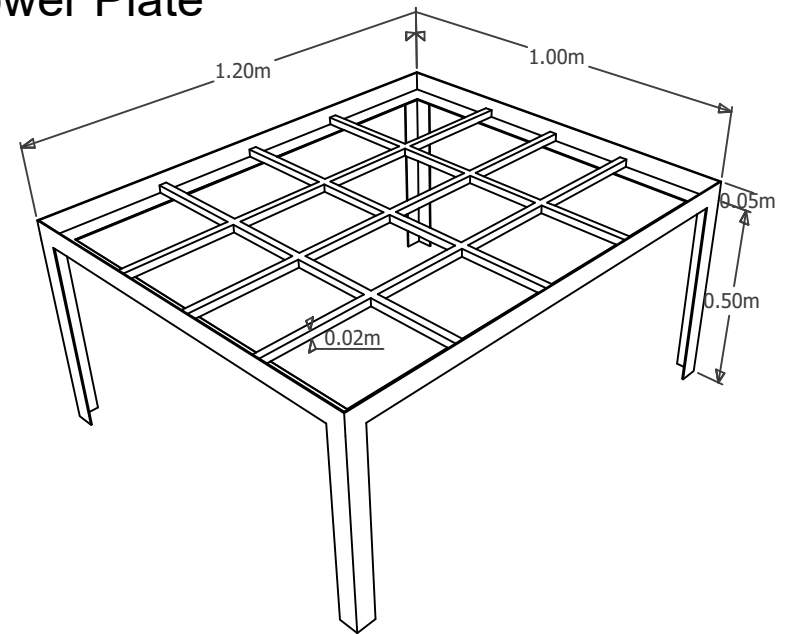
D2: Roof water Gutter



D3: Corner Plate Detail



D4: Shower Plate



Agency:



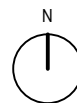
Funded by:

Humanitarian Aid
and Civil Protection - ECHO



Humanitarian Aid
and Civil Protection

Agency : ACTED
Program : Emergency Project
Scale : 1:50
Designer: ACTED Technical Team



Design Code :

C32

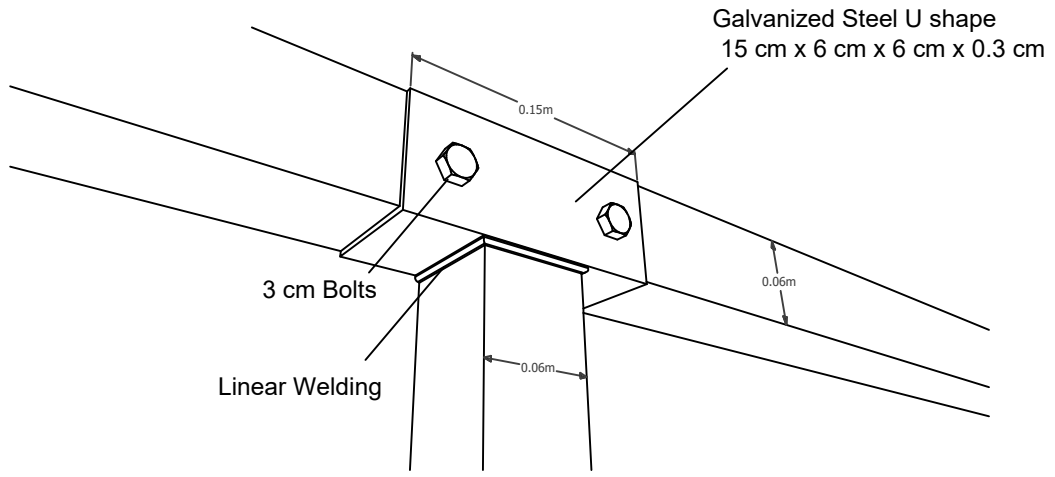
Plan Name :

Caravan 32 m²

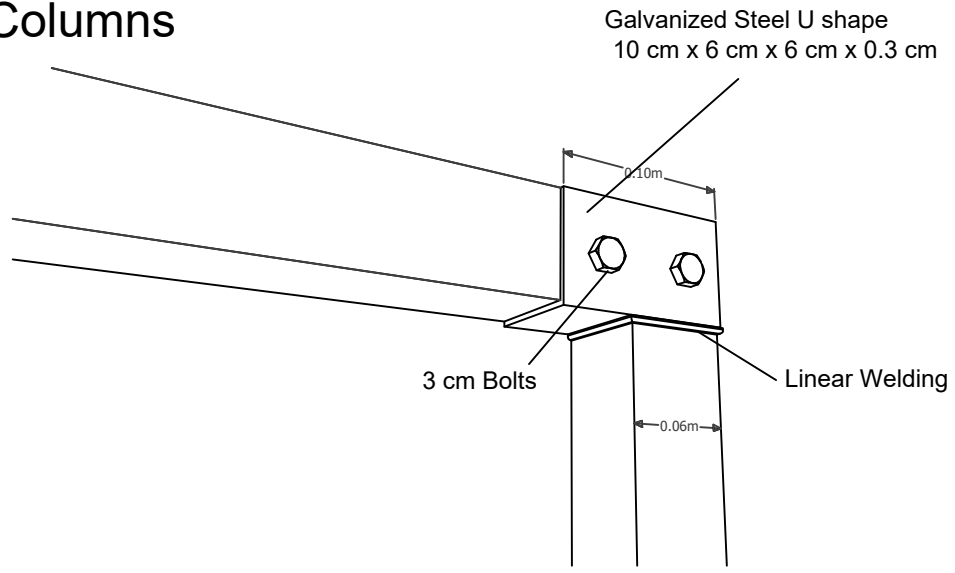
Date :

2021

D5: Mid-Column

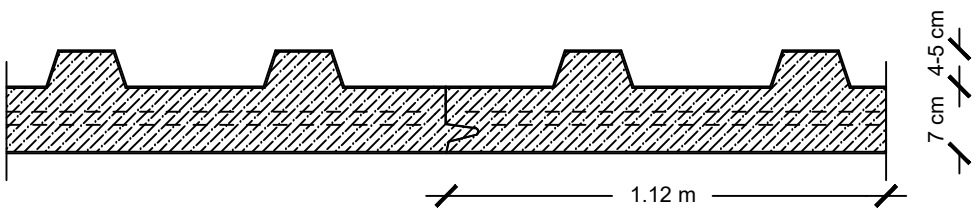


D6: Columns

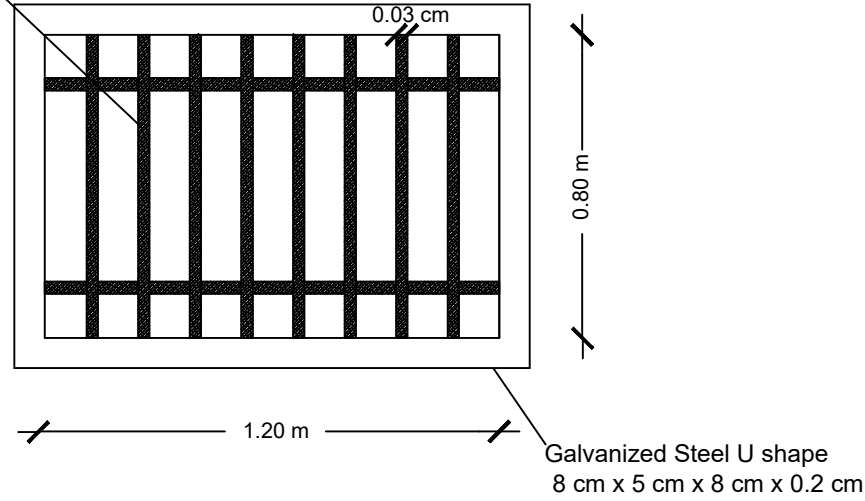


All Columns section = 6 x 6 x 0.3 cm

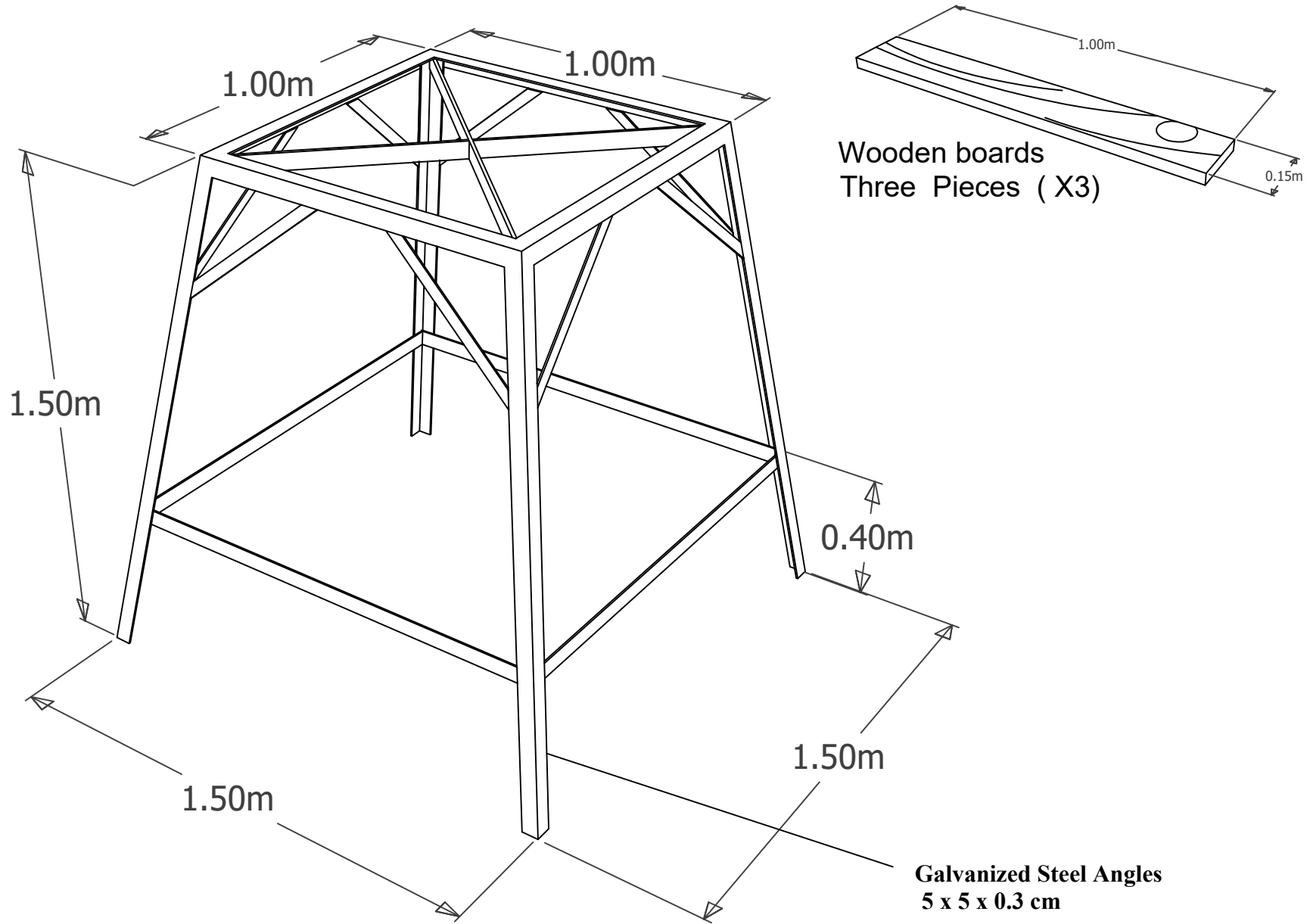
D7: Roof Detail



Galvanized Steel 1 cm x 1 cm



Galvanized steel stand for water tank



Agency:

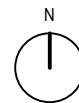


Funded by:

Humanitarian Aid
and Civil Protection - ECHO



Agency : ACTED
Program : Emergency Project
Scale : 1:50
Designer: ACTED Technical Team



Design Code :

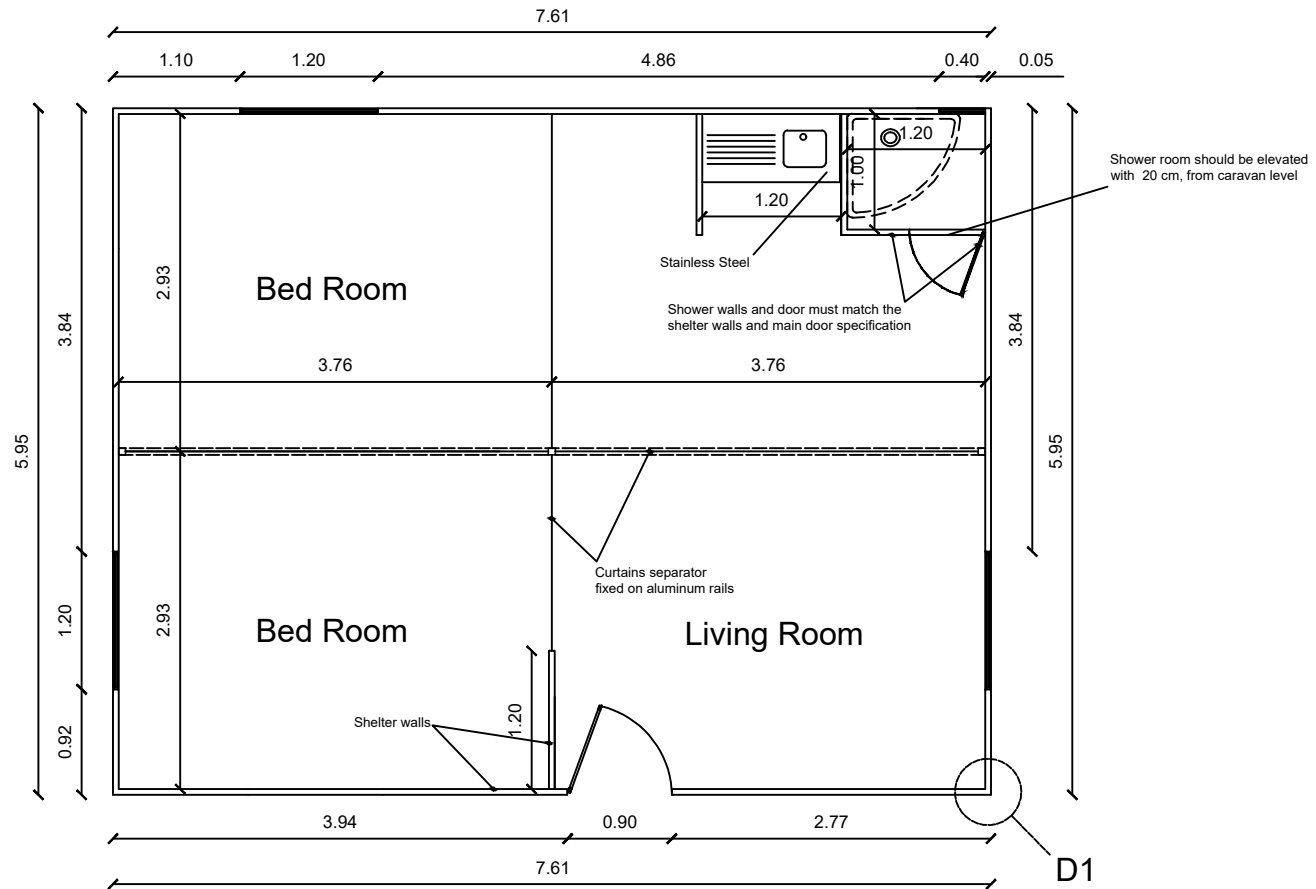
C32

Plan Name :

Caravan 32 m²

Date :

2021



Agency:

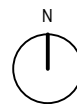


Funded by:

Humanitarian Aid
and Civil Protection - ECHO



Agency : ACTED
Program : Emergency Project
Scale : 1:50
Designer: ACTED Technical Team



Design Code :

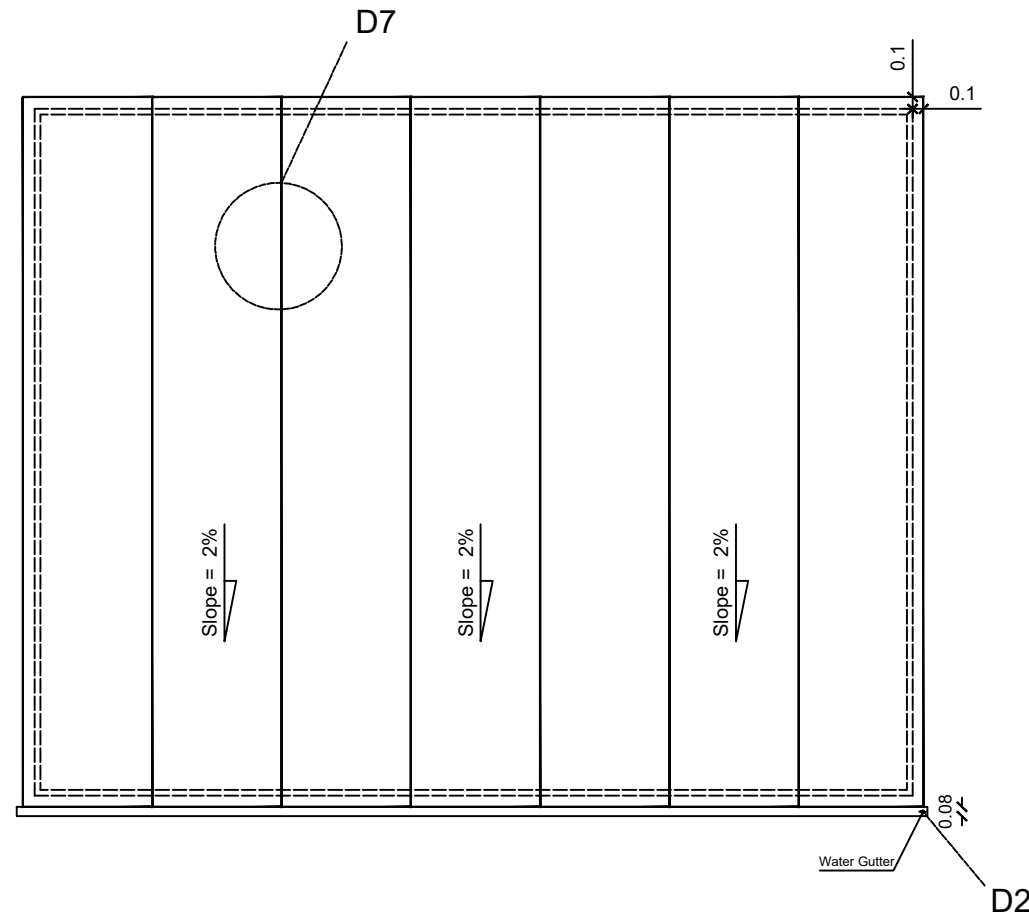
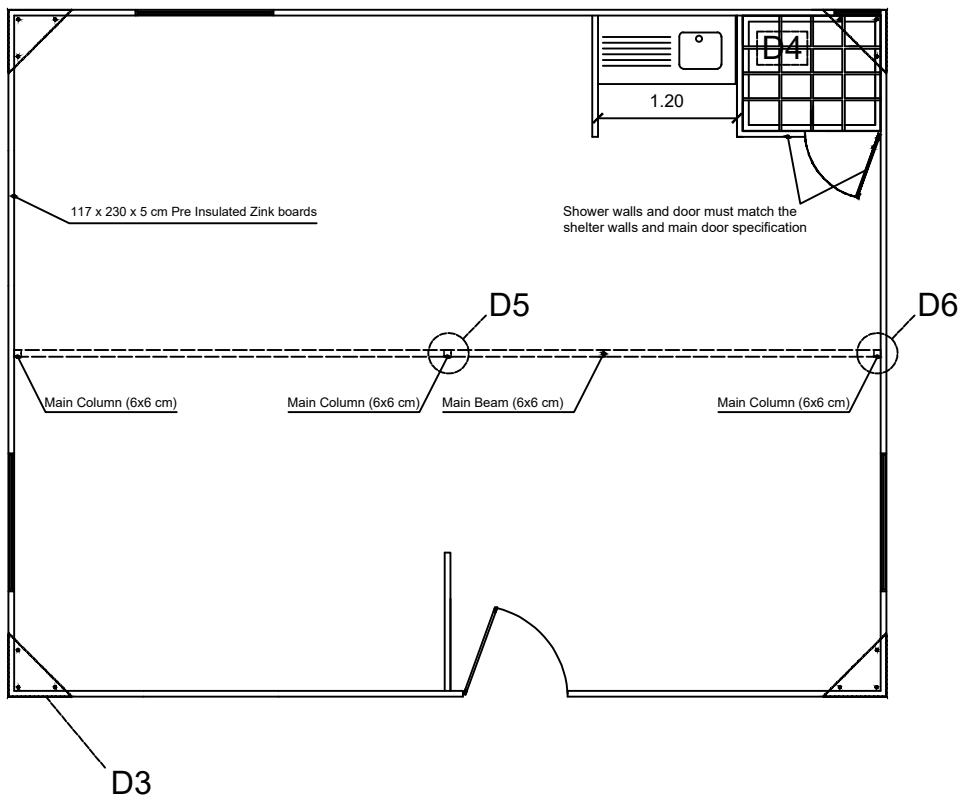
C45

Plan Name :

Caravan 45 m²

Date :

2021



Agency:



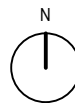
Funded by:

Humanitarian Aid
and Civil Protection - ECHO



Humanitarian Aid
and Civil Protection

Agency : ACTED
Program : Emergency Project
Scale : 1:50
Designer: ACTED Technical Team



Design Code :

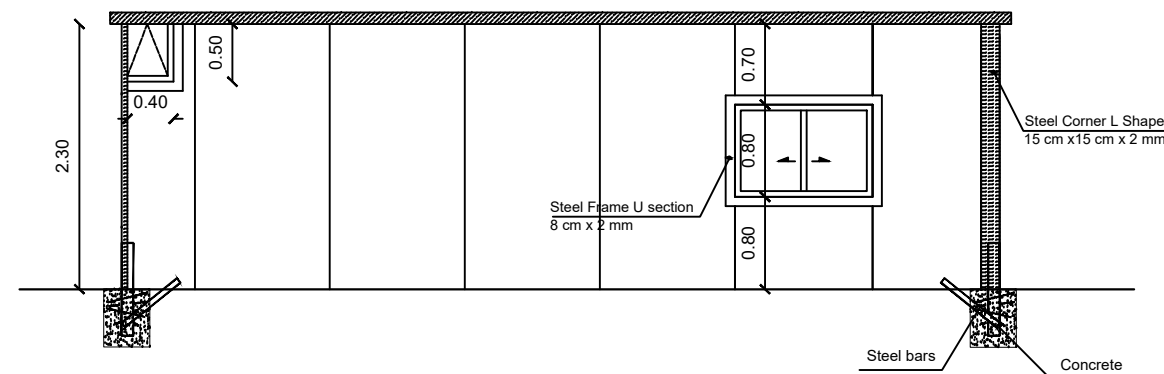
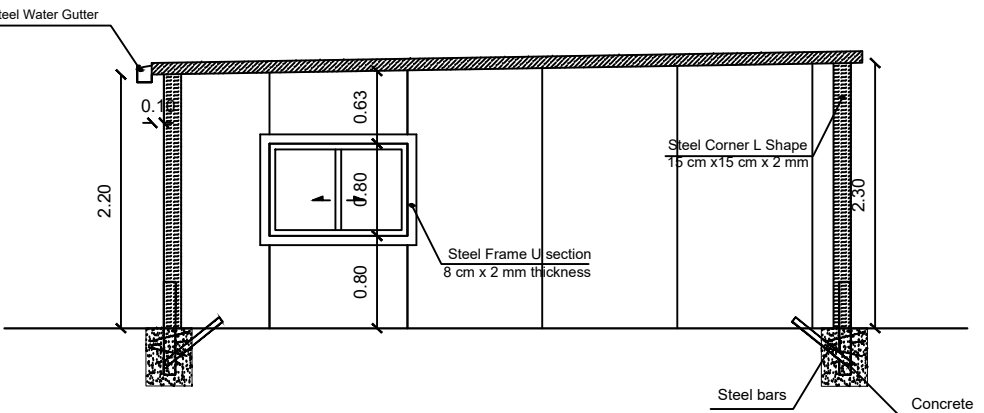
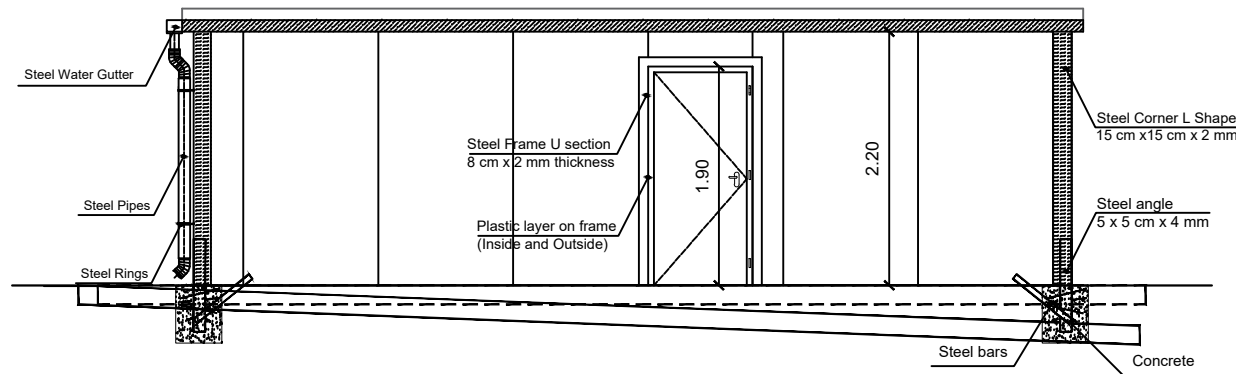
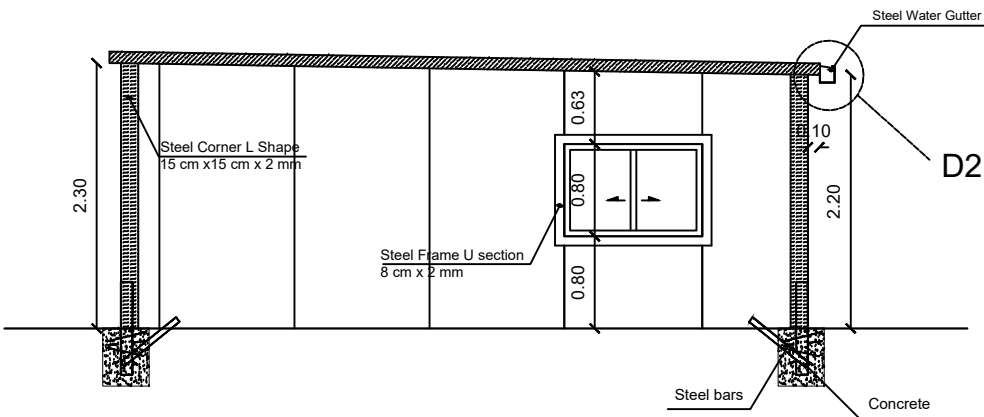
C45

Plan Name :

Caravan 45 m²

Date :

2021



Agency:




Funded by:

Humanitarian Aid
and Civil Protection - ECHO



Agency : ACTED
Program : Emergency Project
Scale : 1:50
Designer: ACTED Technical Team

N

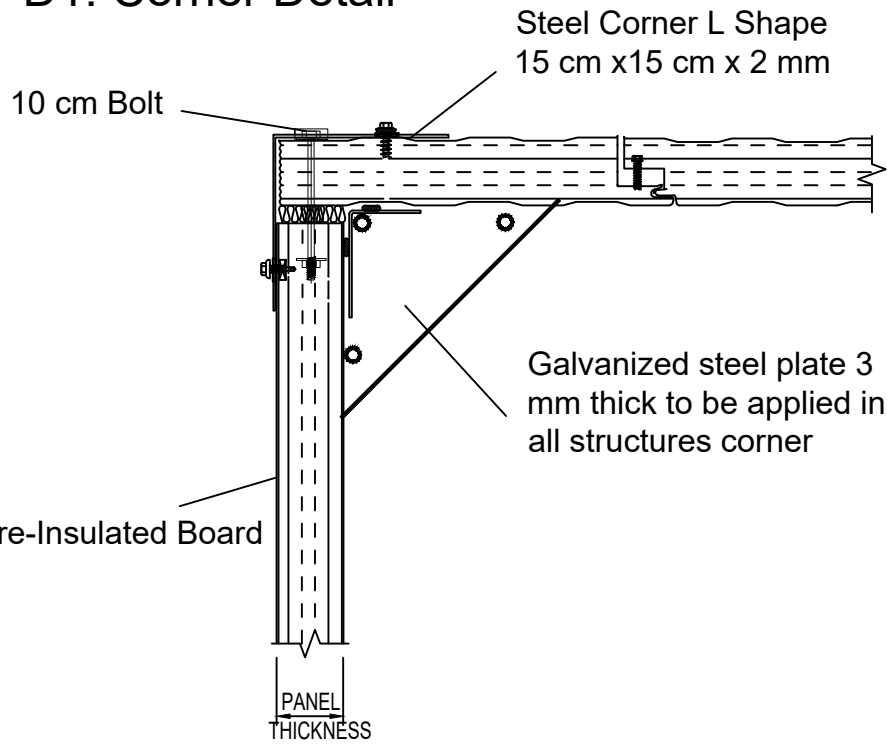


Design Code :
C45

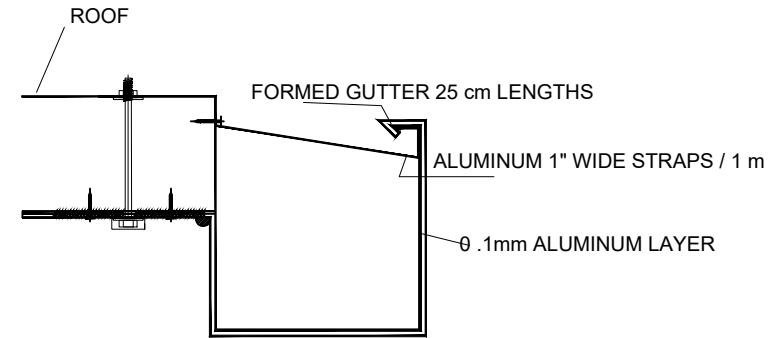
Plan Name :
Caravan 45 m²

Date :
2021

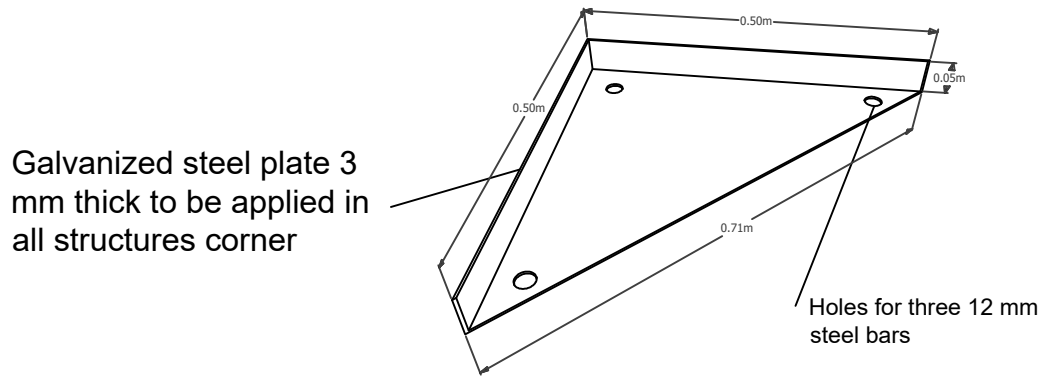
D1: Corner Detail



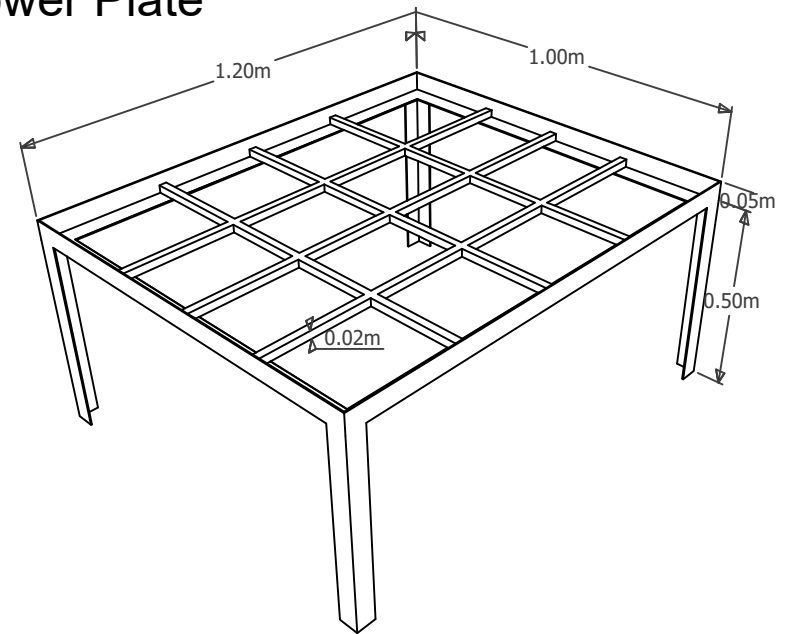
D2: Roof water Gutter



D3: Corner Plate Detail



D4: Shower Plate



Agency:



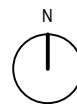
Funded by:

Humanitarian Aid
and Civil Protection - ECHO



Humanitarian Aid
and Civil Protection

Agency : ACTED
Program : Emergency Project
Scale : 1:50
Designer: ACTED Technical Team



Design Code :

C45

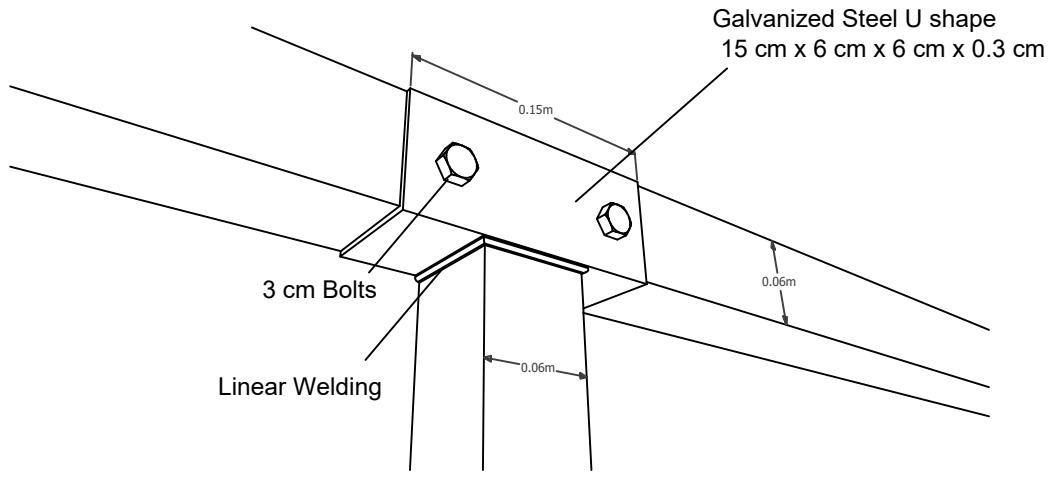
Plan Name :

Caravan 45 m²

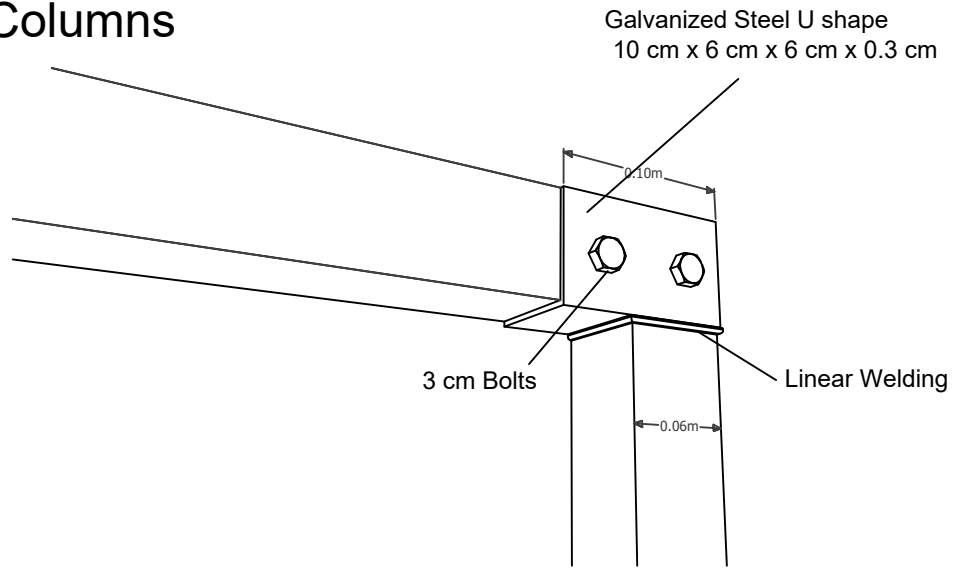
Date :

2021

D5: Mid-Column

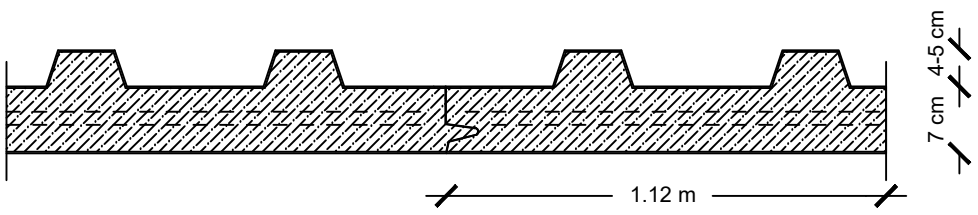


D6: Columns

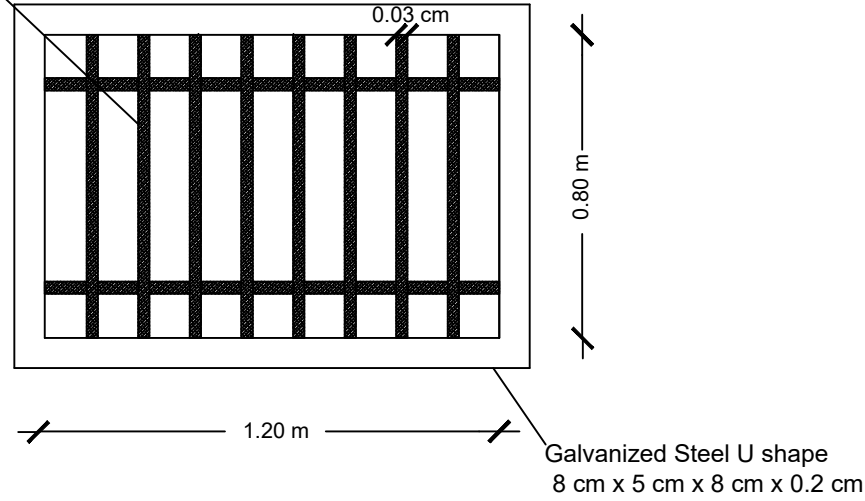


All Columns section = 6 x 6 x 0.3 cm

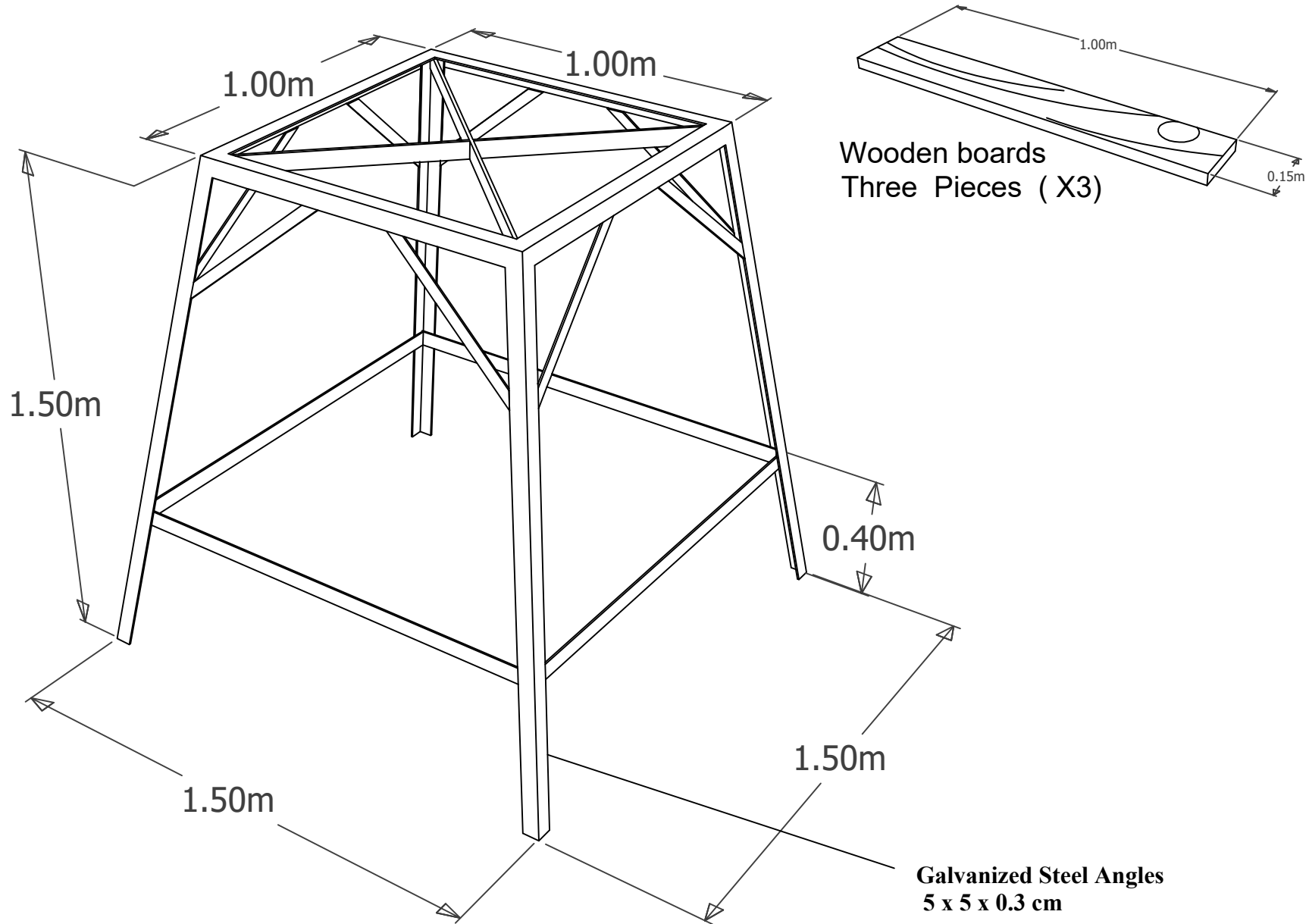
D7: Roof Detail



Galvanized Steel 1 cm x 1 cm



Galvanized steel stand for water tank



Agency:

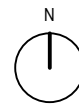


Funded by:

Humanitarian Aid
and Civil Protection - ECHO



Agency : ACTED
Program : Emergency Project
Scale : 1:50
Designer: ACTED Technical Team



Design Code :

C45

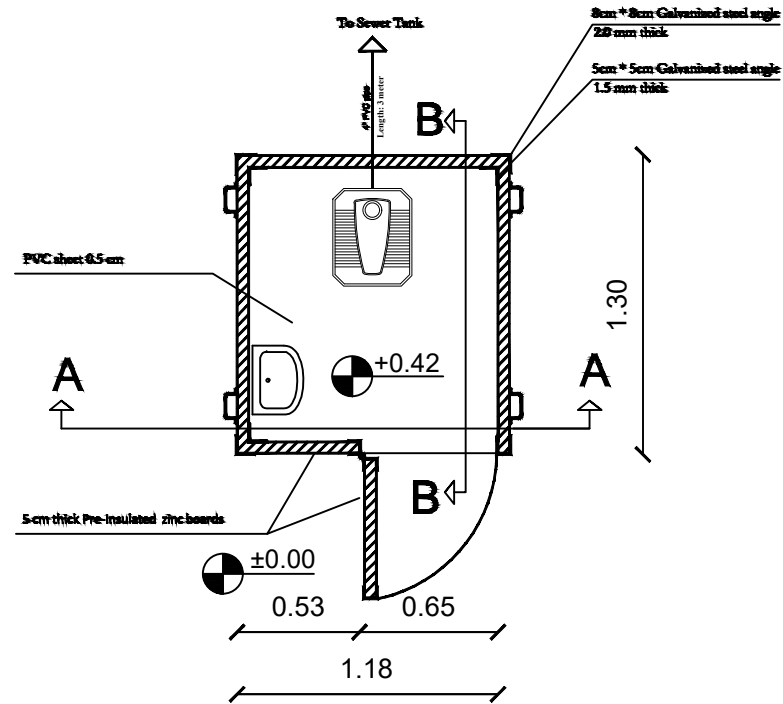
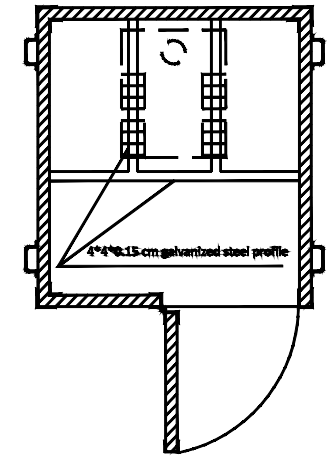
Plan Name :

Caravan 45 m²

Date :

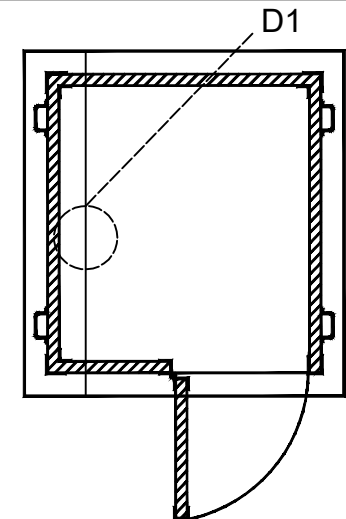
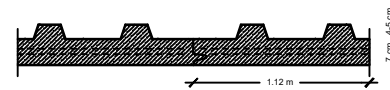
2021

Bottom Structure



Roof Structure

D1: Roof Detail



Main Plan

Agency:

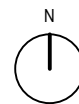


Funded by:

Humanitarian Aid
and Civil Protection - ECHO



Agency : ACTED
Program : Emergency Project
Scale : 1:50
Designer: ACTED Technical Team



Design Code :

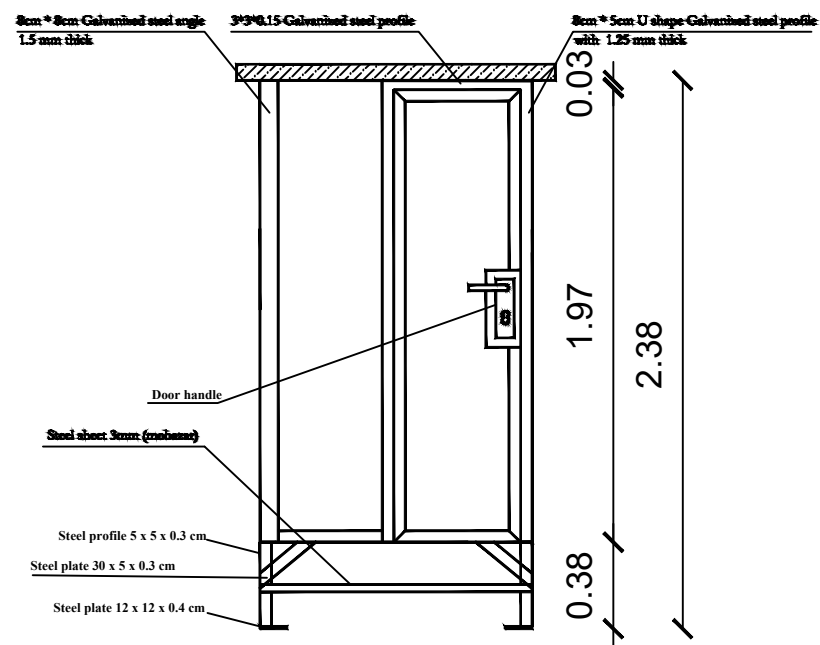
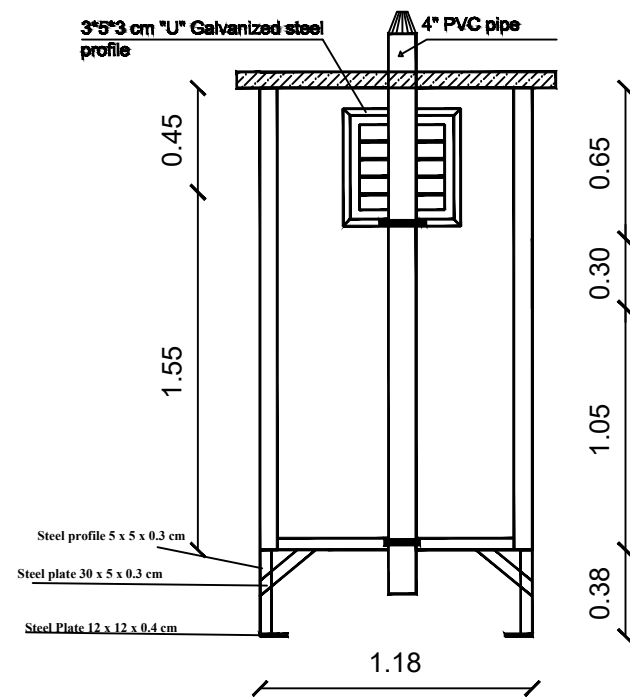
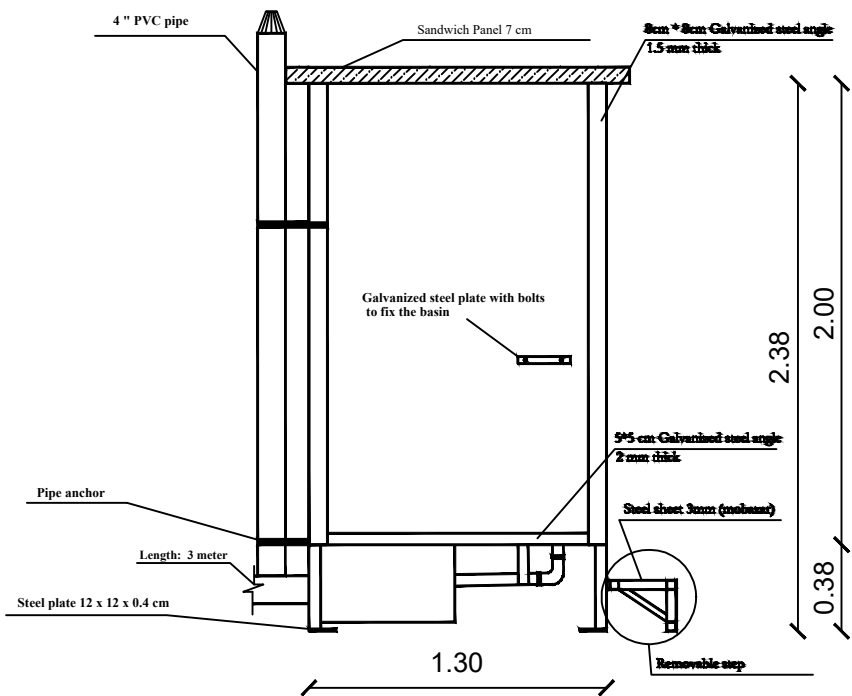
L

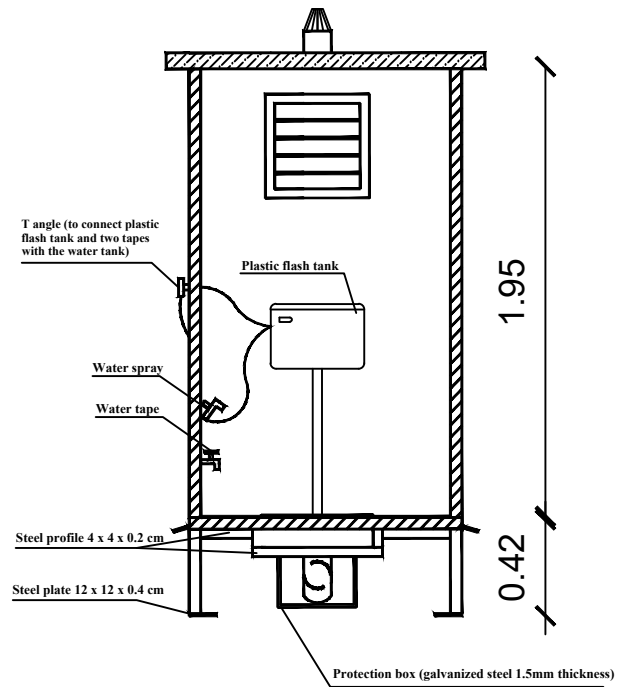
Plan Name :

Latrine

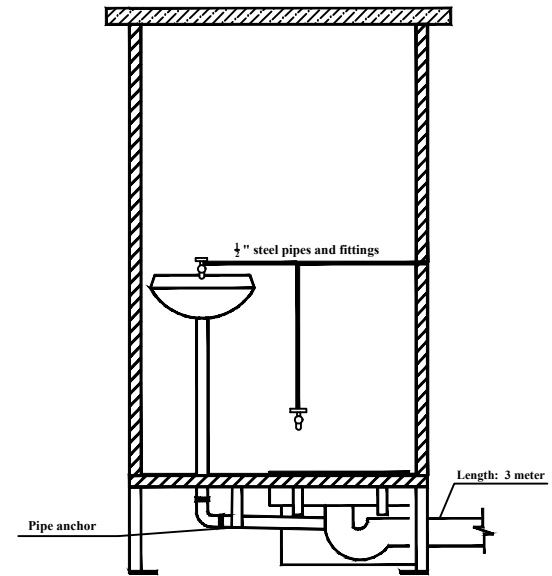
Date :

2021





Section A-A



Section B-B

Agency:

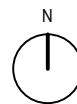


Funded by:

Humanitarian Aid
and Civil Protection - ECHO



Agency : ACTED
Program : Emergency Project
Scale : 1:50
Designer: ACTED Technical Team



Design Code :

L

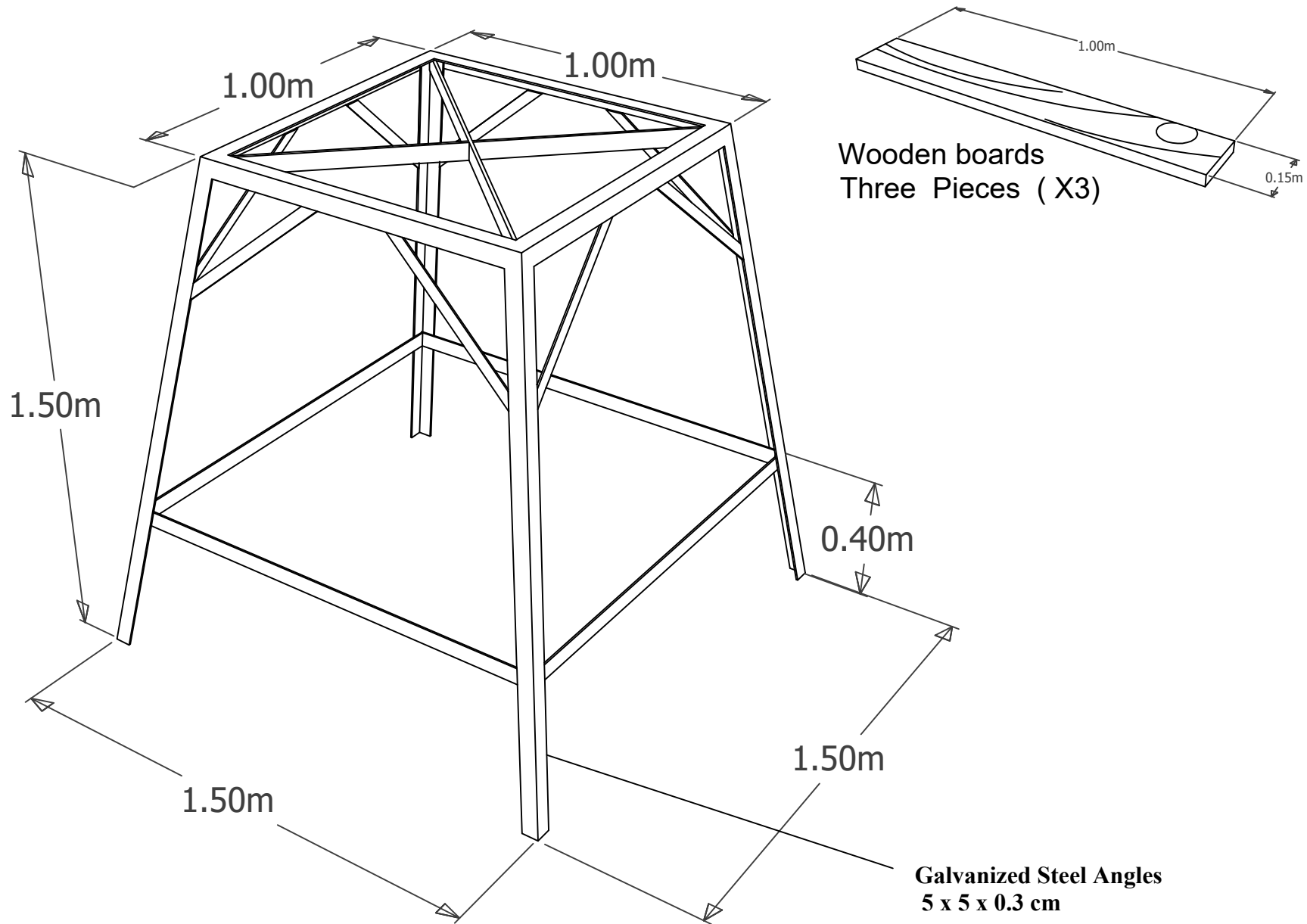
Plan Name :

Latrine

Date :

2021

Galvanized steel stand for water tank



Agency:

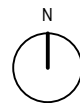


Funded by:

Humanitarian Aid
and Civil Protection - ECHO



Agency : ACTED
Program : Emergency Project
Scale : 1:50
Designer: ACTED Technical Team



Design Code :

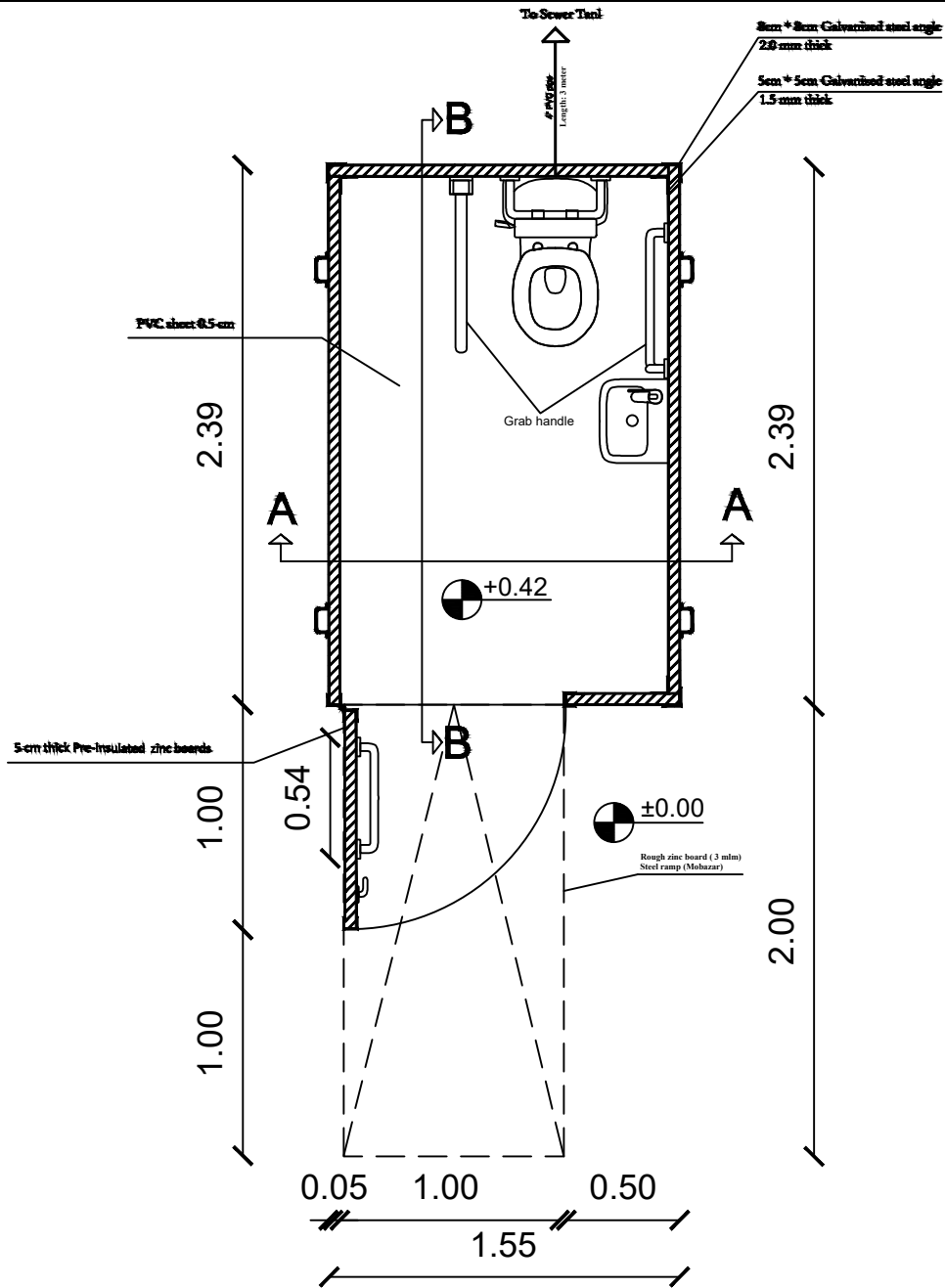
L

Plan Name :

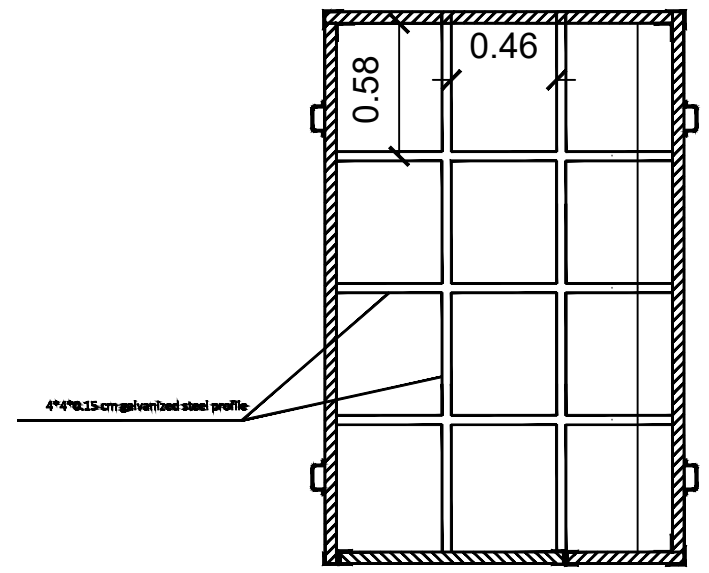
Latrine

Date :

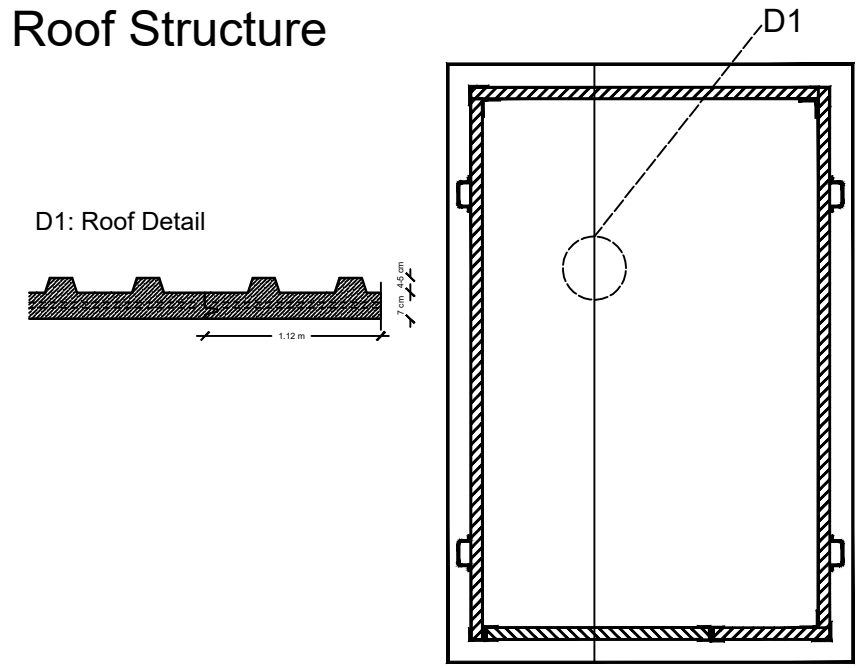
2021



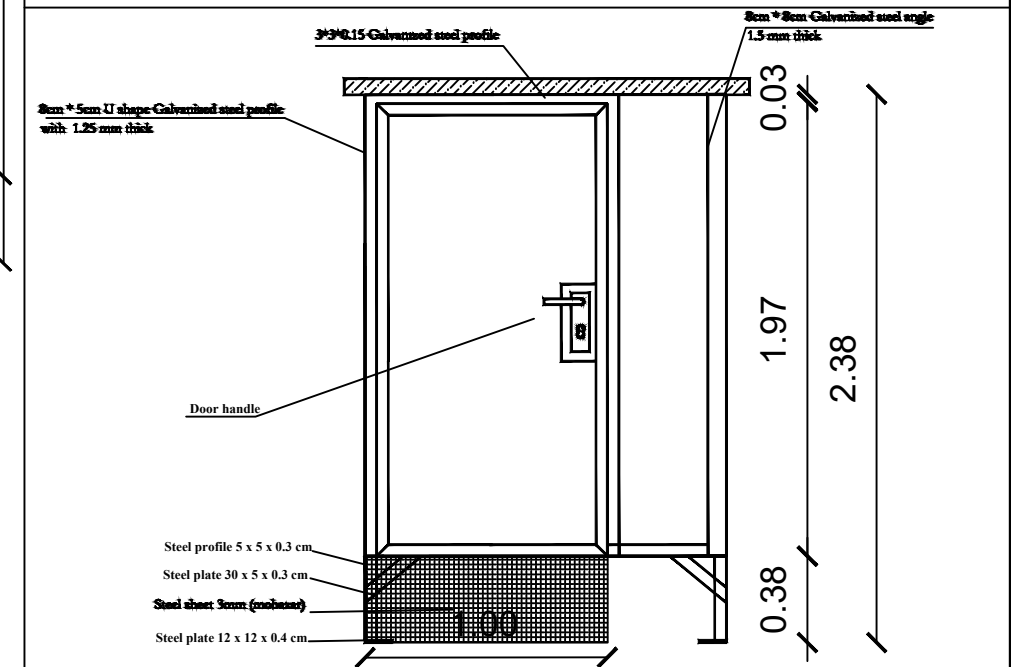
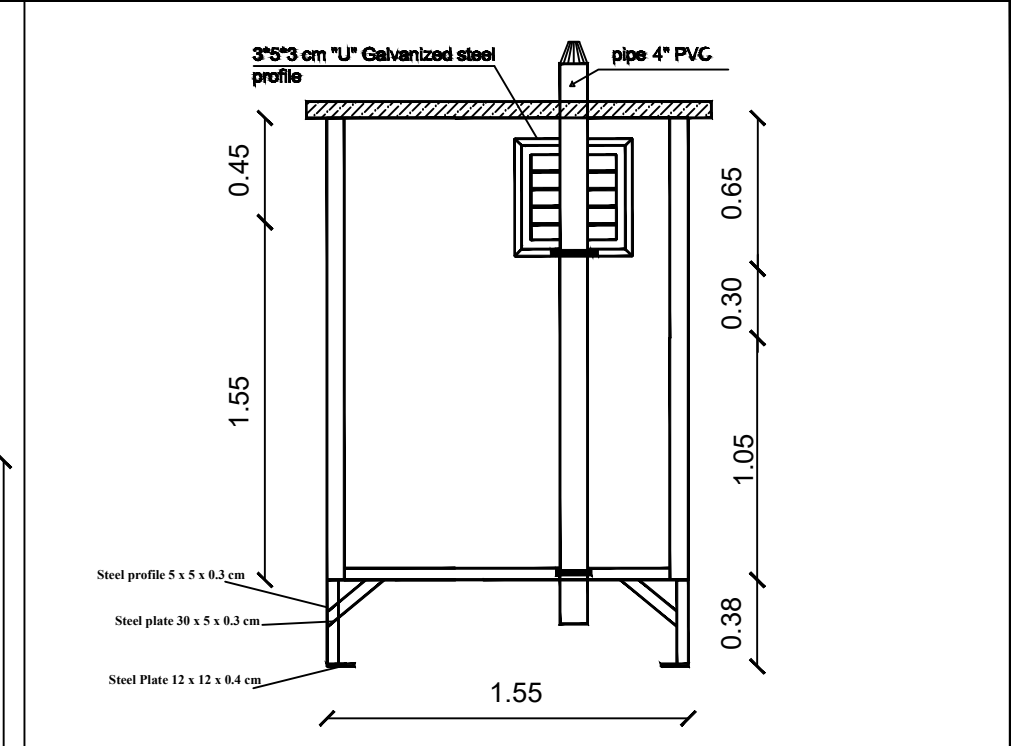
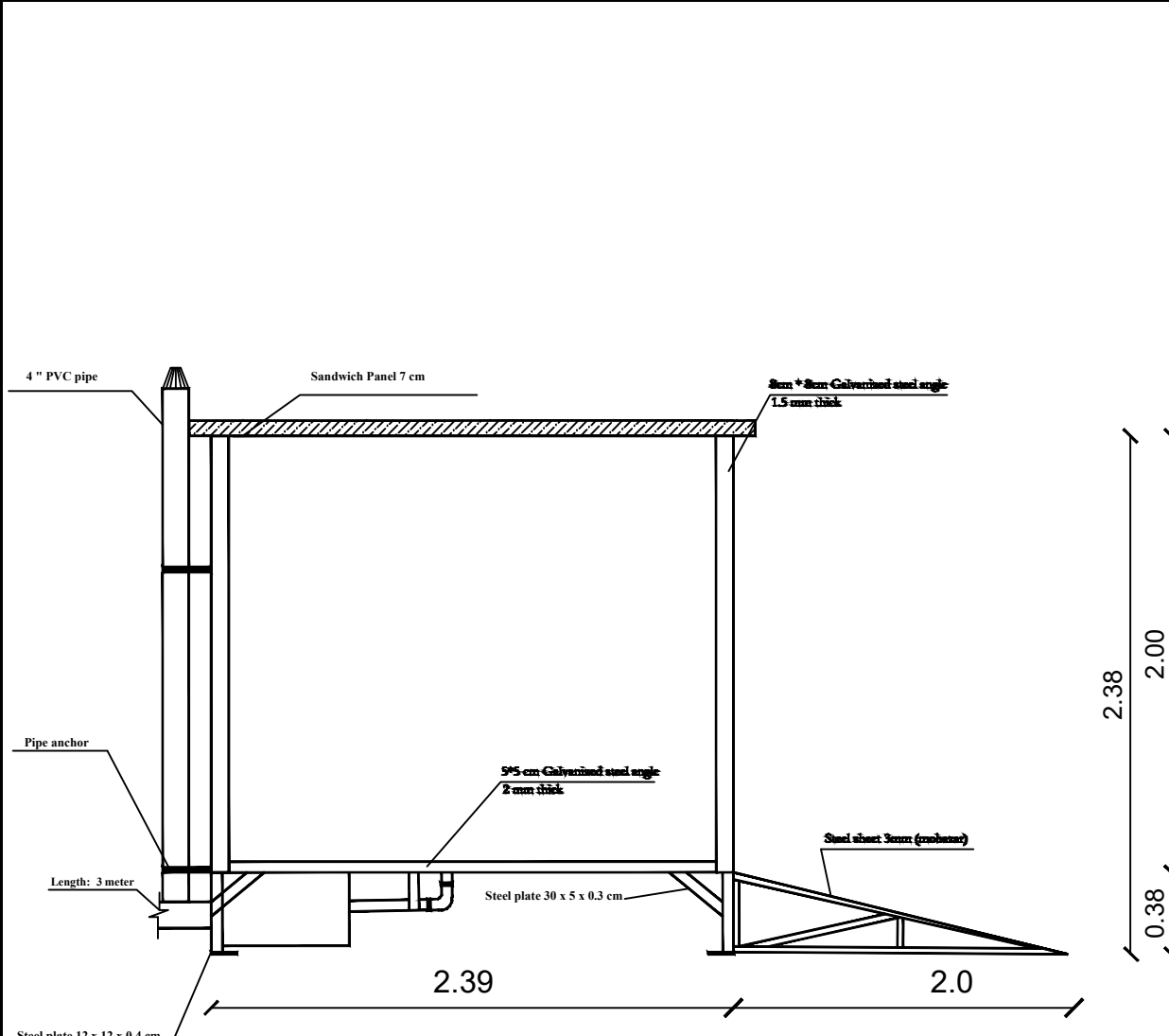
Bottom Structure

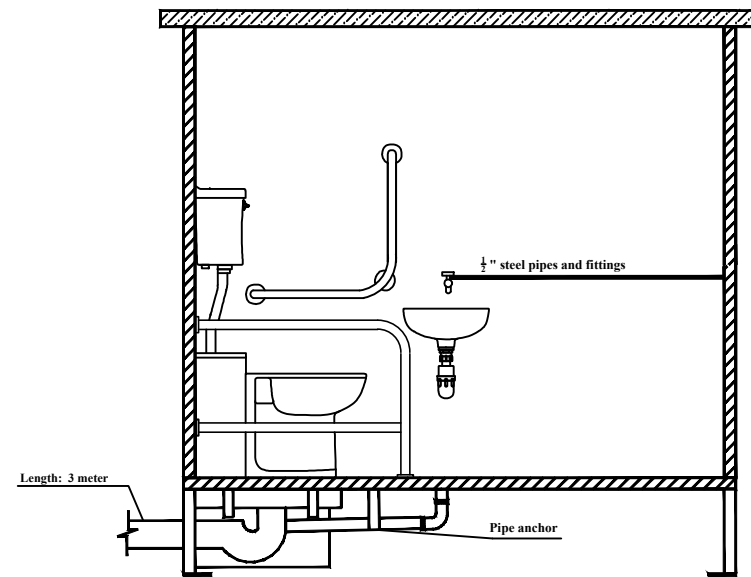
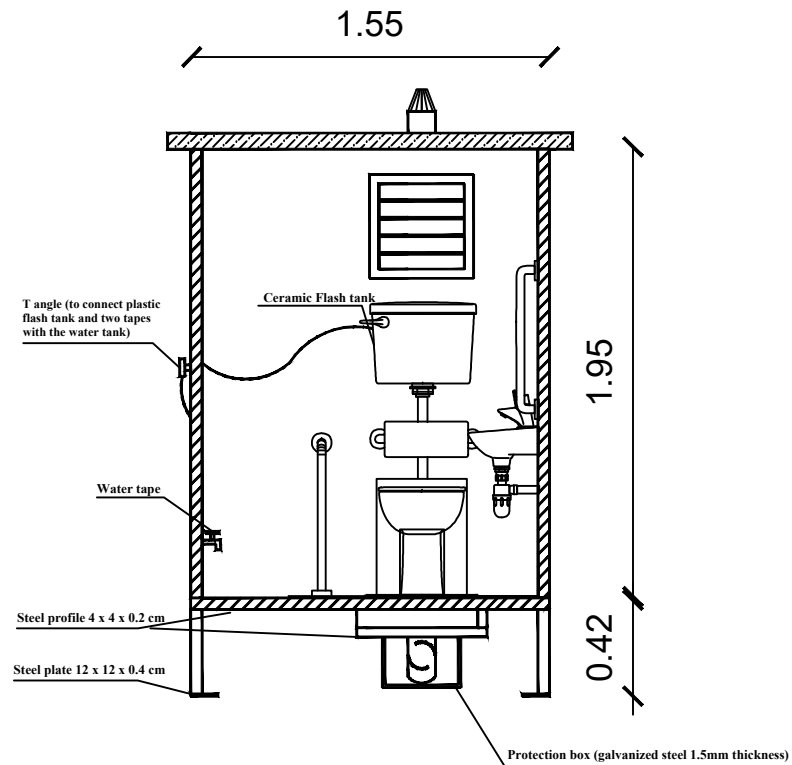


Roof Structure



Main Plan





Section A-A

Section B-B

Agency:



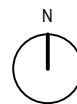
Funded by:

Humanitarian Aid
and Civil Protection - ECHO



Humanitarian Aid
and Civil Protection

Agency : ACTED
Program : Emergency Project
Scale : 1:50
Designer: ACTED Technical Team



Design Code :

PL

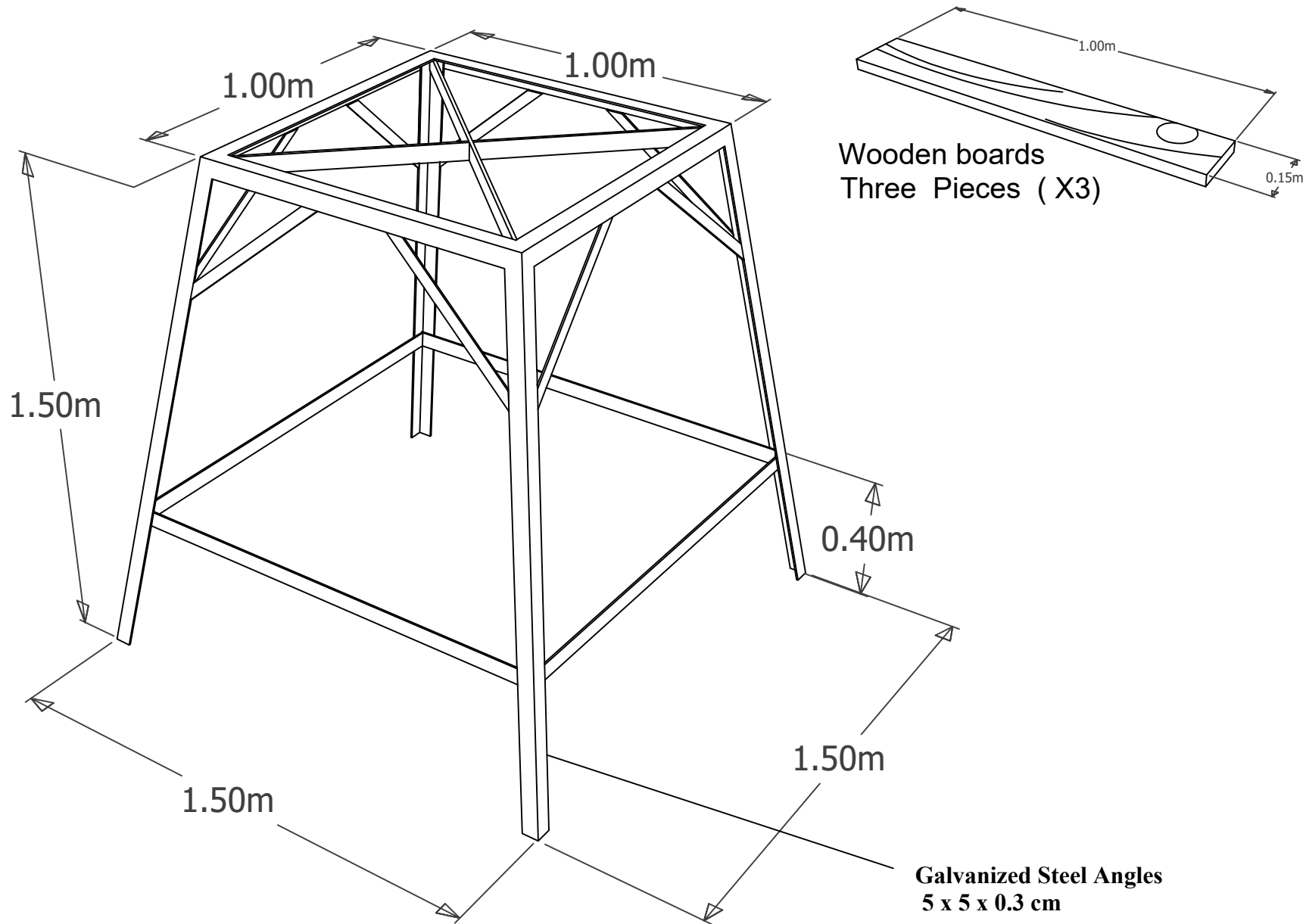
Plan Name :

PWD Latrine

Date :

2021

Galvanized steel stand for water tank



Agency:



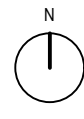
Funded by:

Humanitarian Aid
and Civil Protection - ECHO



Humanitarian Aid
and Civil Protection

Agency : ACTED
Program : Emergency Project
Scale : 1:50
Designer: ACTED Technical Team



Design Code :

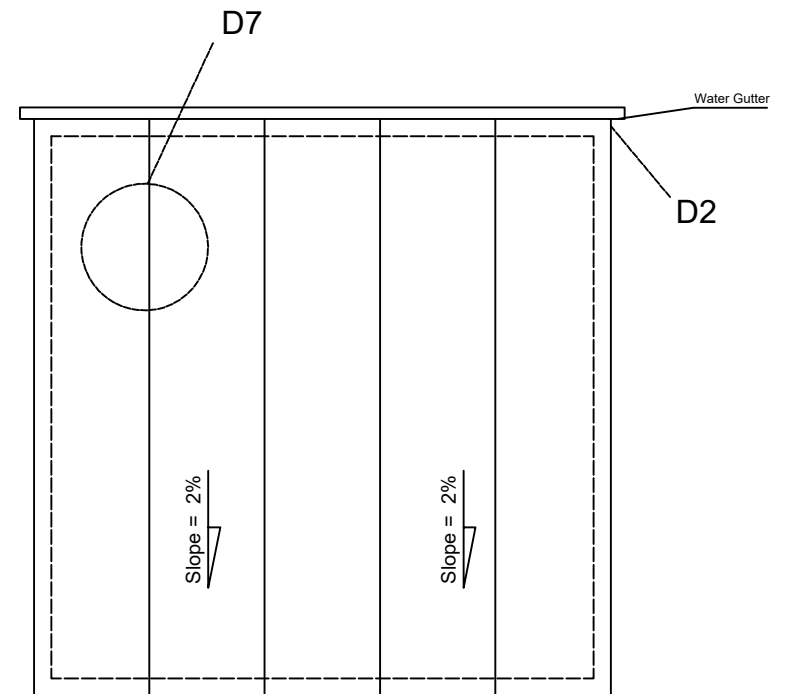
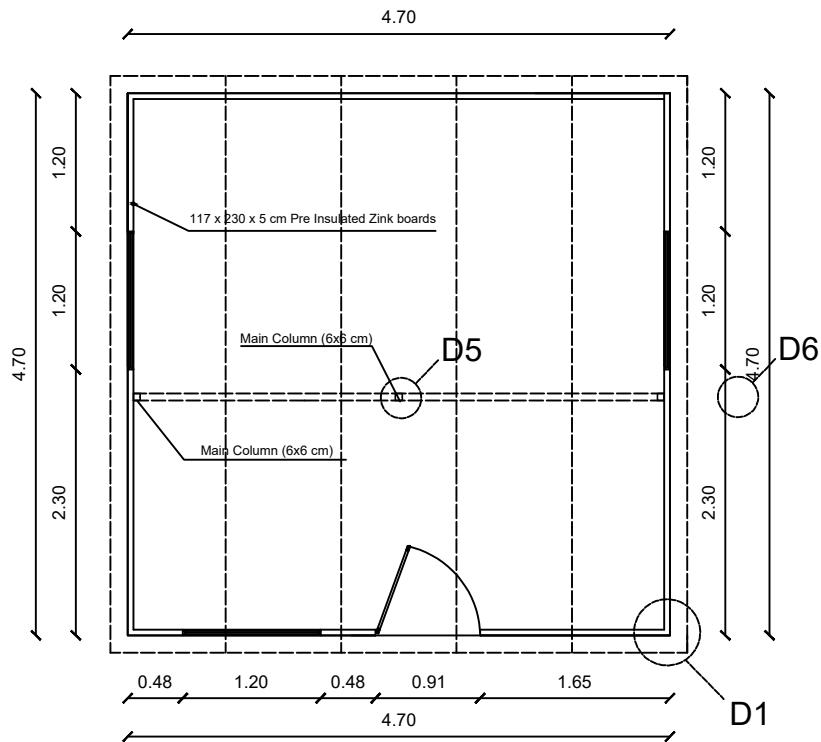
PL

Plan Name :

PWD Latrine

Date :

2021



Agency:

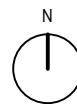


Funded by:

Humanitarian Aid
and Civil Protection - ECHO



Agency : ACTED
Program : Emergency Project
Scale : 1:50
Designer: ACTED Technical Team



Design Code :

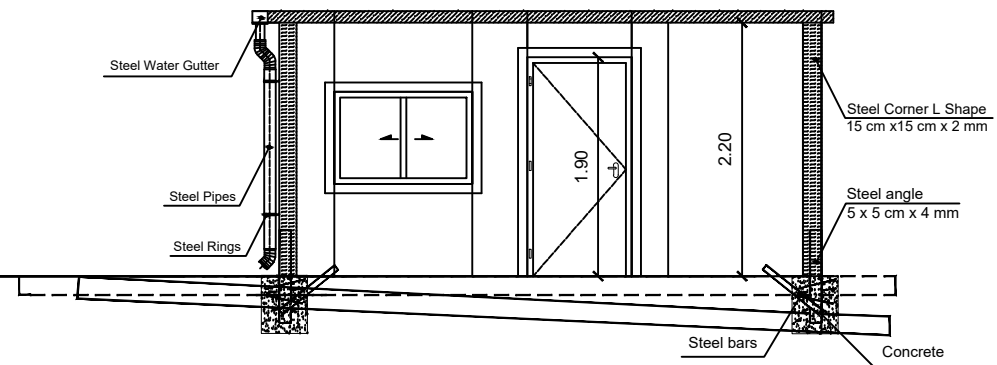
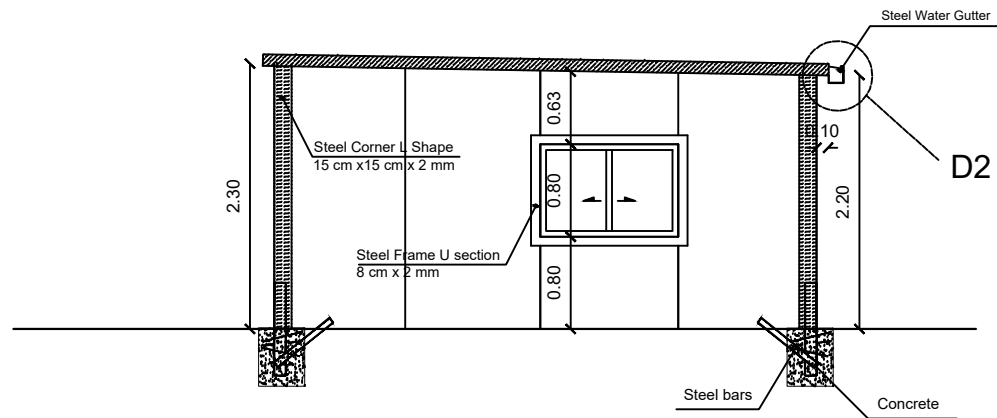
AS

Plan Name :

Agricultural Strcuture 22 m²

Date :

2021



Agency:



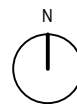
Funded by:

Humanitarian Aid
and Civil Protection - ECHO



Humanitarian Aid
and Civil Protection

Agency : ACTED
Program : Emergency Project
Scale : 1:50
Designer: ACTED Technical Team



Design Code :

AS

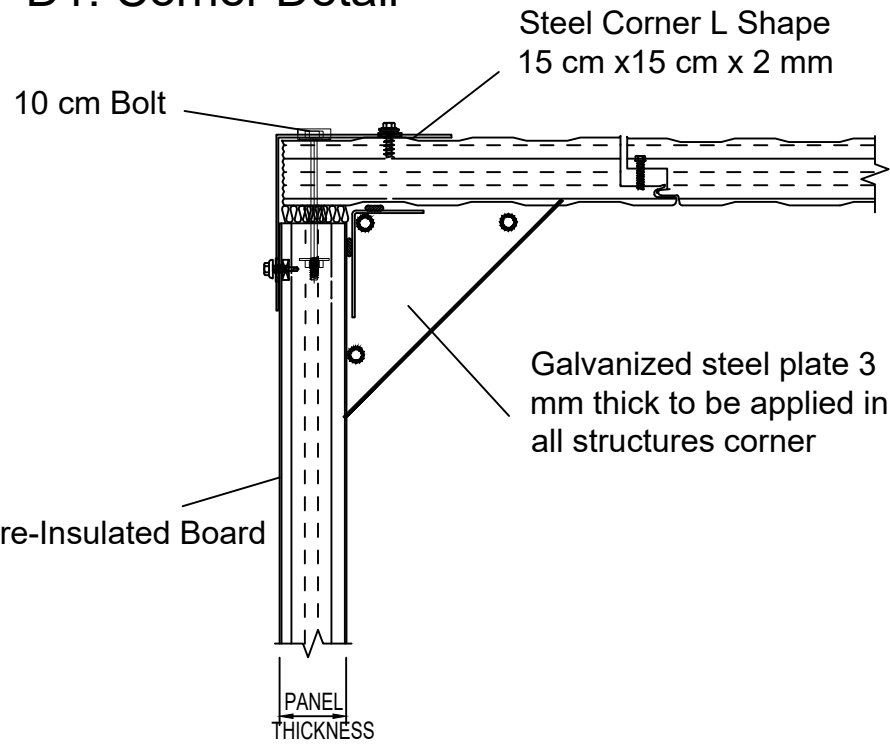
Plan Name :

Agricultural Structure 22 m²

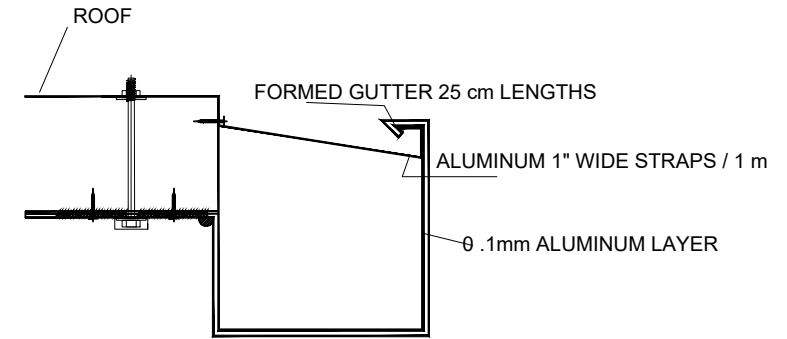
Date :

2021

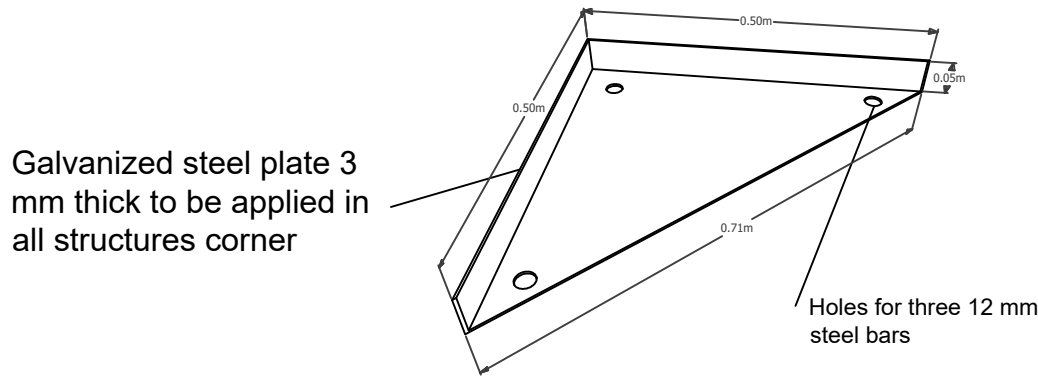
D1: Corner Detail



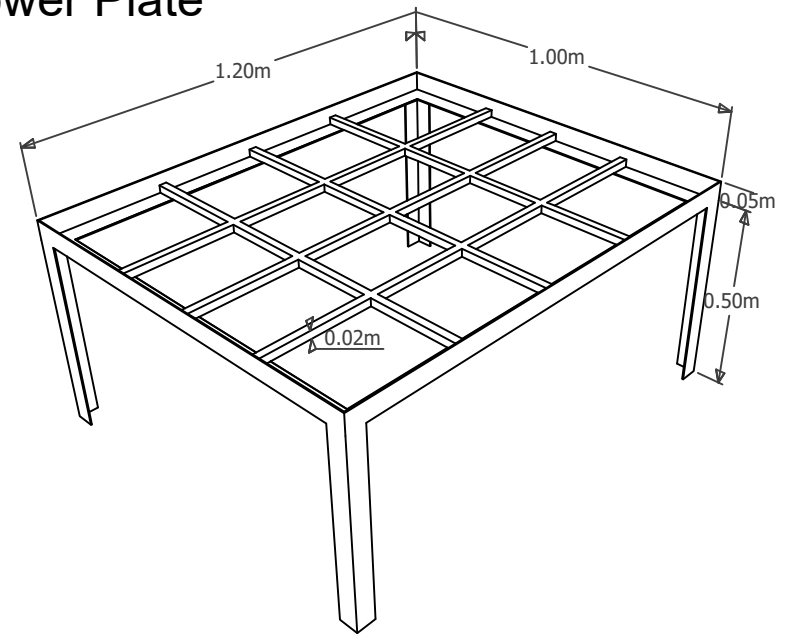
D2: Roof water Gutter



D3: Corner Plate Detail



D4: Shower Plate



Agency:



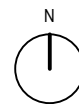
Funded by:

Humanitarian Aid
and Civil Protection - ECHO



Humanitarian Aid
and Civil Protection

Agency : ACTED
Program : Emergency Project
Scale : 1:50
Designer: ACTED Technical Team



Design Code :

AS

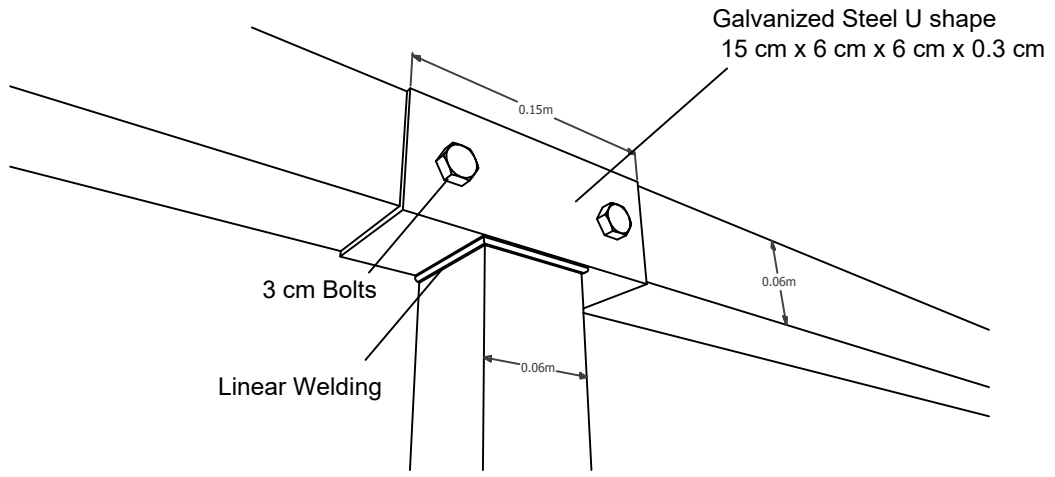
Plan Name :

Agricultural Structure 22 m²

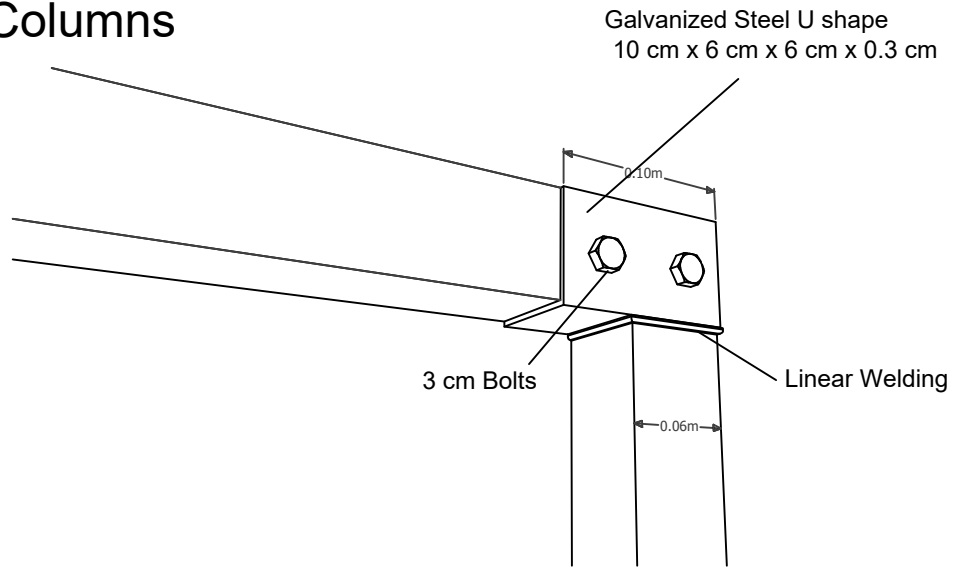
Date :

2021

D5: Mid-Column

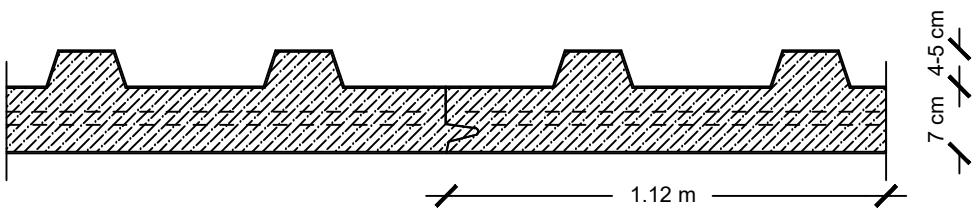


D6: Columns

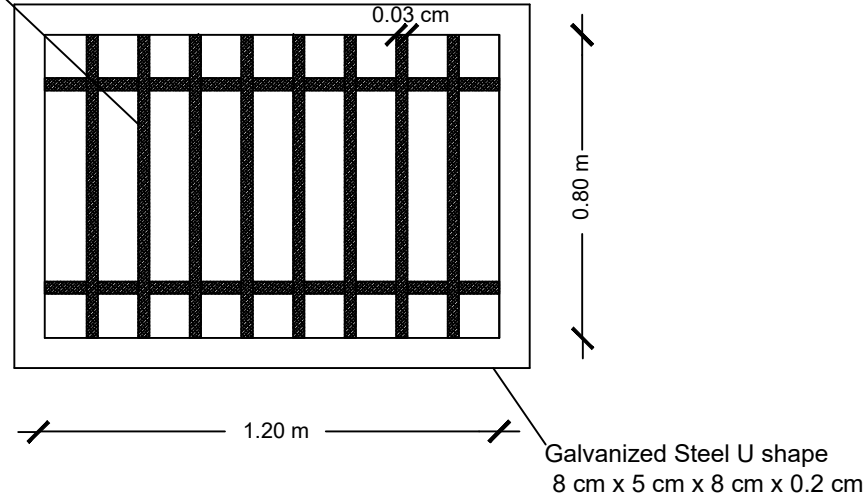


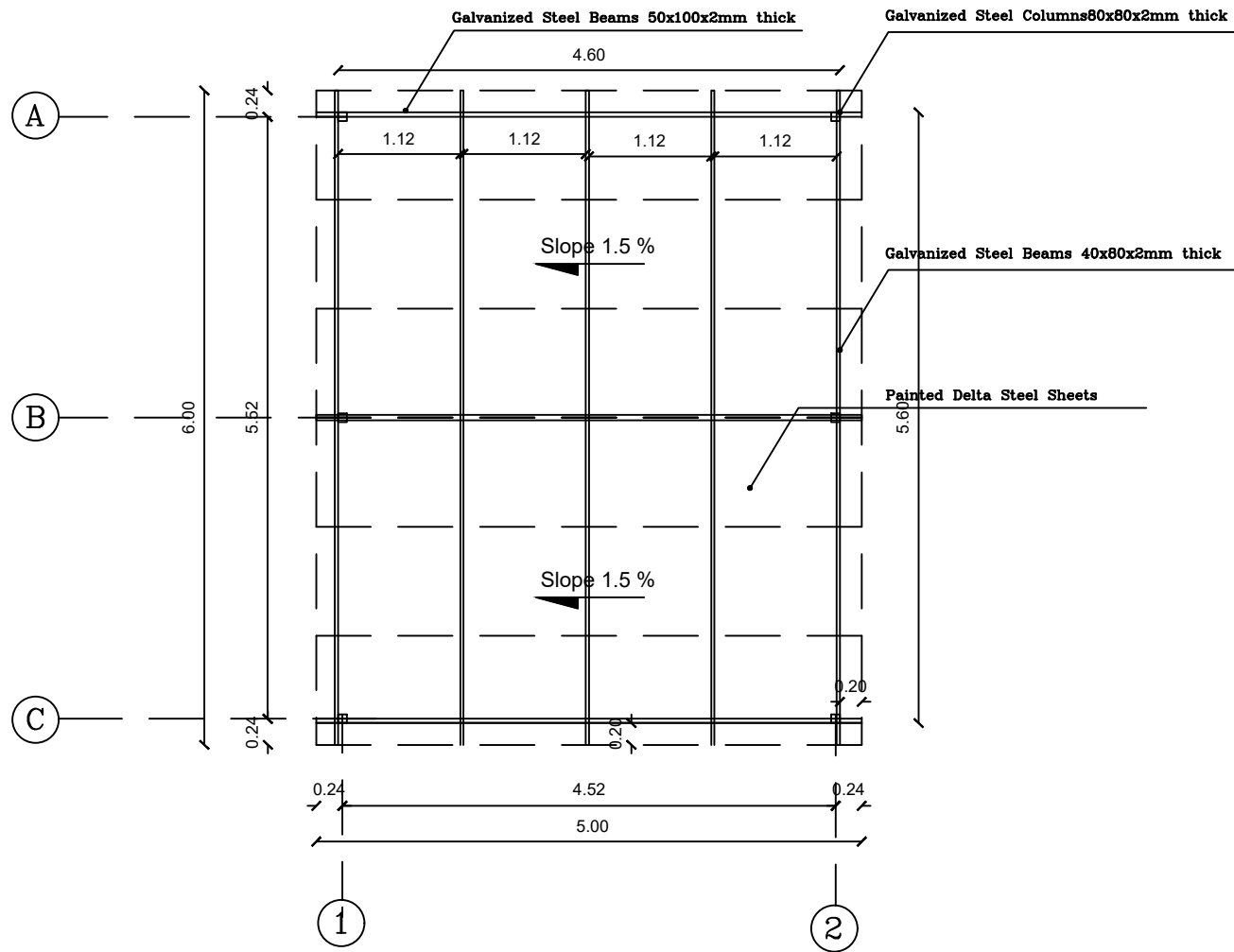
All Columns section = 6 x 6 x 0.3 cm

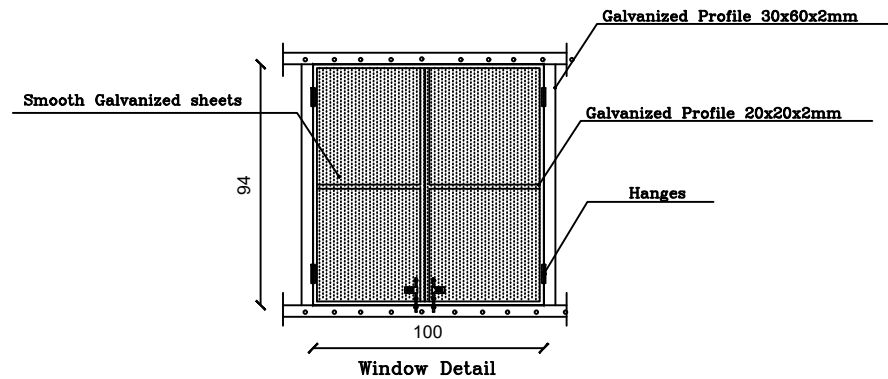
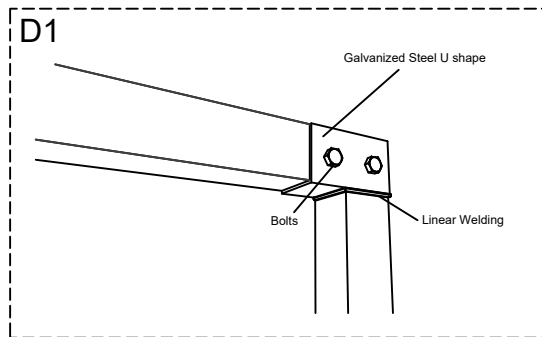
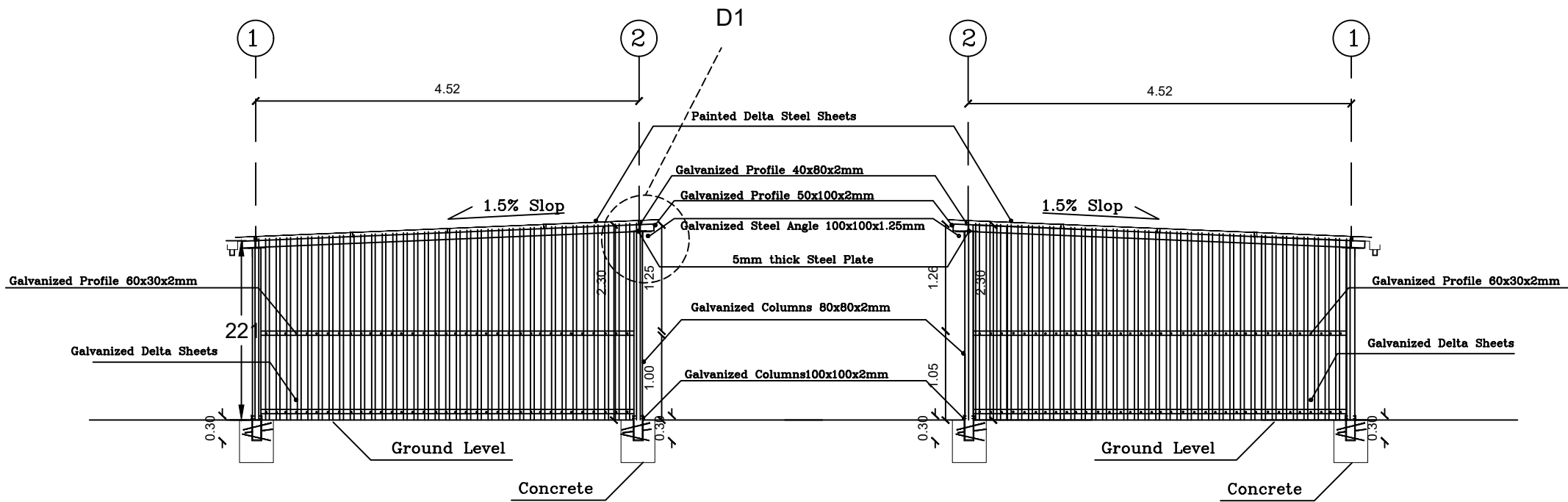
D7: Roof Detail



Galvanized Steel 1 cm x 1 cm







Agency:

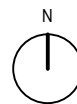


Funded by:

Humanitarian Aid
and Civil Protection - ECHO



Agency : ACTED
Program : Emergency Project
Scale : 1:50
Designer: ACTED Technical Team



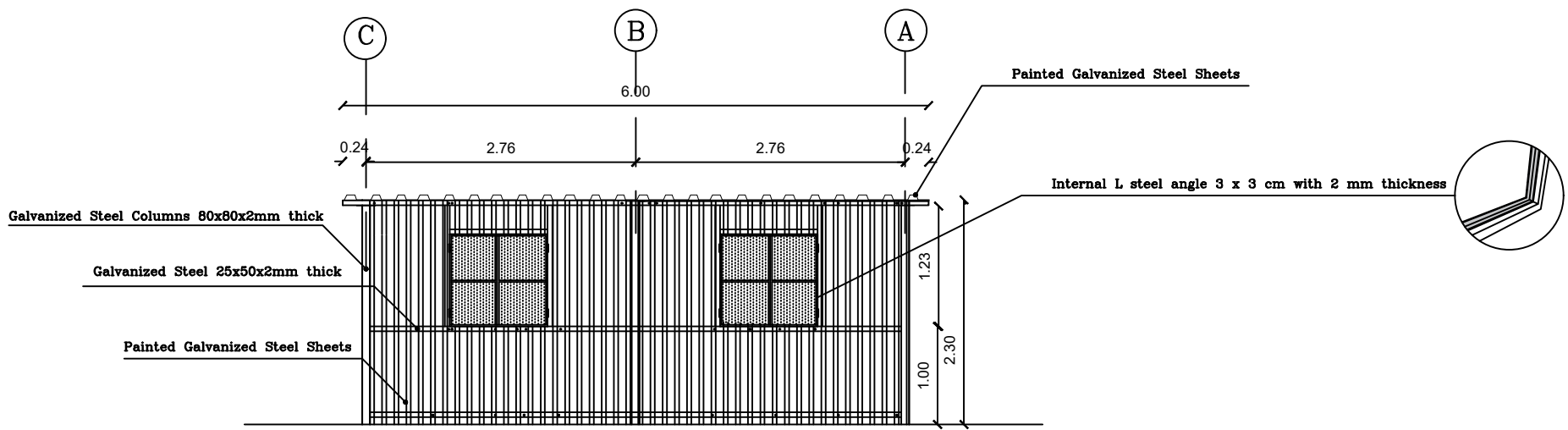
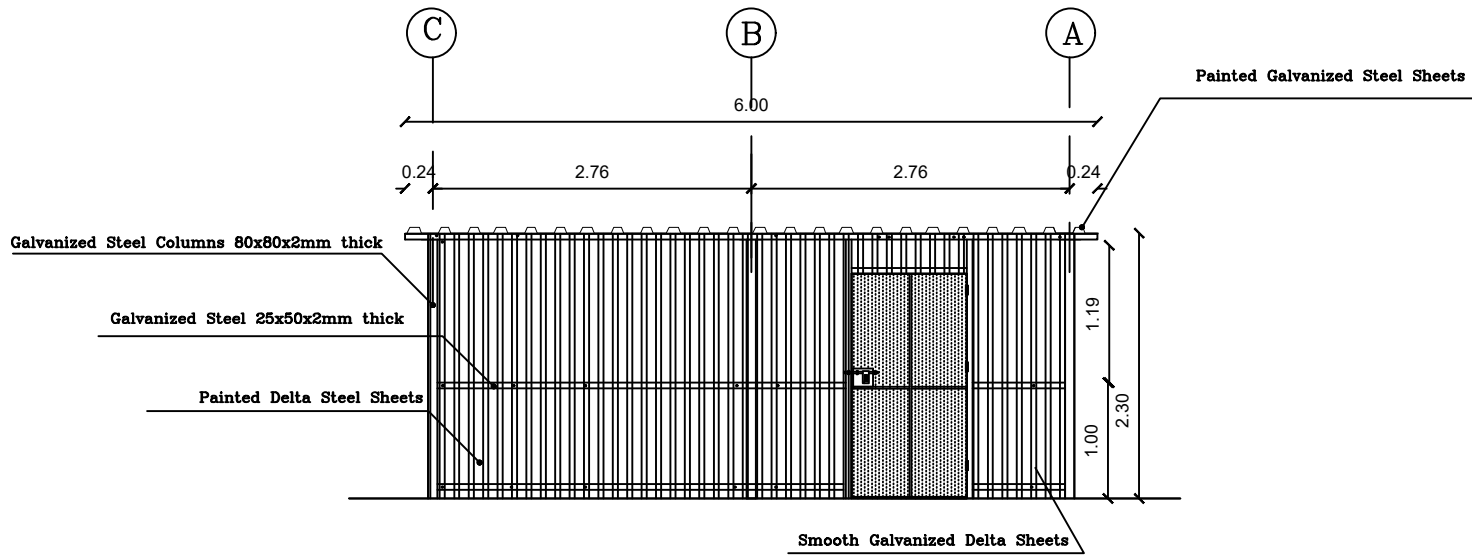
Design Code :
RS26

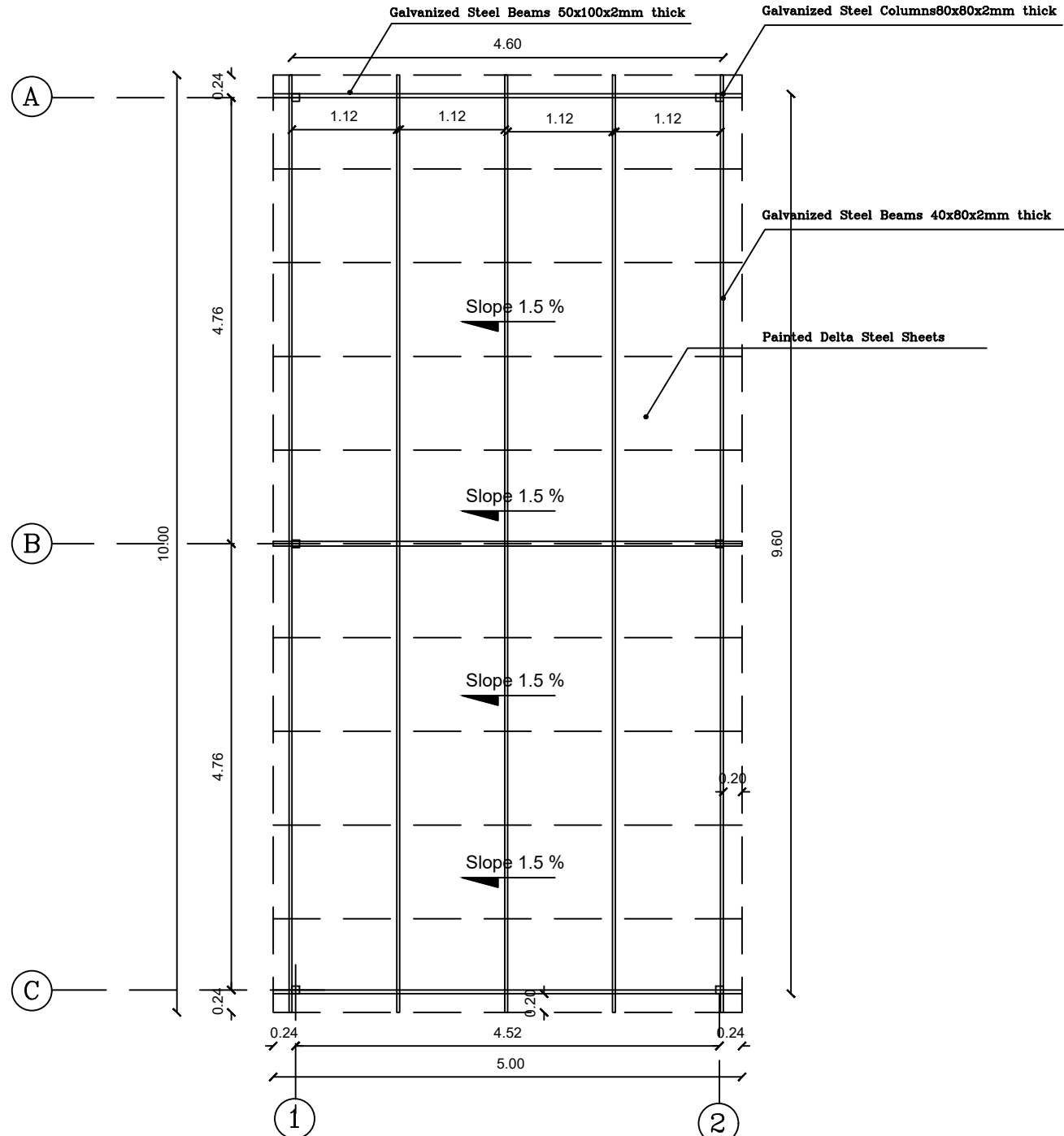
Plan Name :

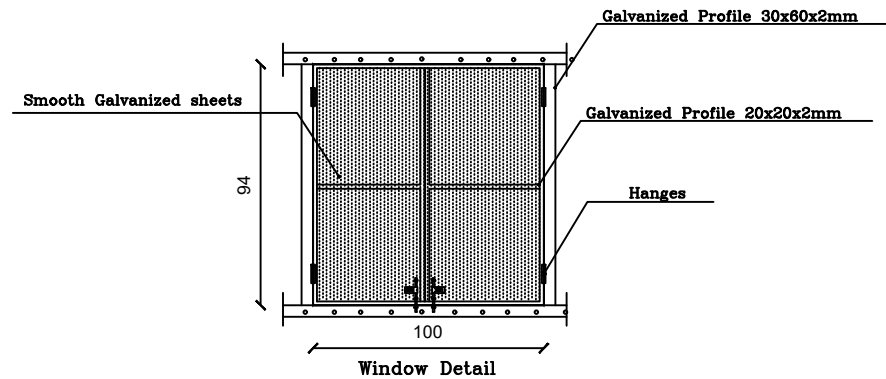
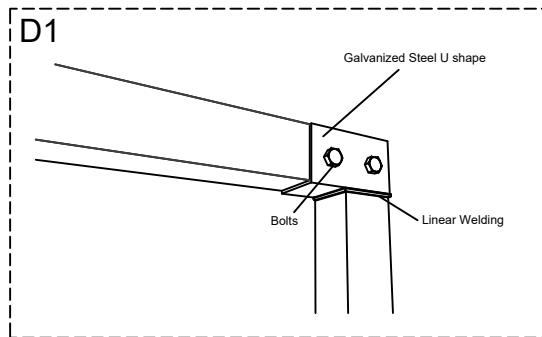
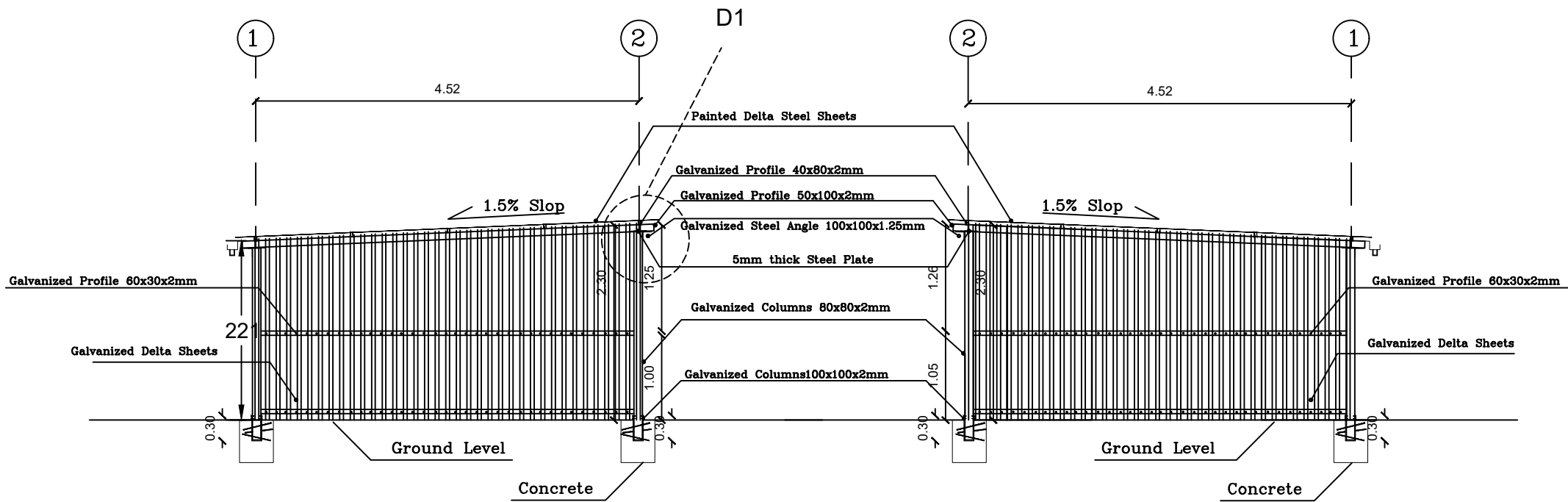
Residential Metal Shed 26 m²

Date :

2021







Agency:



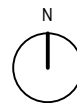
Funded by:

Humanitarian Aid
and Civil Protection - ECHO



Humanitarian Aid
and Civil Protection

Agency : ACTED
Program : Emergency Project
Scale : 1:50
Designer: ACTED Technical Team



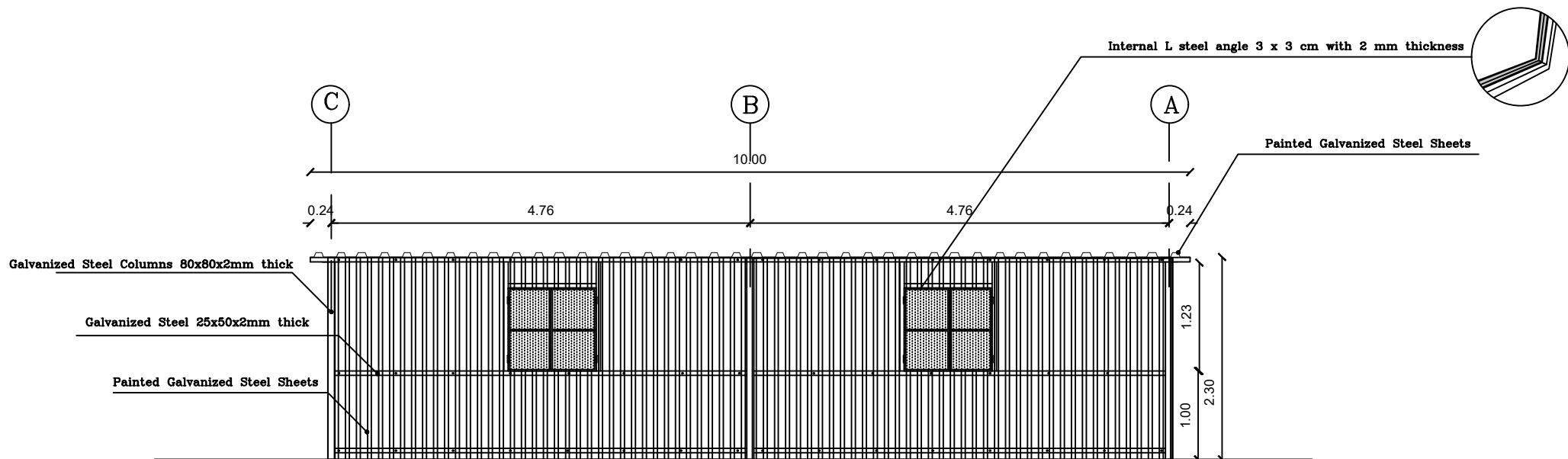
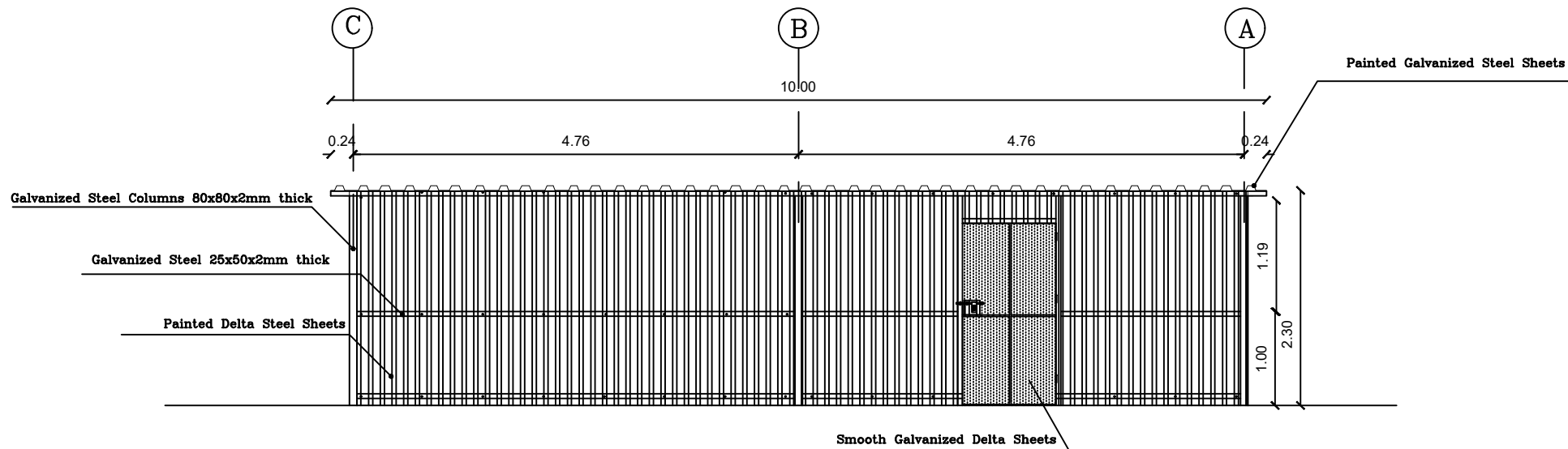
Design Code :
RS44

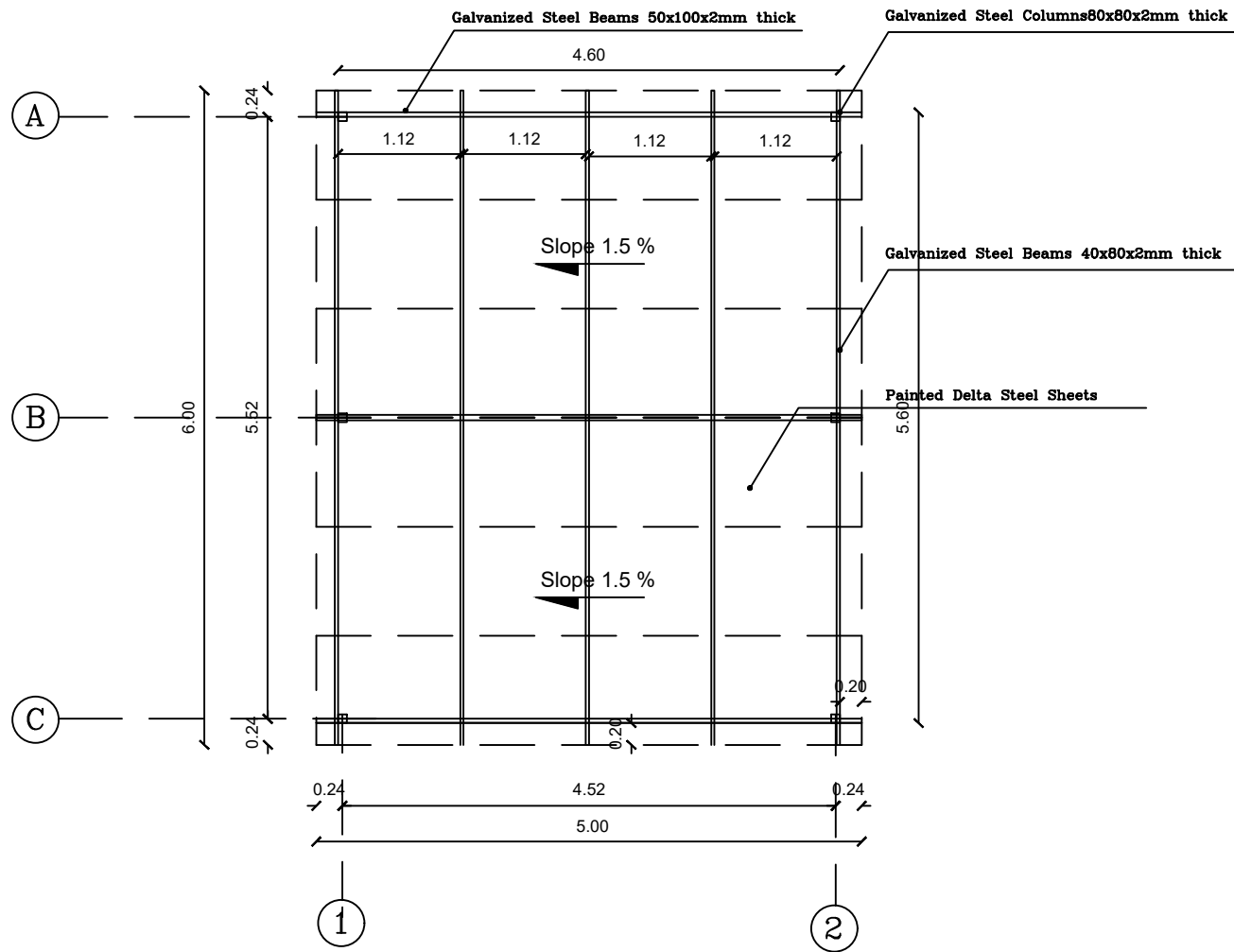
Plan Name :

Residential Metal Shed 44 m²

Date :

2021





Agency:

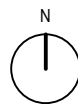


Funded by:

Humanitarian Aid
and Civil Protection - ECHO



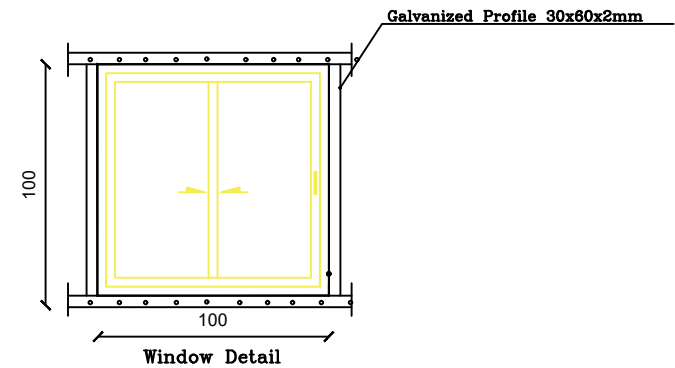
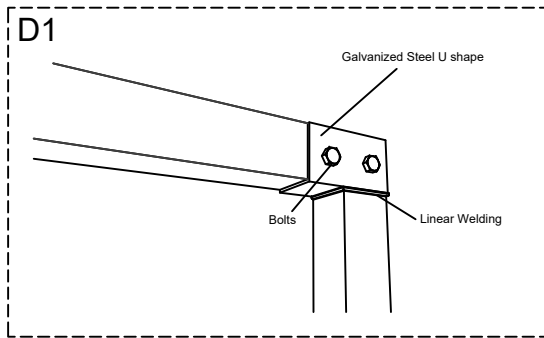
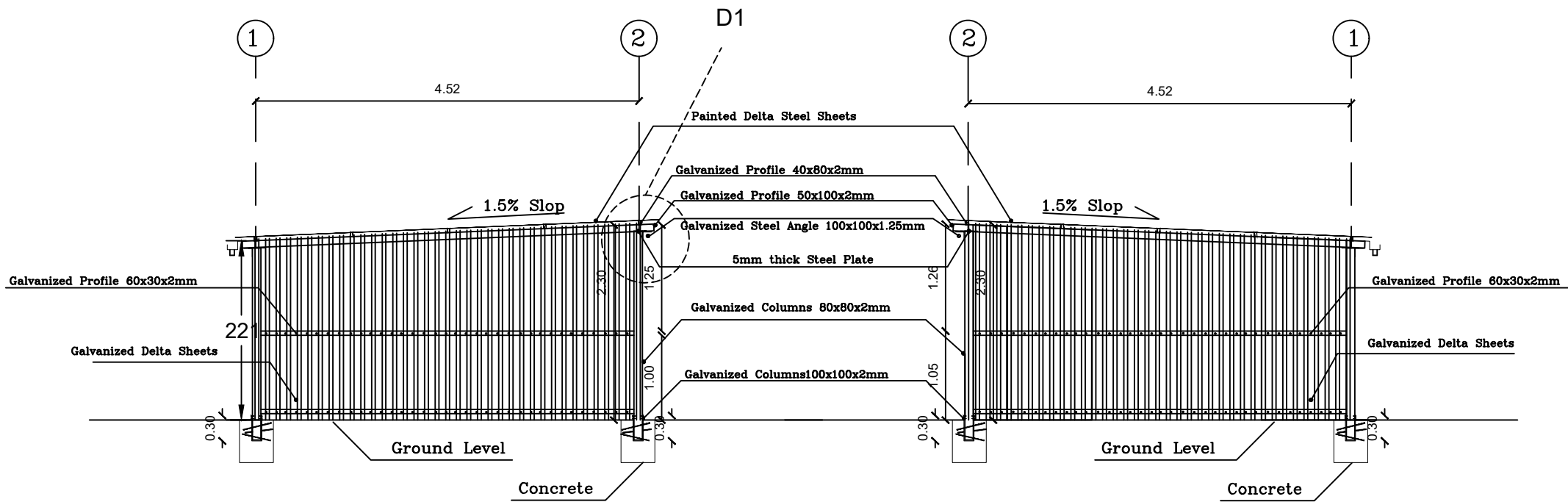
Agency : ACTED
Program : Emergency Project
Scale : 1:50
Designer: ACTED Technical Team

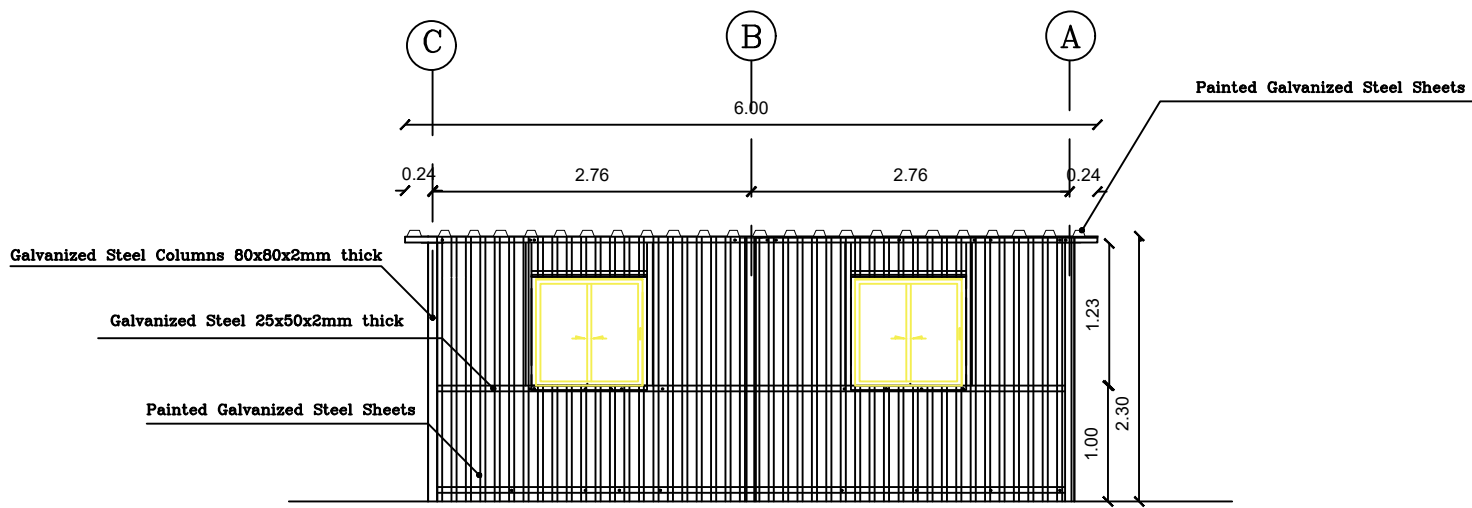
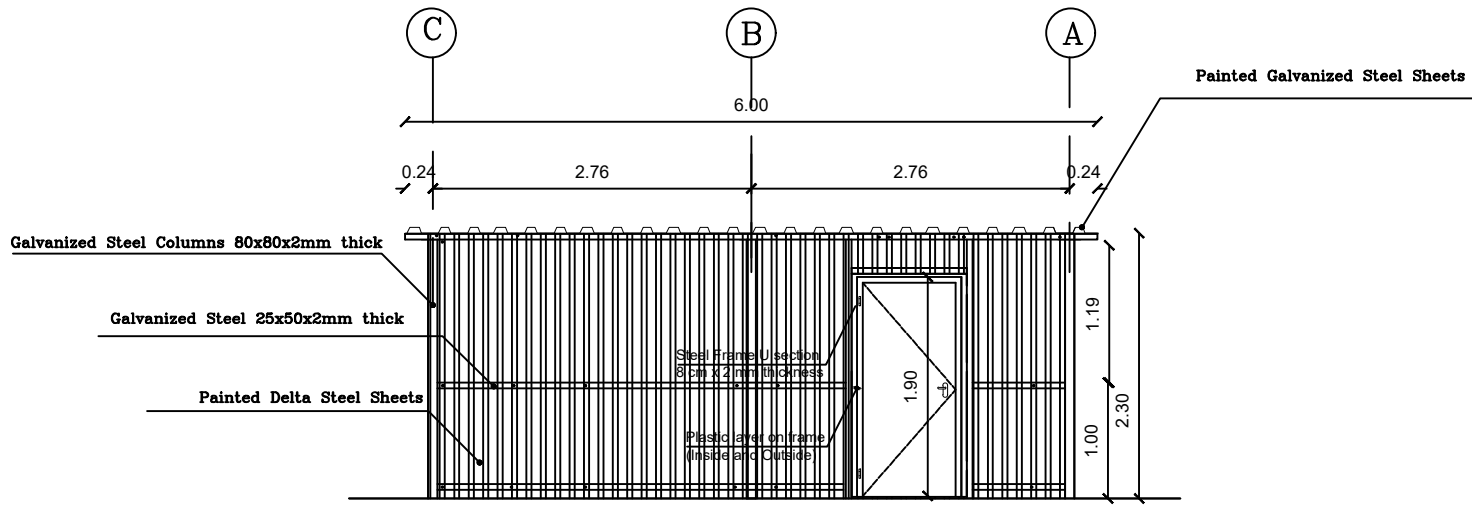


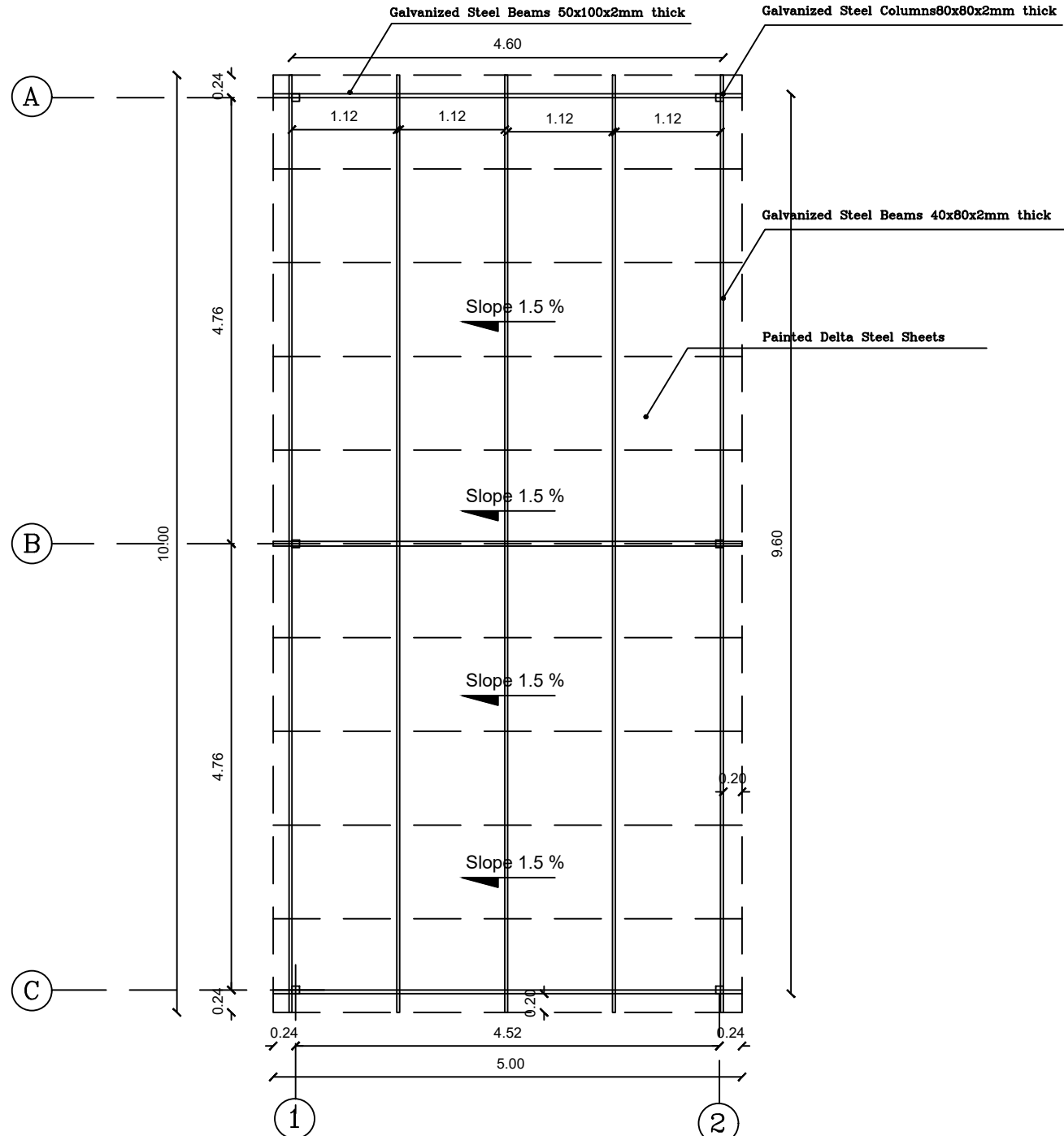
Design Code :
RS26

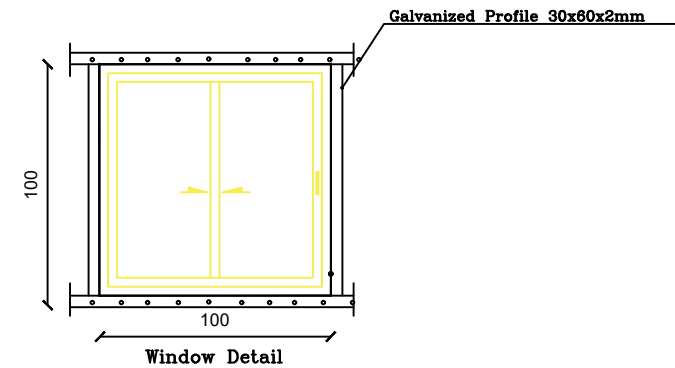
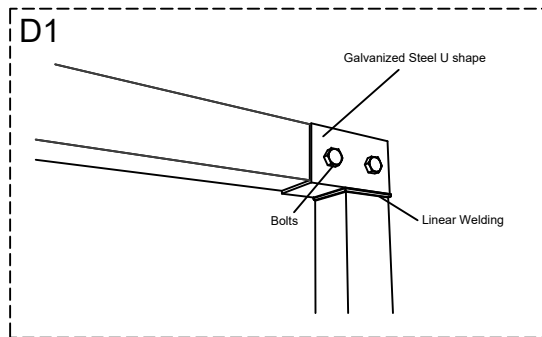
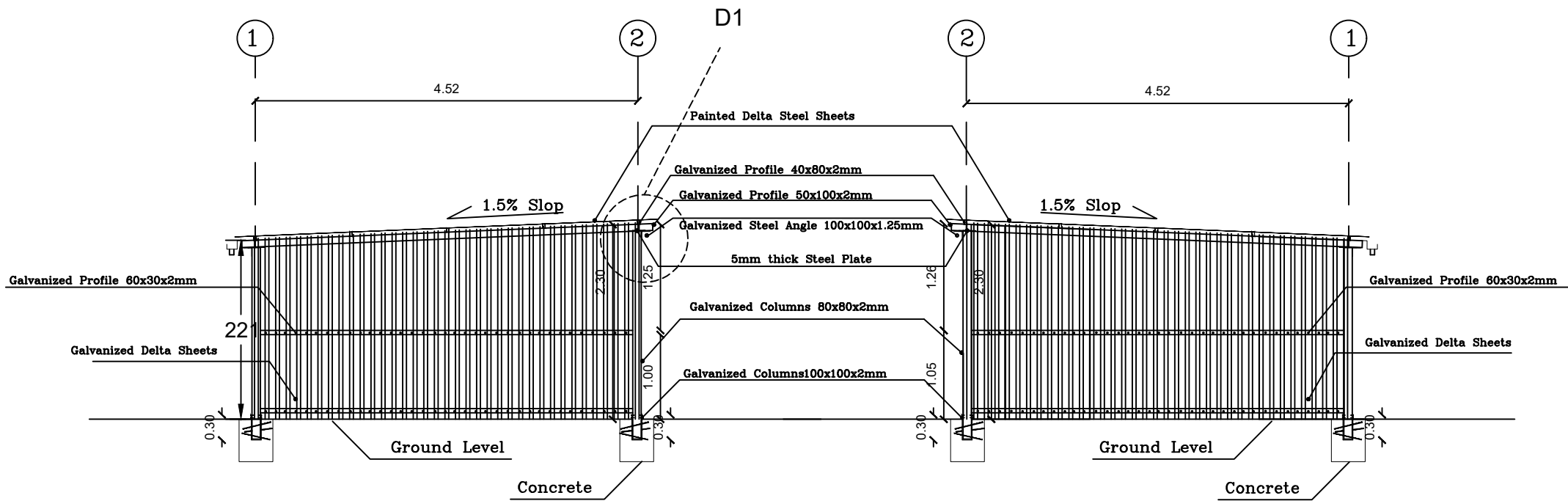
Plan Name :
**Isolated Residential
Metal Shed 26 m²**

Date :
2021









Agency:

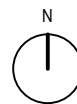


Funded by:

Humanitarian Aid
and Civil Protection - ECHO



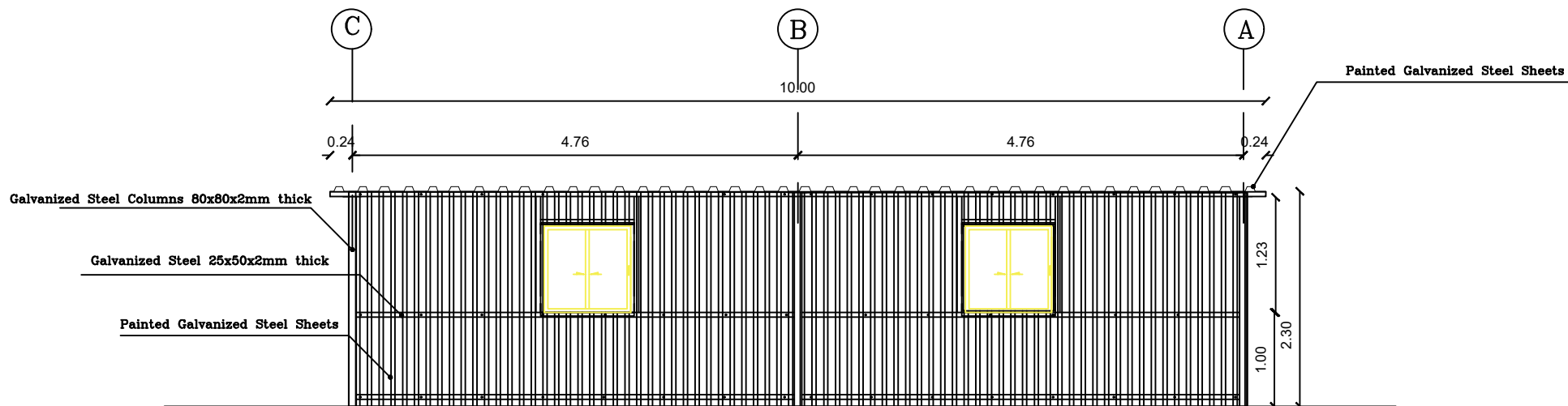
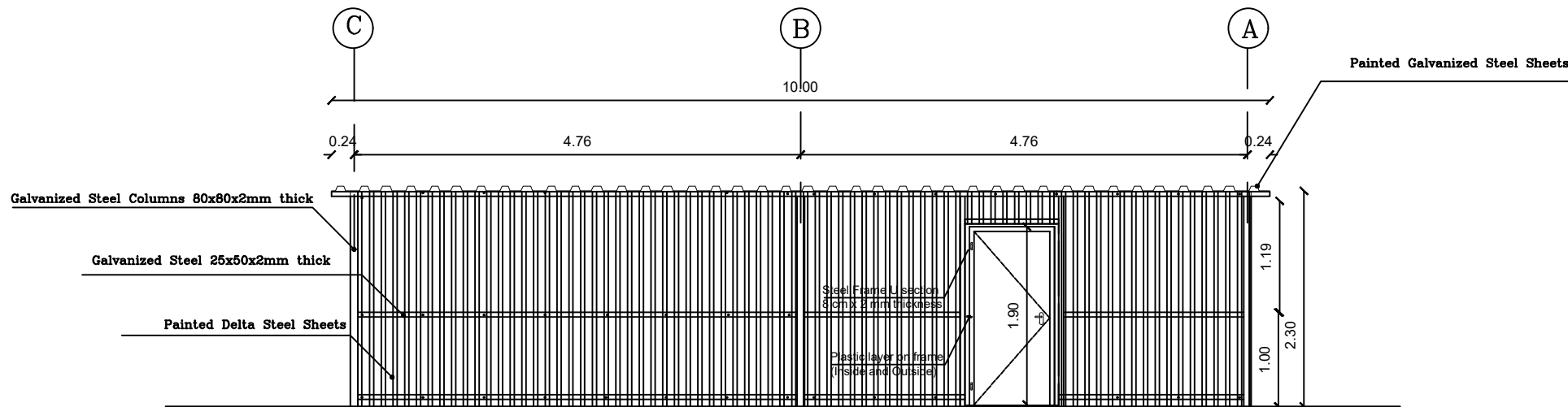
Agency : ACTED
Program : Emergency Project
Scale : 1:50
Designer: ACTED Technical Team

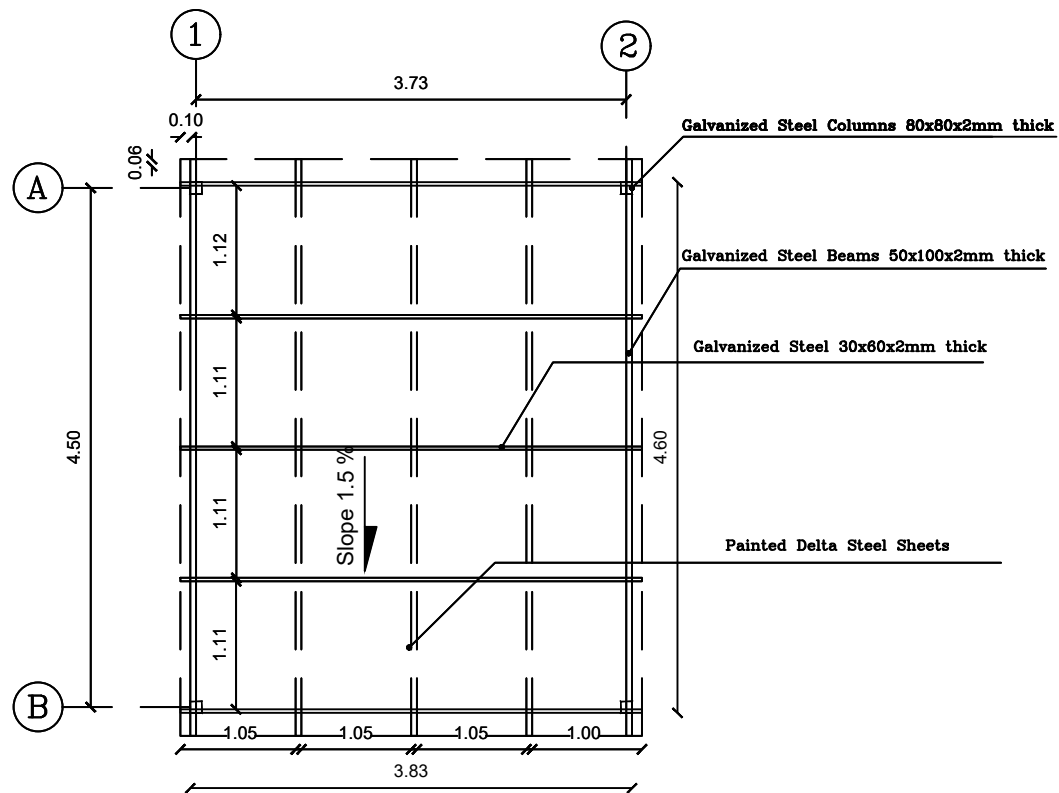


Design Code :
RS44

Plan Name : **Isolated Residential
Metal Shed 44 m²**

Date :
2021





Agency:



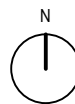
Funded by:

Humanitarian Aid
and Civil Protection - ECHO



Humanitarian Aid
and Civil Protection

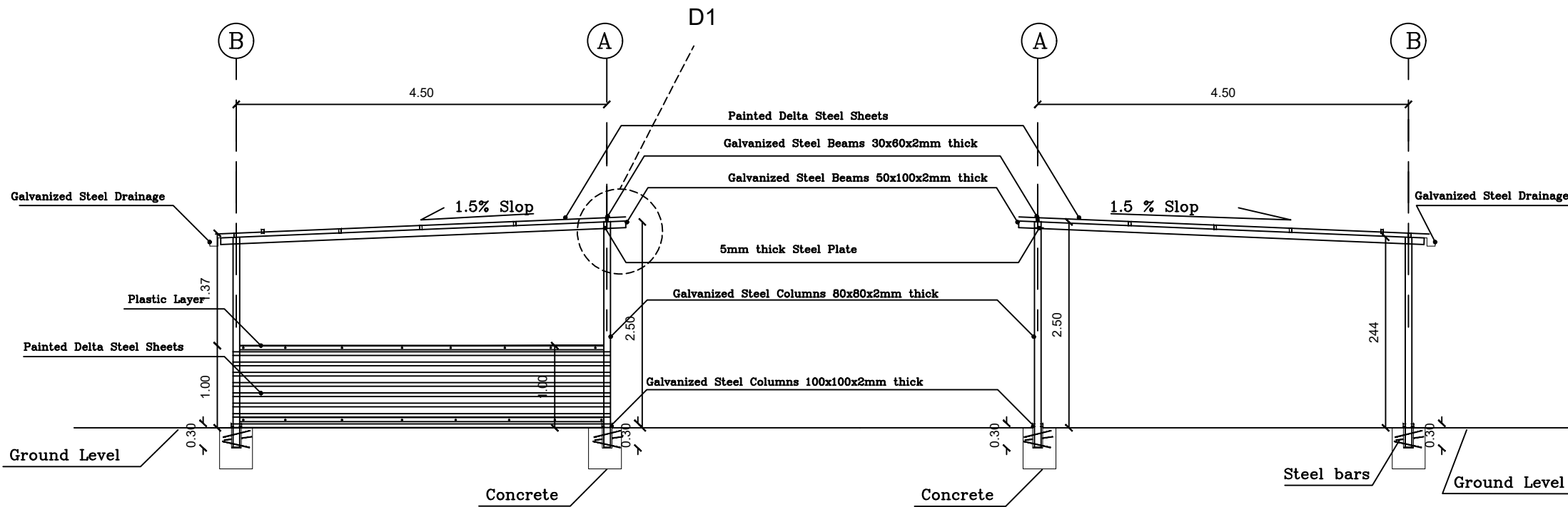
Agency : ACTED
Program : Emergency Project
Scale : 1:50
Designer: ACTED Technical Team

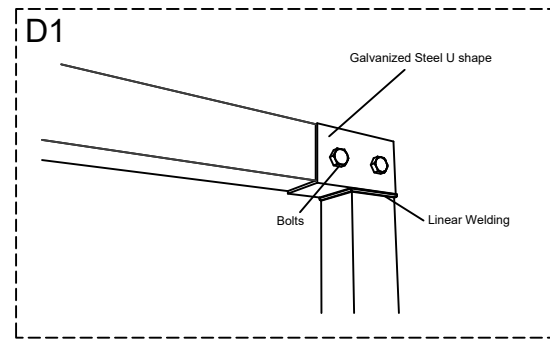
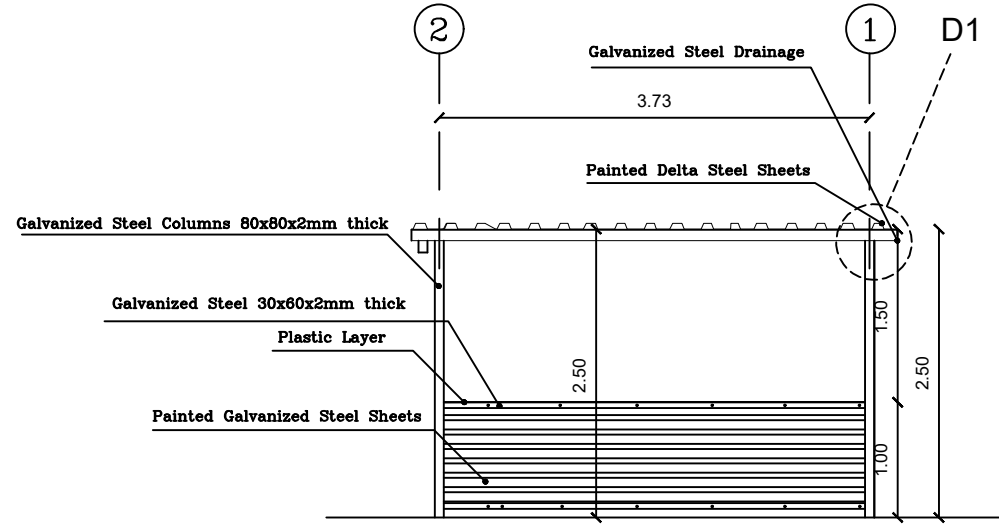
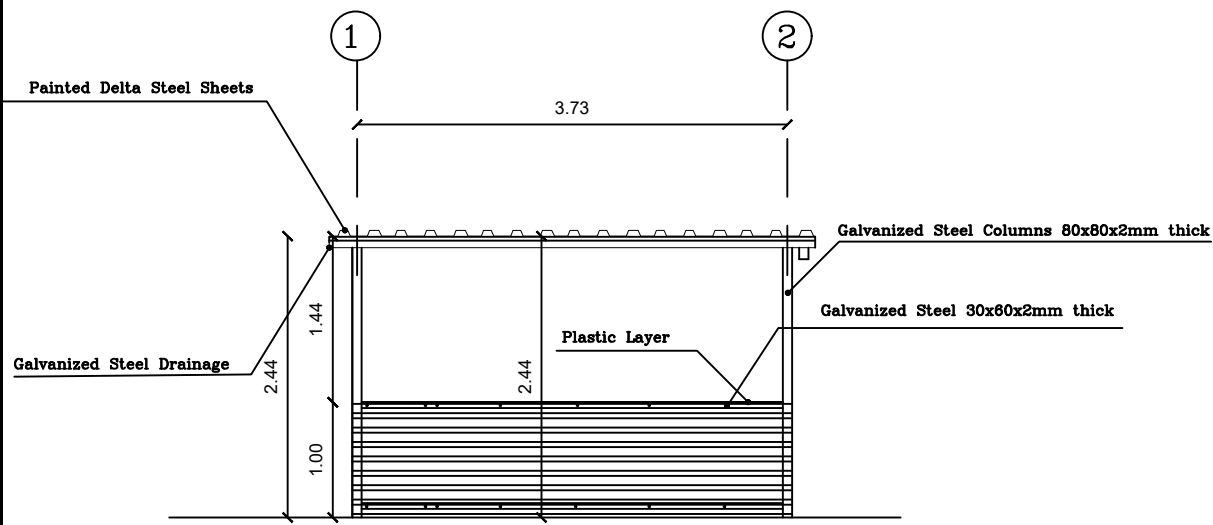


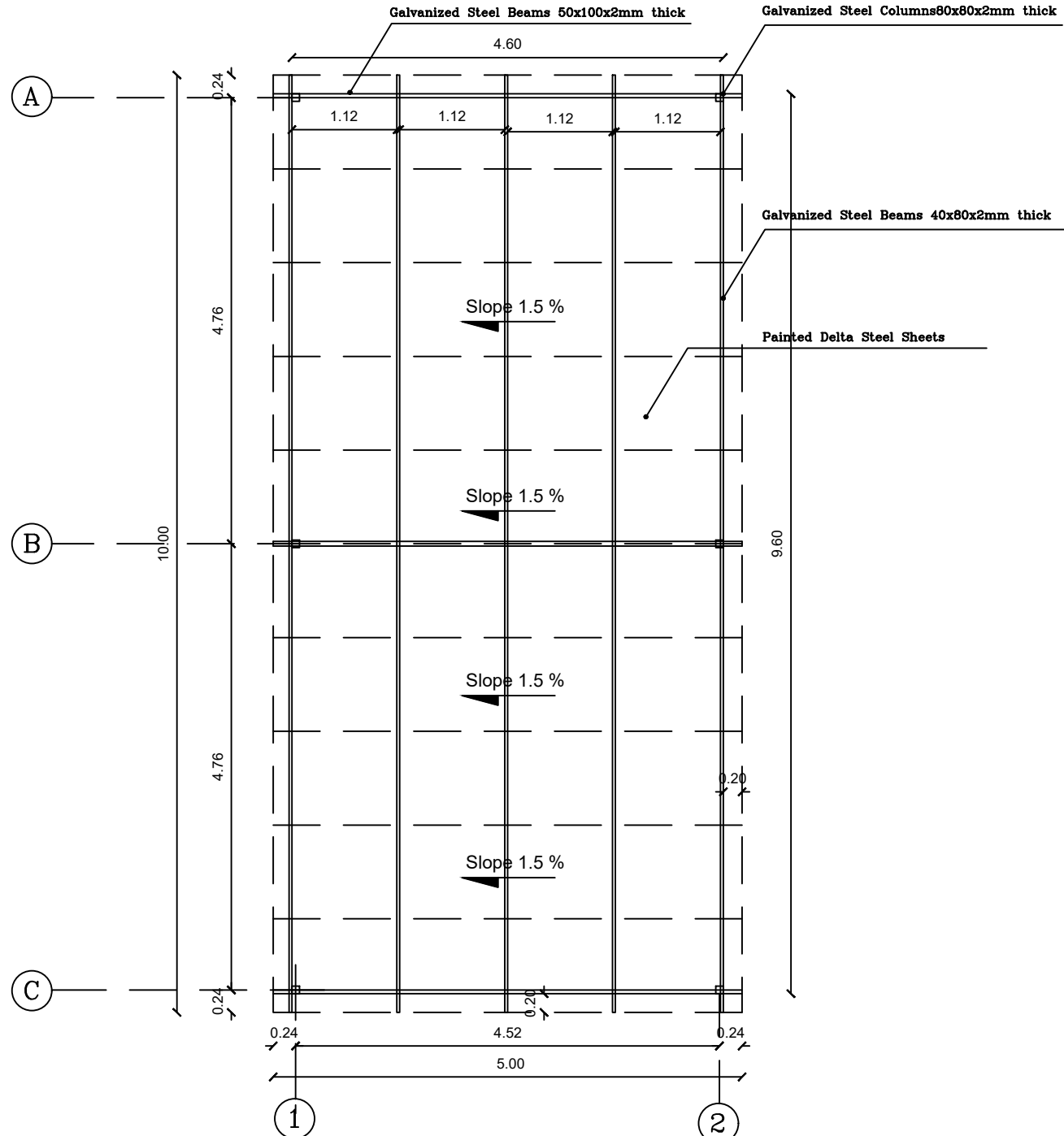
Design Code :
LS18

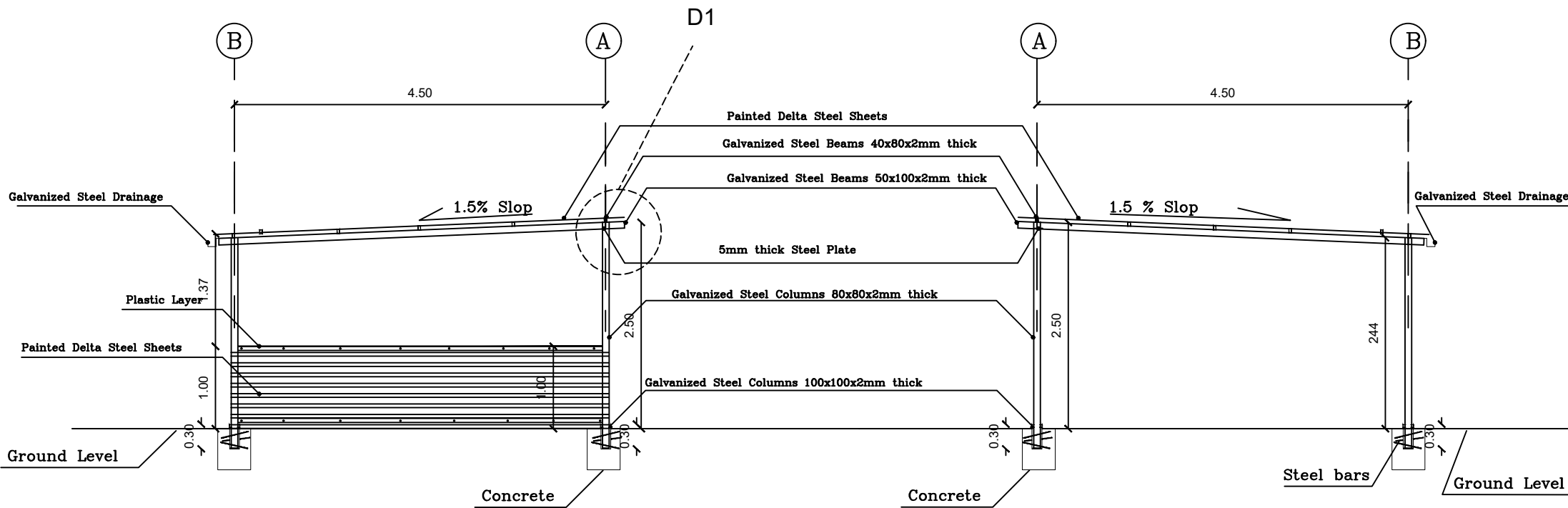
Plan Name :
Livelihood Metal Shed 18 m²

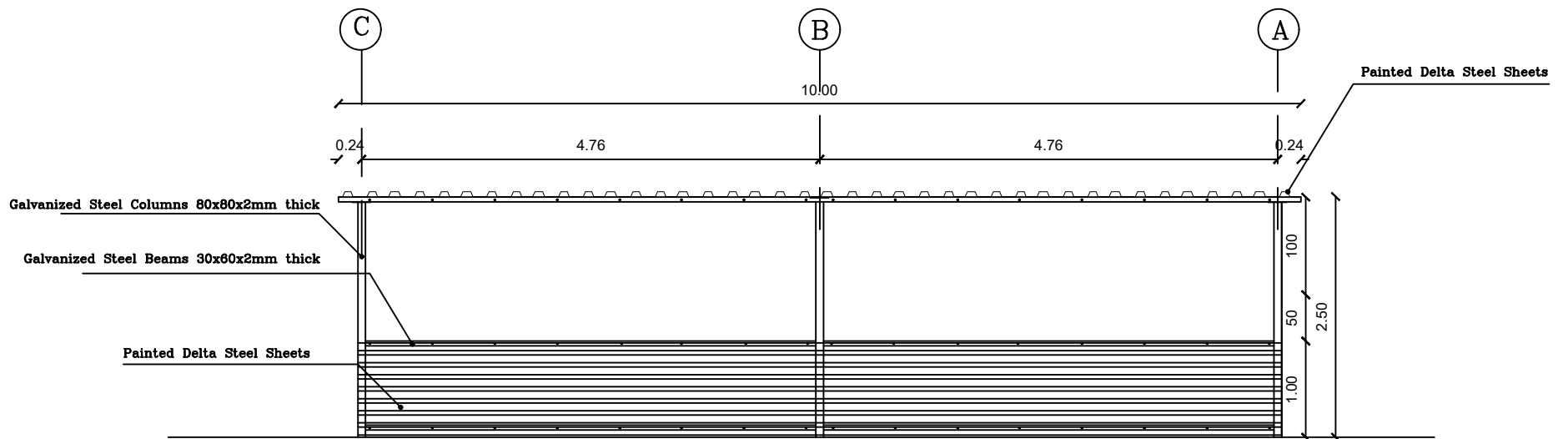
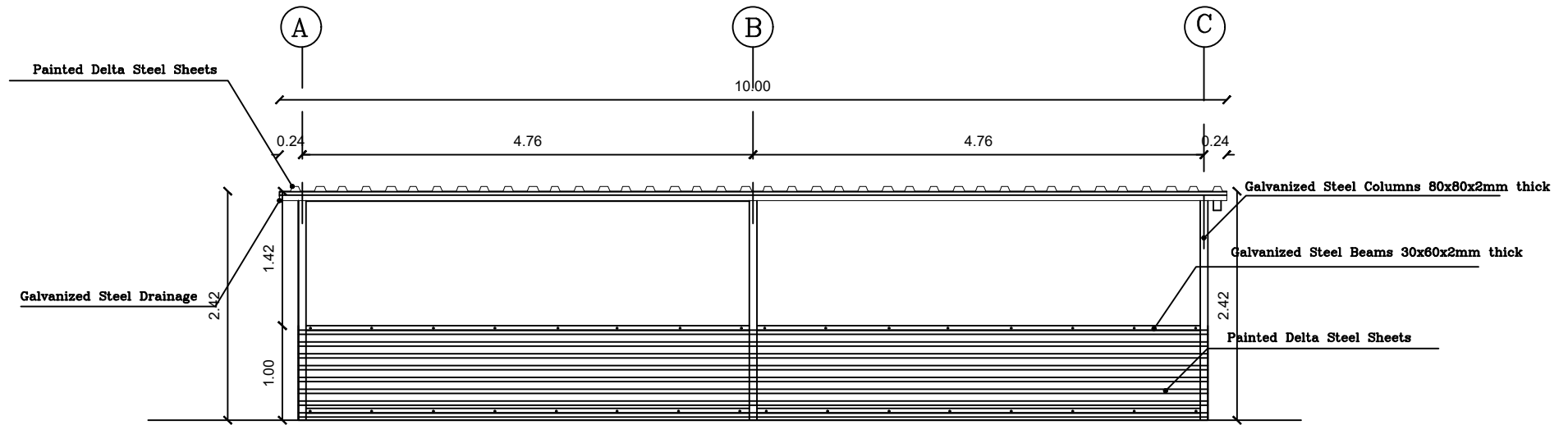
Date :
2021











Agency:

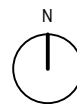


Funded by:

Humanitarian Aid
and Civil Protection - ECHO



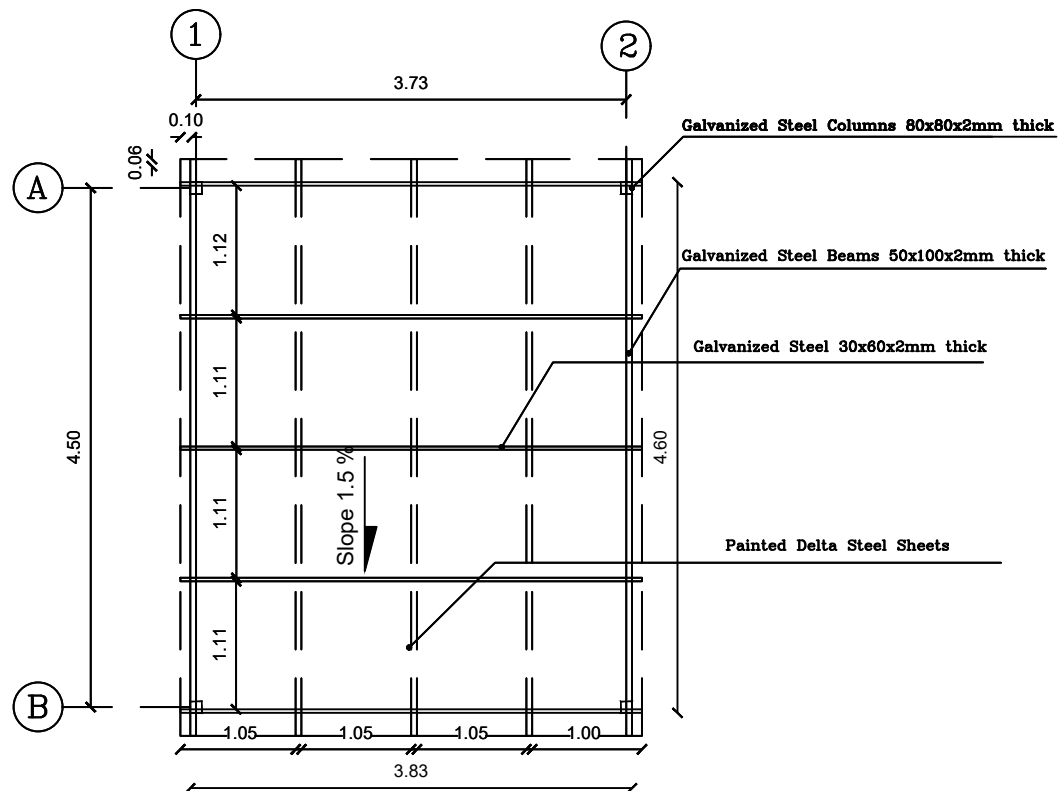
Agency : ACTED
Program : Emergency Project
Scale : 1:50
Designer: ACTED Technical Team



Design Code :
LS44

Plan Name :
Livelihood Metal Shed 44 m²

Date :
2021



Agency:



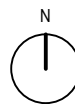
Funded by:

Humanitarian Aid
and Civil Protection - ECHO



Humanitarian Aid
and Civil Protection

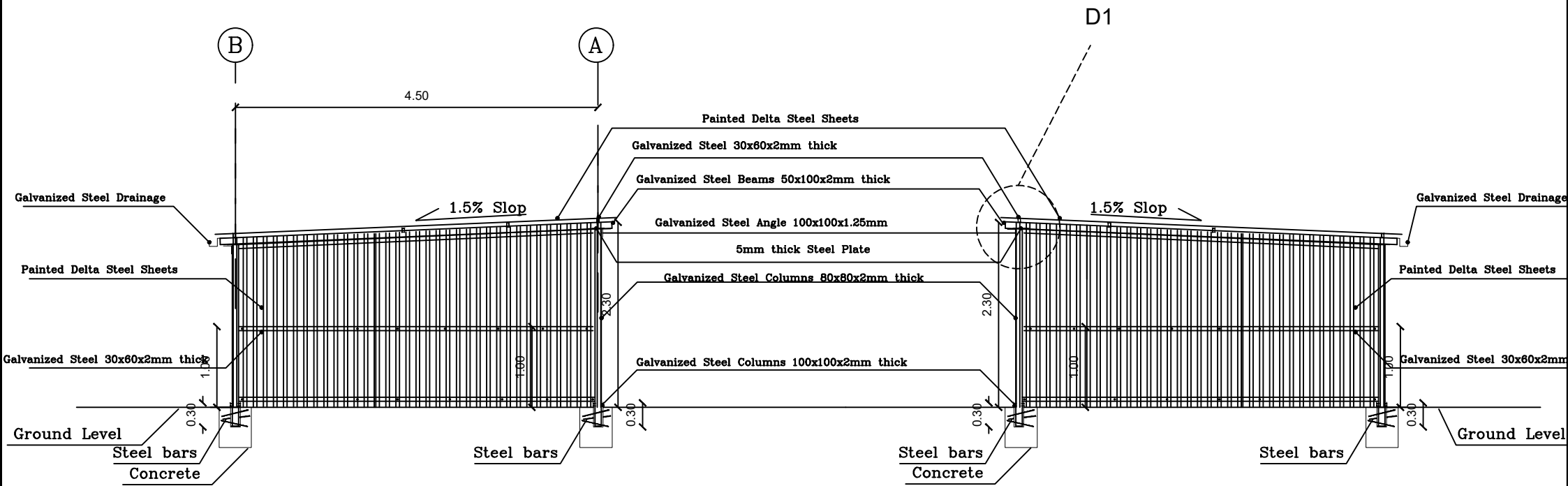
Agency : ACTED
Program : Emergency Project
Scale : 1:50
Designer: ACTED Technical Team



Design Code :
SS18

Plan Name :
Storage Metal Shed 18 m²

Date :
2021



Agency:

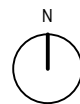


Funded by:

Humanitarian Aid
and Civil Protection - ECHO



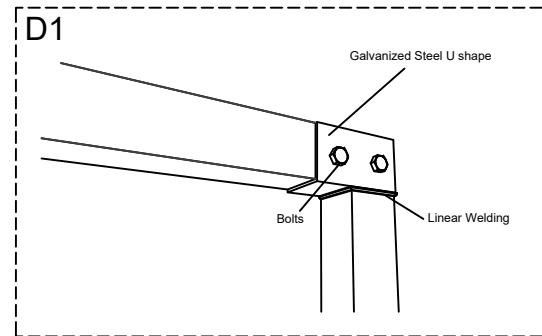
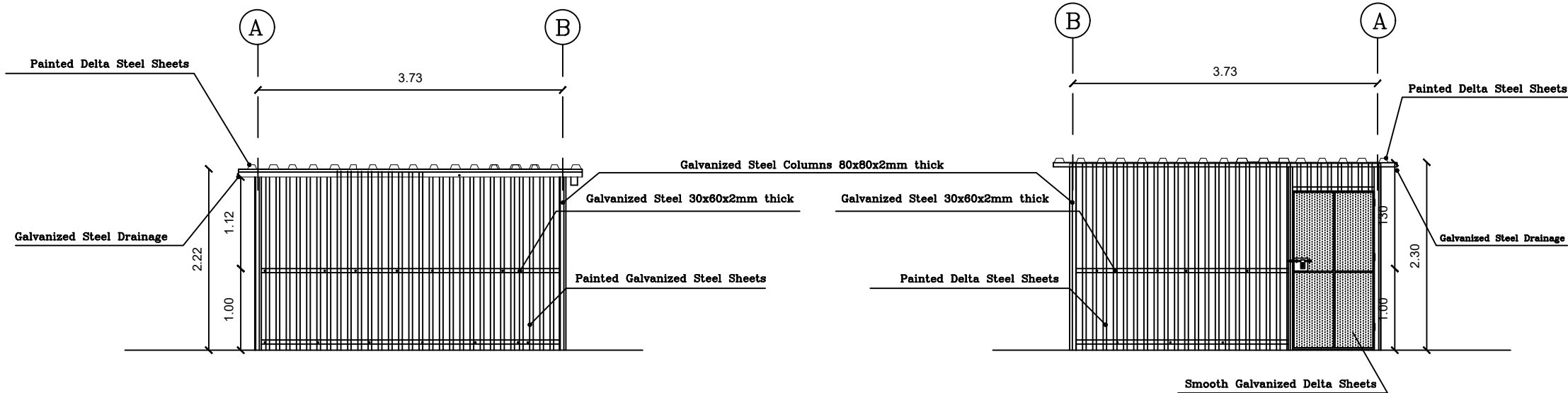
Agency : ACTED
Program : Emergency Project
Scale : 1:50
Designer: ACTED Technical Team

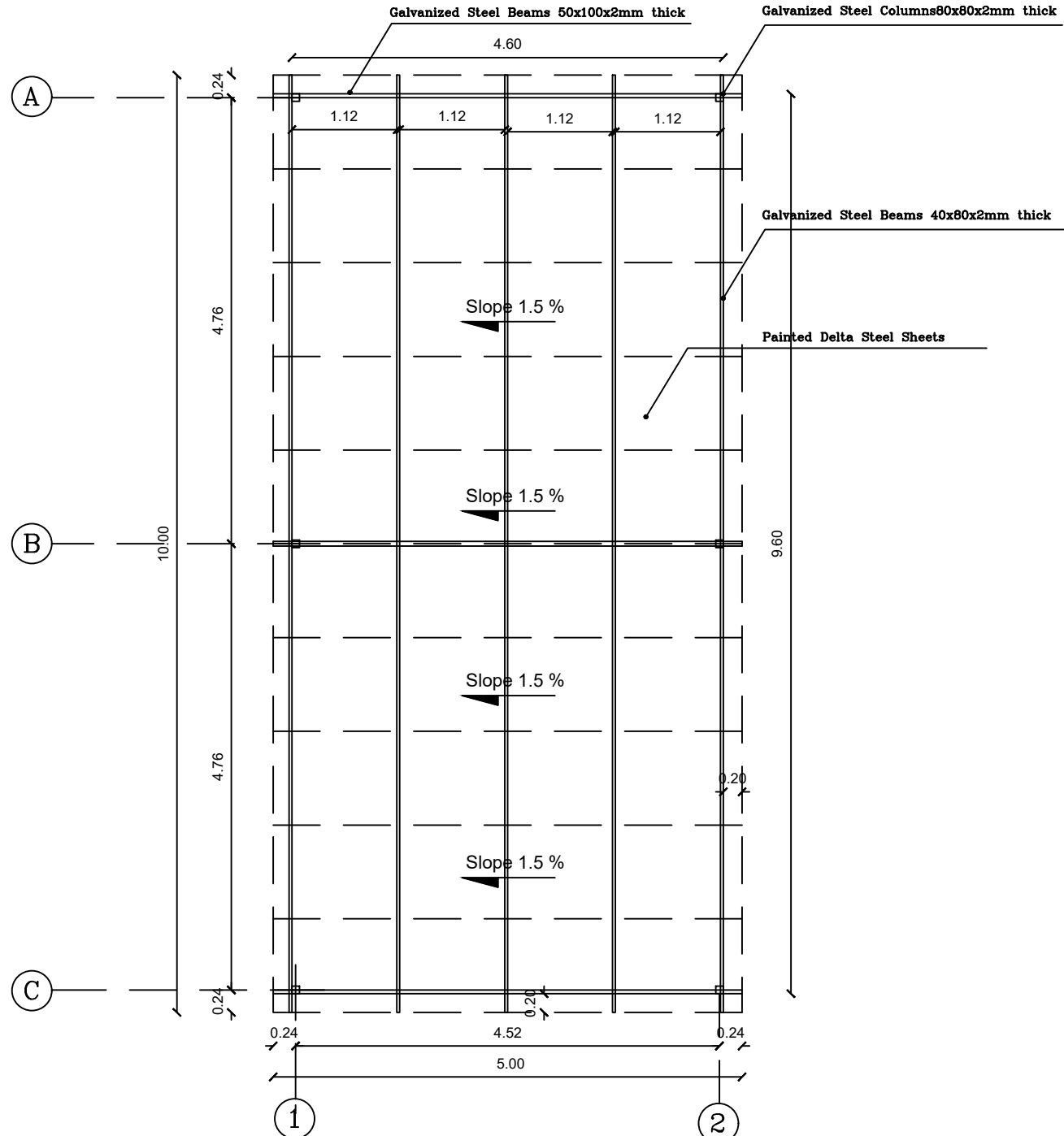


Design Code :
SS18

Plan Name :
Storage Metal Shed 18 m²

Date :
2021

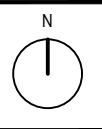




Agency:  **ACTED**

Funded by:
Humanitarian Aid
and Civil Protection - ECHO 
Humanitarian Aid
and Civil Protection

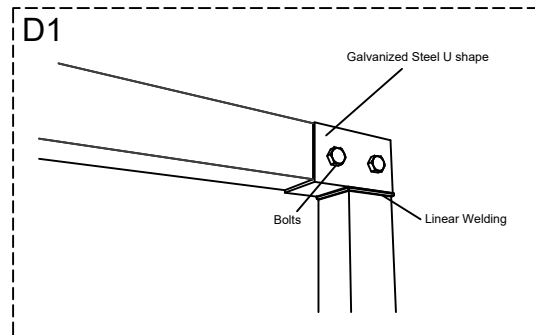
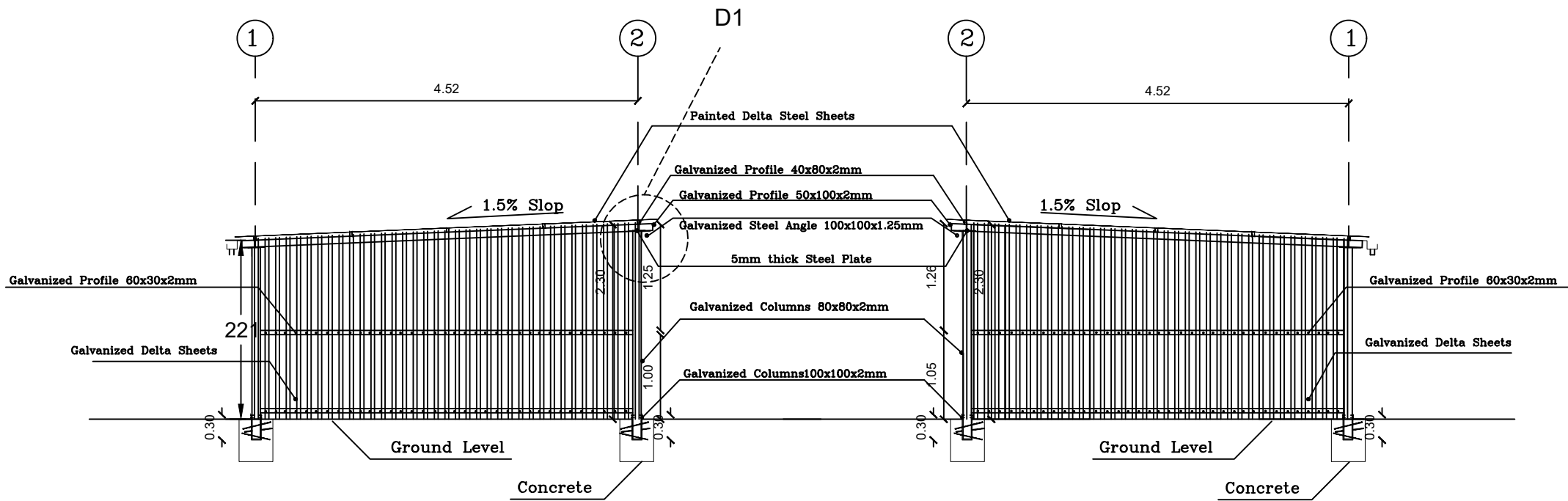
Agency : ACTED
Program : Emergency Project
Scale : 1:50
Designer: ACTED Technical Team



Design Code :
SS44

Plan Name :
Storage Metal Shed 44 m²

Date :
2021



Agency:



Funded by:

Humanitarian Aid
and Civil Protection - ECHO



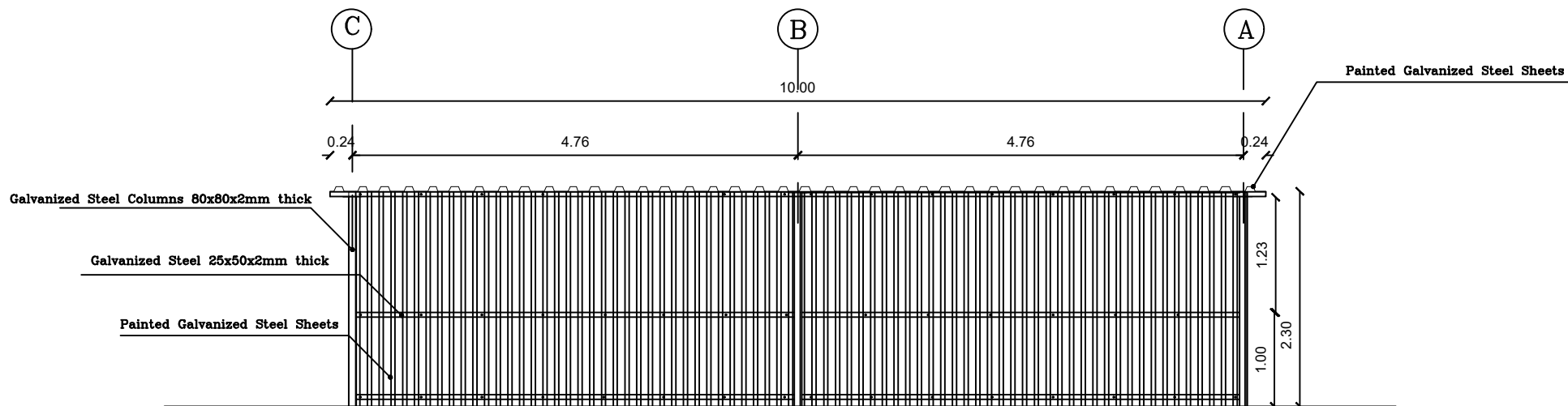
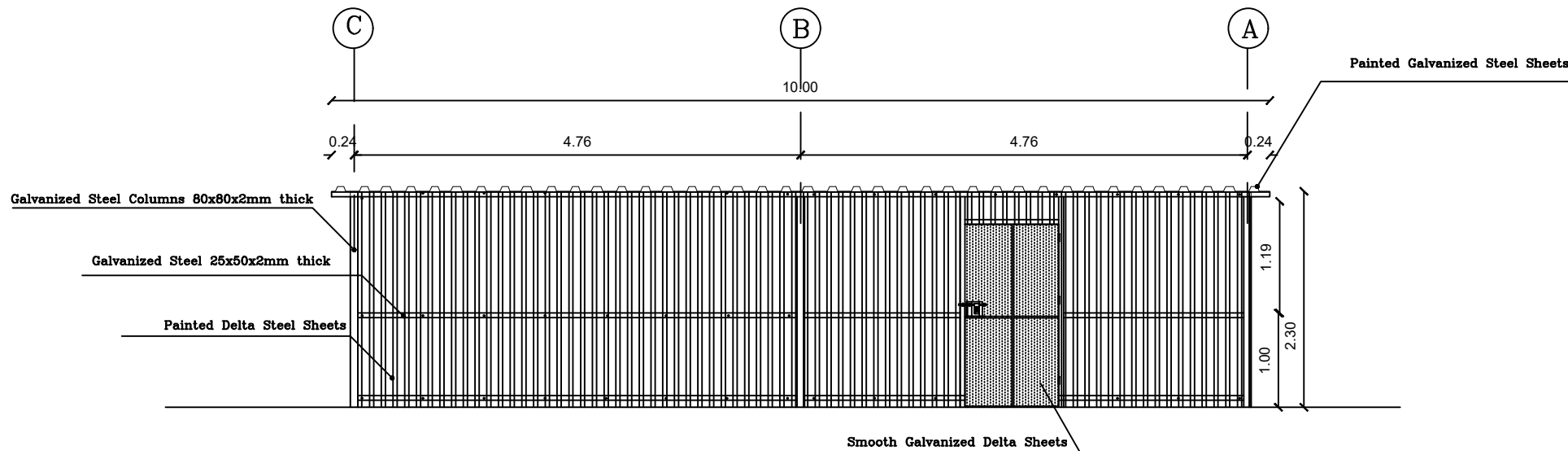
Agency : ACTED
Program : Emergency Project
Scale : 1:50
Designer: ACTED Technical Team



Design Code :
SS44

Plan Name :
Storage Metal Shed 44 m²

Date :
2021



Agency:

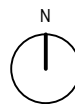


Funded by:

Humanitarian Aid
and Civil Protection - ECHO



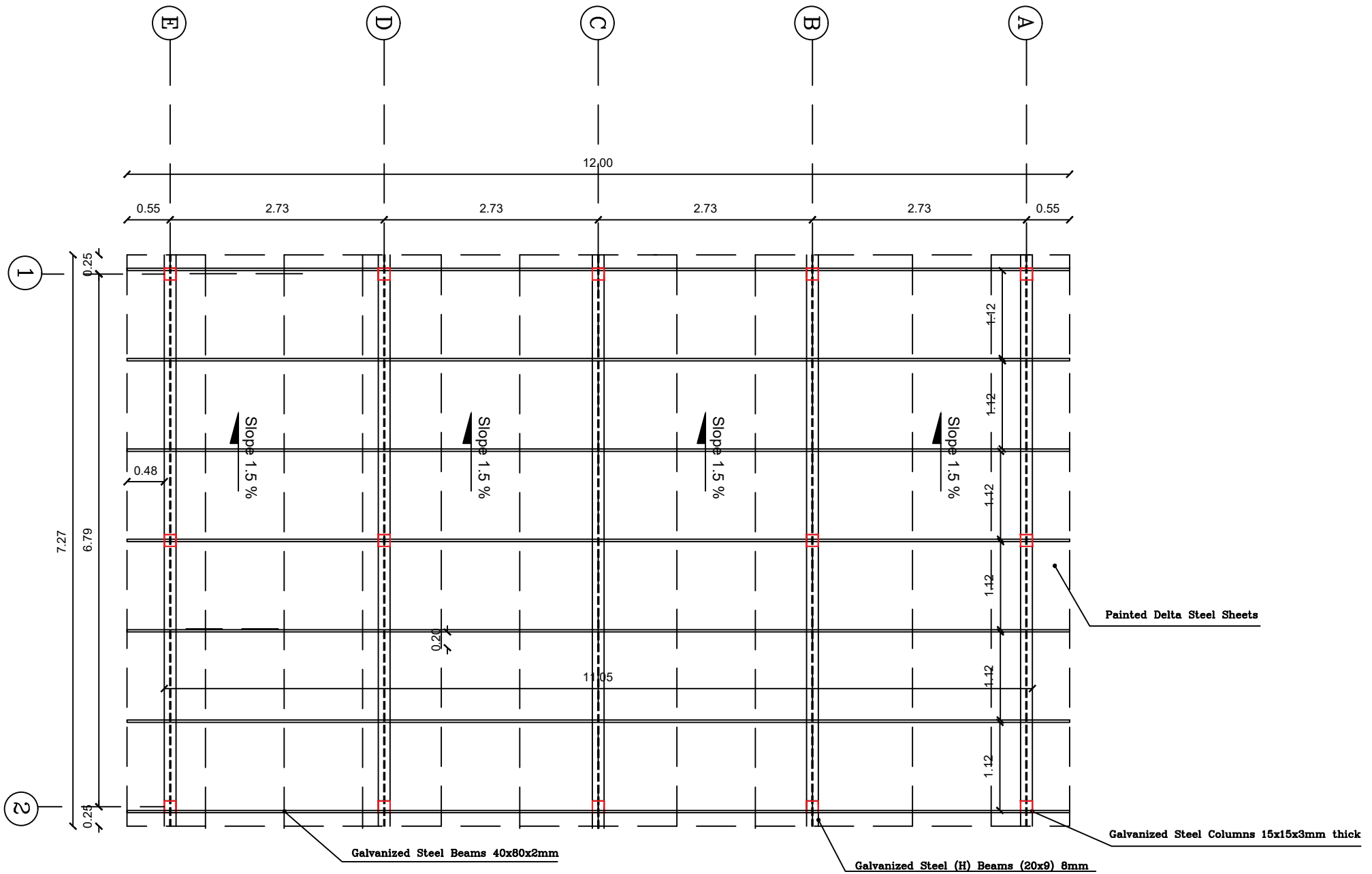
Agency : ACTED
 Program : Emergency Project
 Scale : 1:50
 Designer: ACTED Technical Team



Design Code :
 SS44

Plan Name :
 Storage Metal Shed 44 m²

Date :
 2021



Agency:

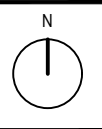


Funded by:

Humanitarian Aid and Civil Protection - ECHO



Agency : ACTED
 Program : Emergency Project
 Scale : NA
 Designer: ACTED Technical Team



Design Code :
 LSL88

Plan Name :
Livelihood Metal Shed - Large size 88 m2

Date :
 2021

