

Implemented by :



Drawing Title:  
Emergency Latrine  
View

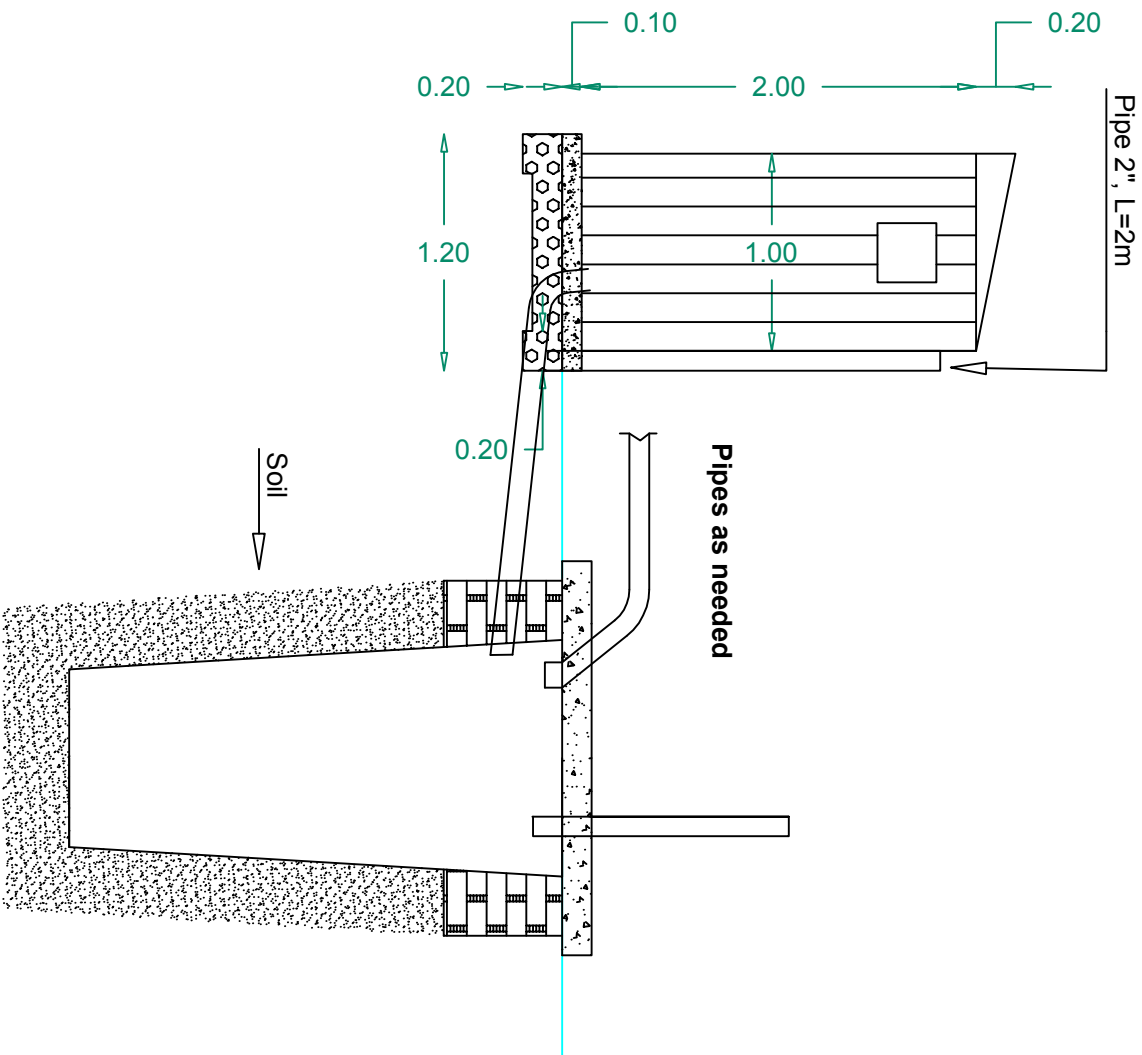
Units : Meters

Scale : N.T.S

Drawing by : A. Kebisi

Revised by : M. Gurbani

Approved by :  
O.HAMDOUNI



## Emergency Latrine View Option #1 zinc sheets metal

Implemented by :



Drawing Title:  
Emergency Latrine  
View

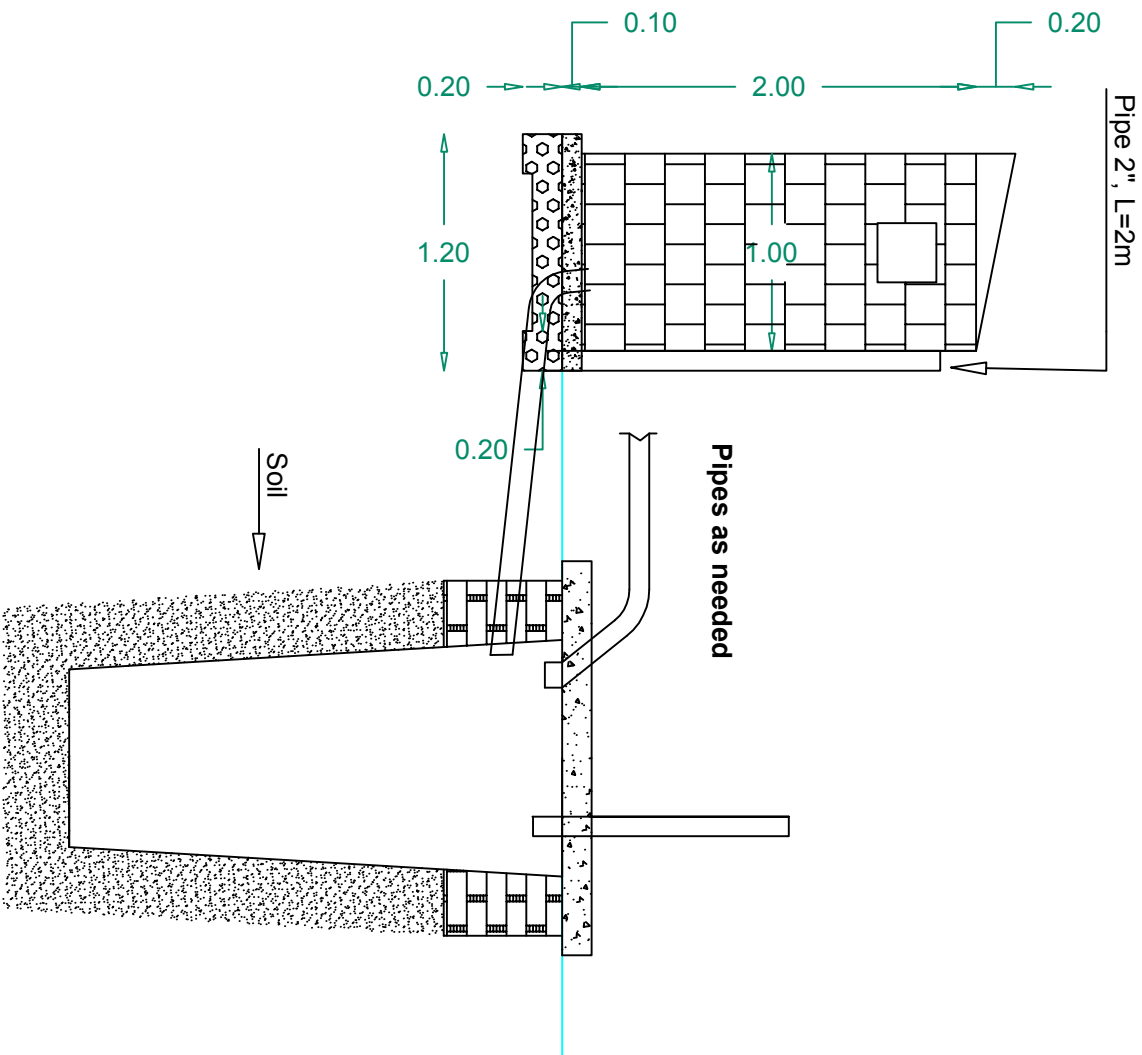
Units : Meters

Scale : N.T.S

Drawing by : A. Kebisi

Revised by : M. Gurbani

Approved by :  
O.HAMDOUNI



## Emergency Latrine View Option 2 #hollow concrete block wall (bricks)

Implemented by :



Drawing Title:

User Interface &  
Inside Latrine Details

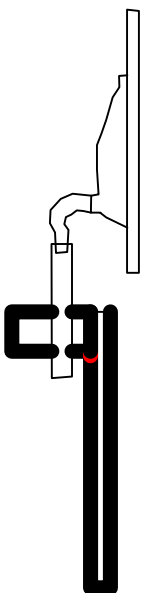
Units : Meters

Scale : N.T.S

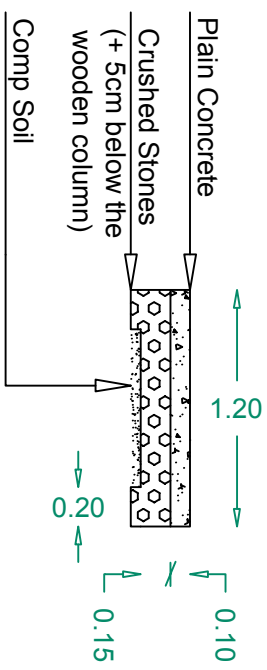
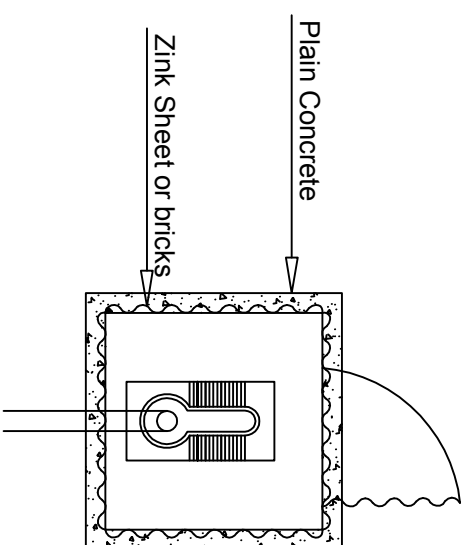
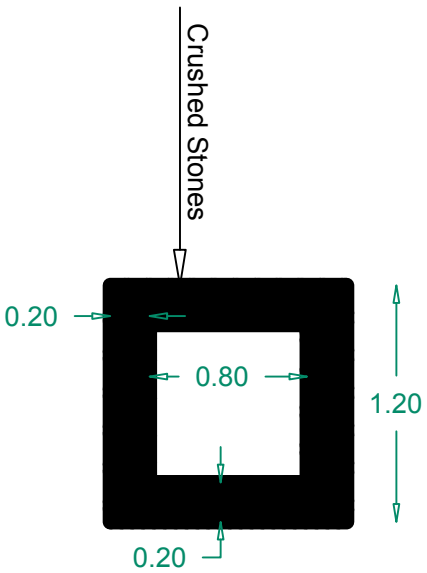
Drawing by : A. Kebisi

Revised by : M. Gurbani

Approved by :  
O.HAMDOUNI



User Interface



Detailed Section for the Foundation

## User Interface & Inside Latrine Details

Implemented by :



Drawing Title:

General Site & Plan

Units : Meters

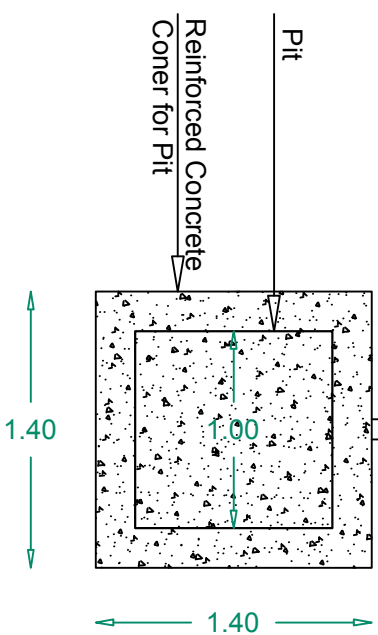
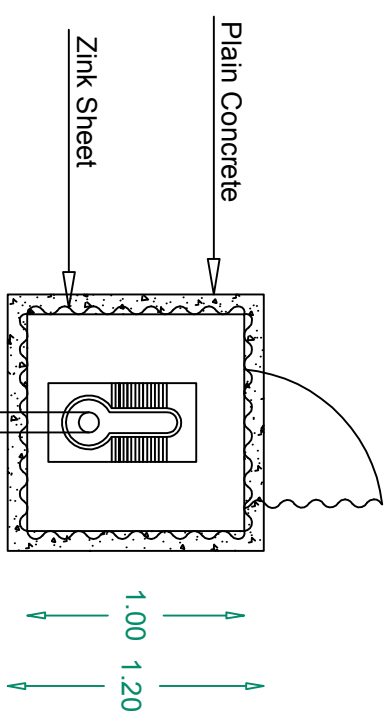
Scale : N.T.S

Drawing by : A. Kebisi

Revised by : M. Gurbani

Approved by :  
O.HAMDOUNI

# LATRINE



# SEPTIC PIT

## General Site & Plan

Implemented by :



Drawing Title:  
Latrine's Pit Details

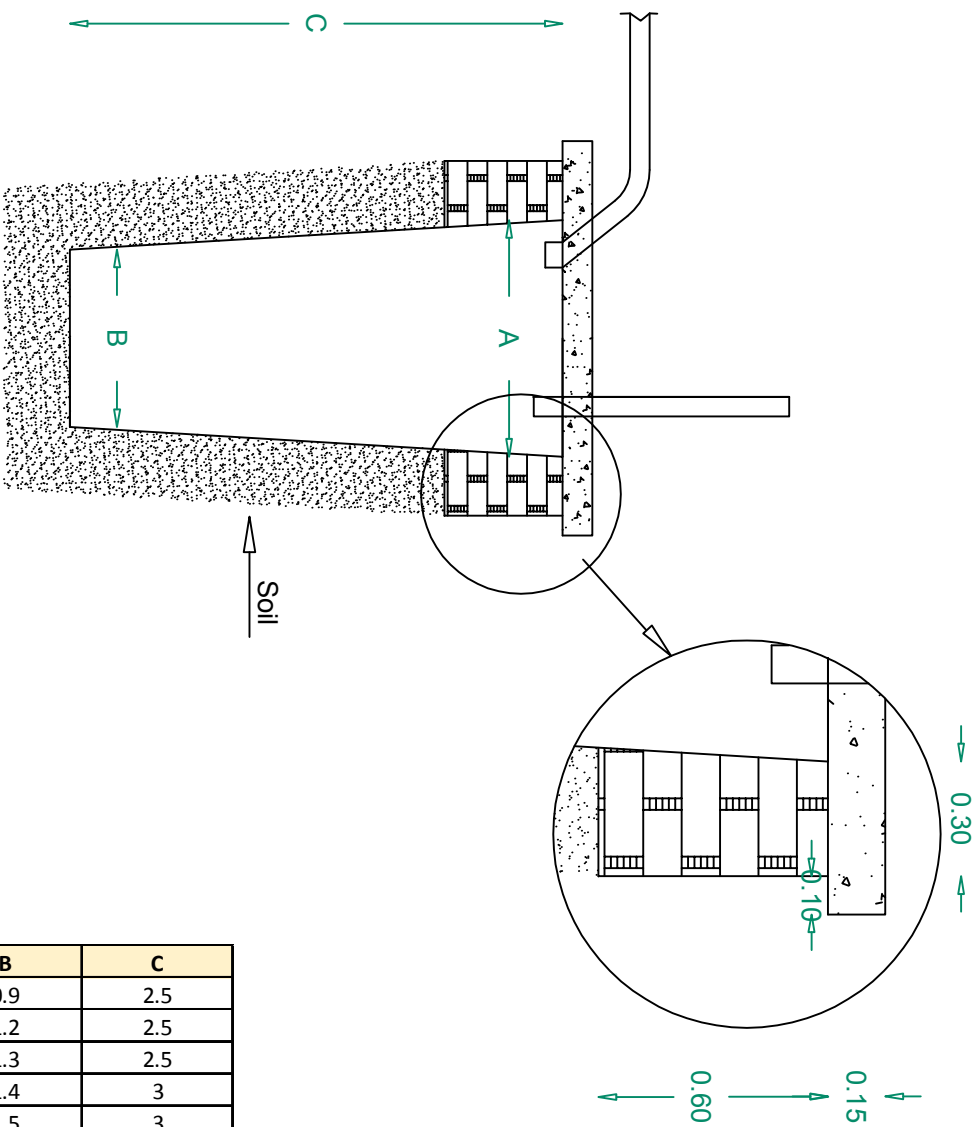
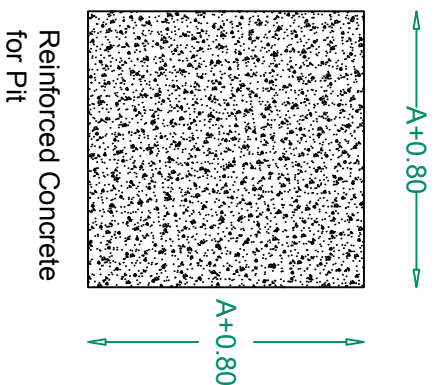
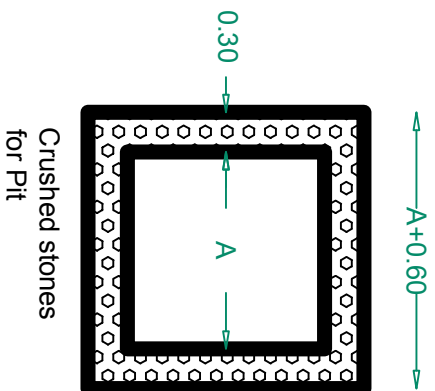
Units : Meters

Scale : N.T.S

Drawing by : A. Kebisi

Revised by : M. Gurbani

Approved by :  
O.HAMDOUNI



## Latrine Pit Details if soil fixed

Option	A	B	C
1	1.2	0.9	2.5
2	1.5	1.2	2.5
3	1.8	1.3	2.5
4	1.9	1.4	3
5	2.1	1.5	3
6	2.2	1.6	3

Implemented by :



Drawing Title:  
Latrine Pit Details

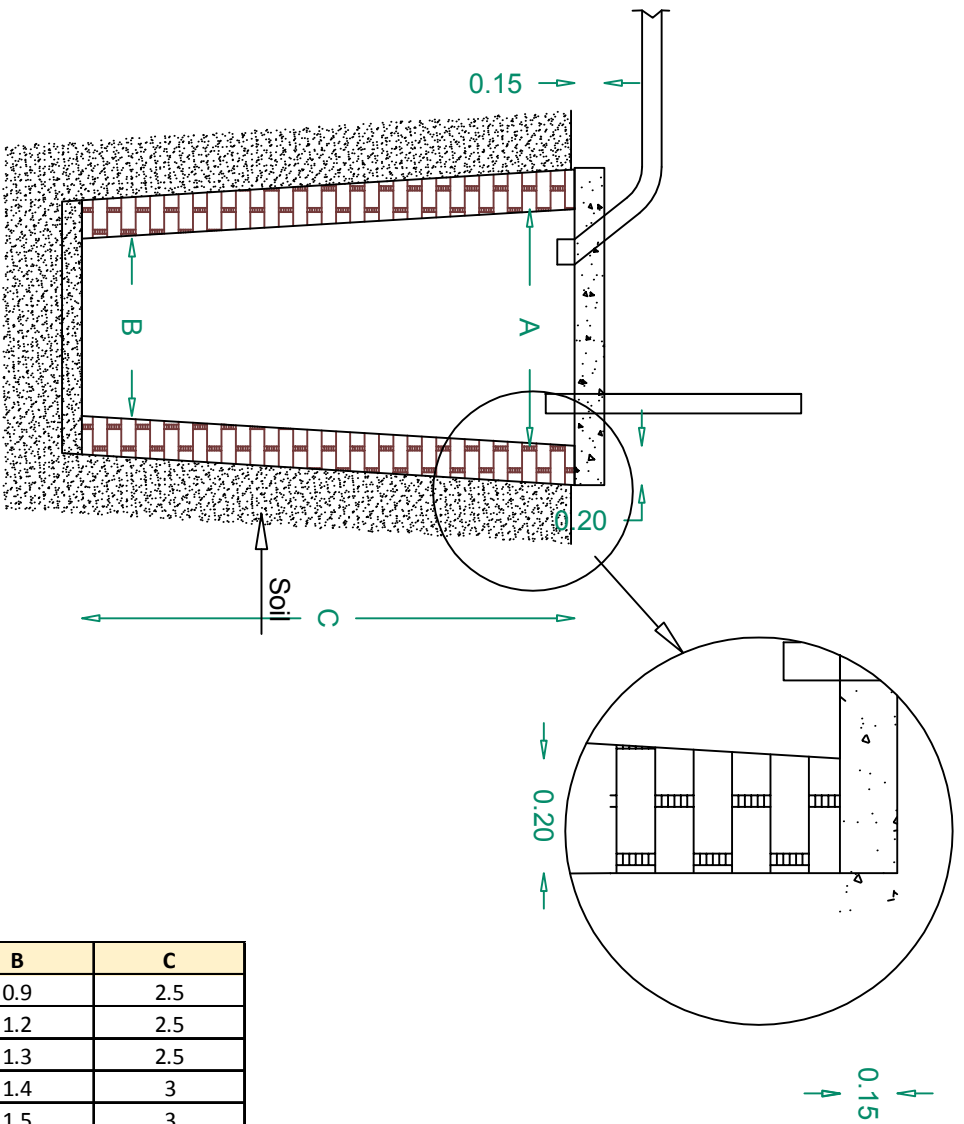
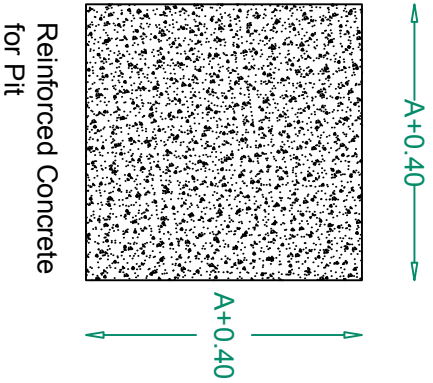
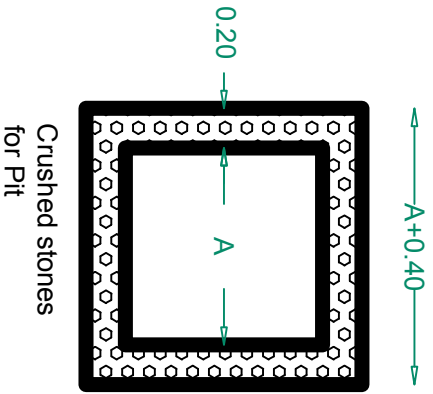
Units : Meters

Scale : N.T.S

Drawing by : A. Kebisi

Revised by : M. Gurbani

Approved by :  
O.HAMDOUNI



## Latrine Pit Details if soil collapsed

Option	A	B	C
1	1.2	0.9	2.5
2	1.5	1.2	2.5
3	1.8	1.3	2.5
4	1.9	1.4	3
5	2.1	1.5	3
6	2.2	1.6	3

Implemented by :



Drawing Title:  
**Woods Construction**

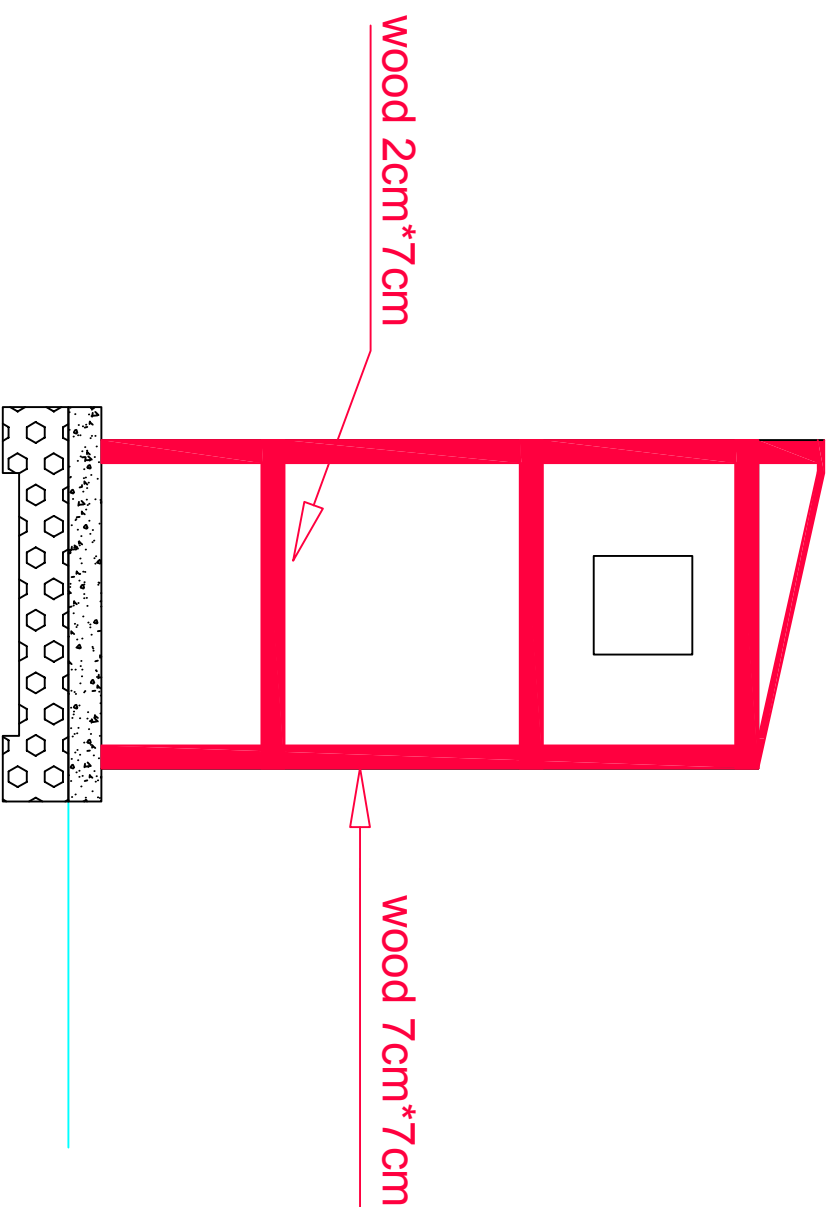
Units : Meters

Scale : N.T.S

Drawing by : A. Kebisi

Revised by : M. Gurbani

Approved by :  
O. HAMDOUNI



## Woods Construction