

Main Plan

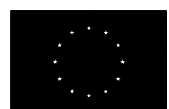
Side Elevation

Agency:



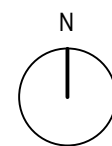
Funded by:

Humanitarian Aid  
and Civil Protection - ECHO



Humanitarian Aid  
and Civil Protection

Agency : ACTED  
Program : Emergency Project  
Scale : 1:50  
Designer: Muhammad Abu-Rajab



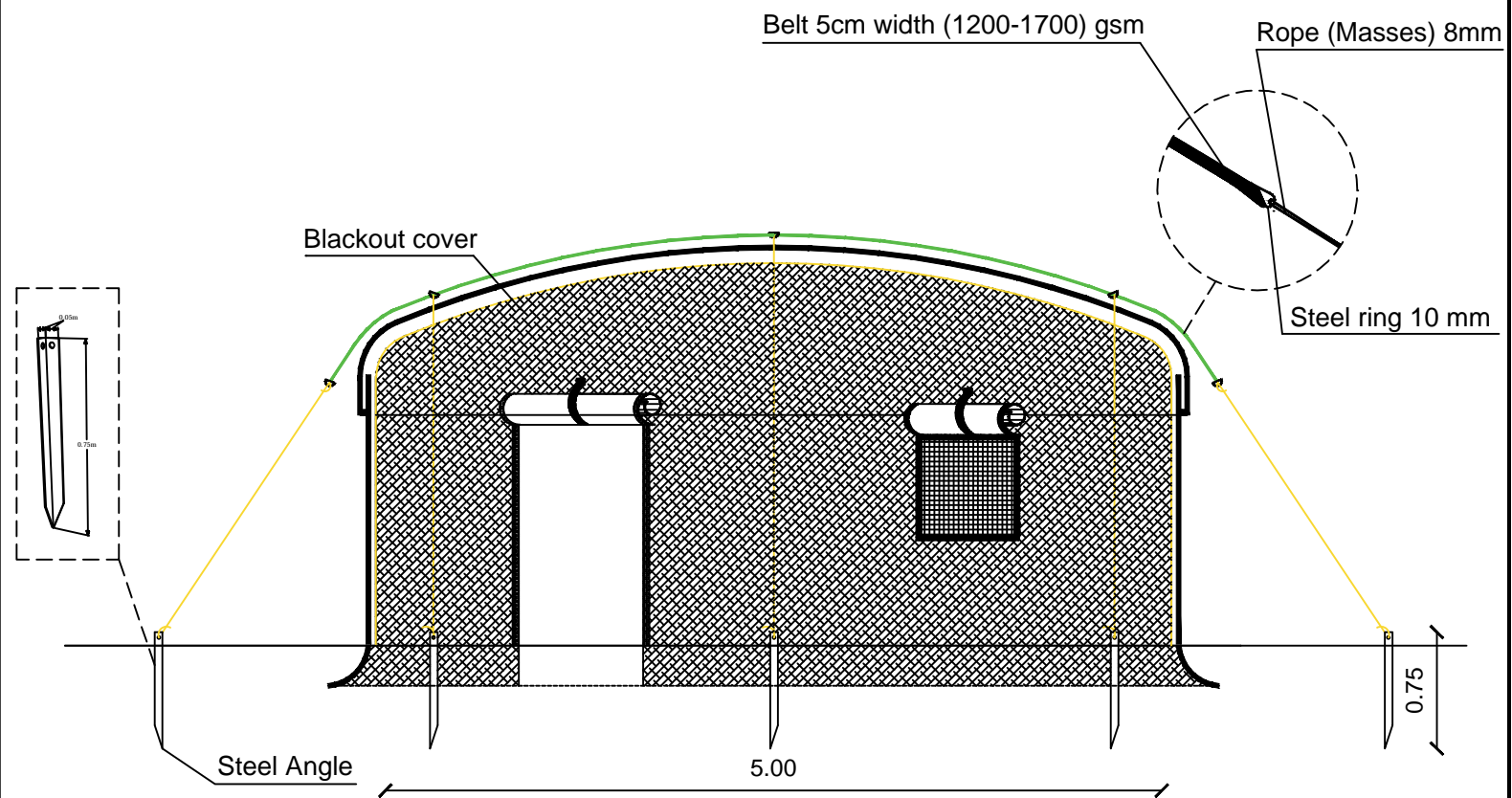
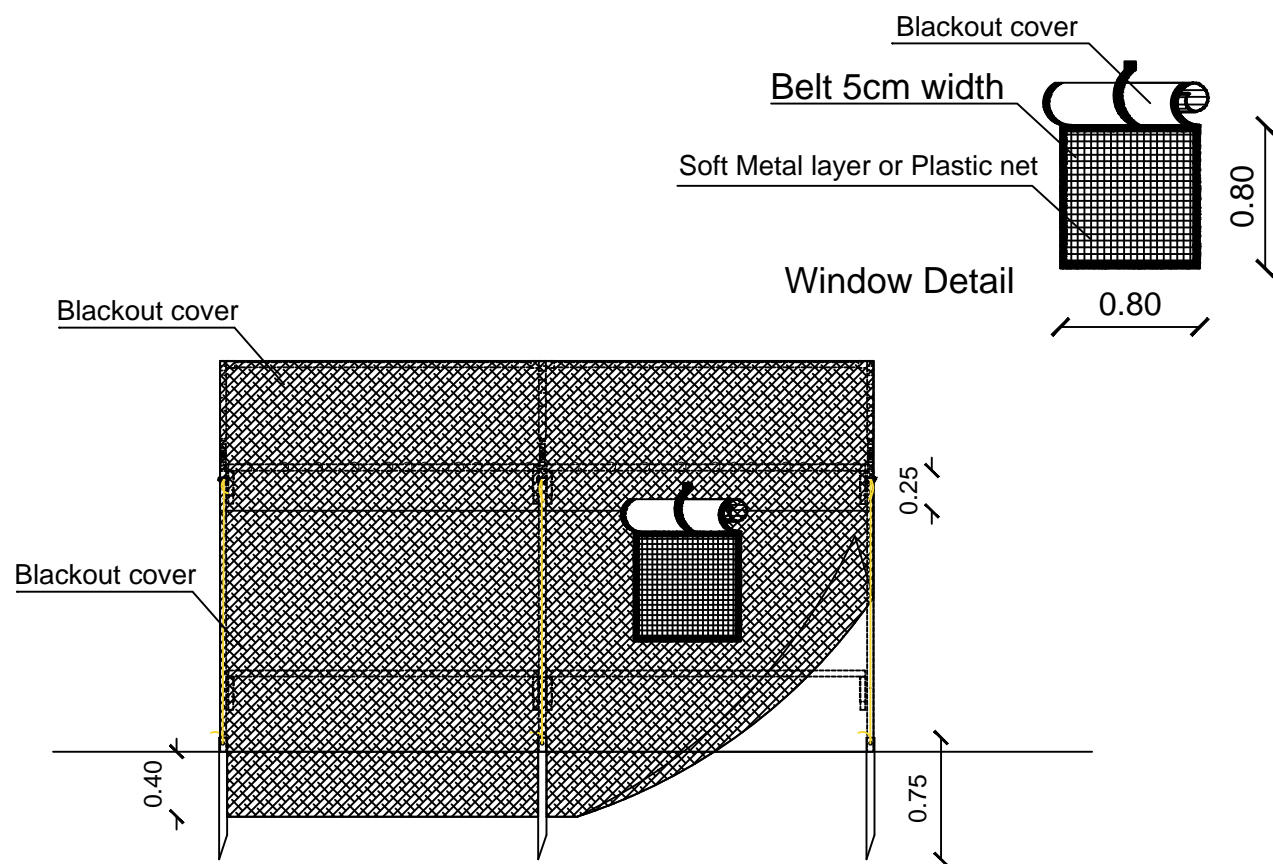
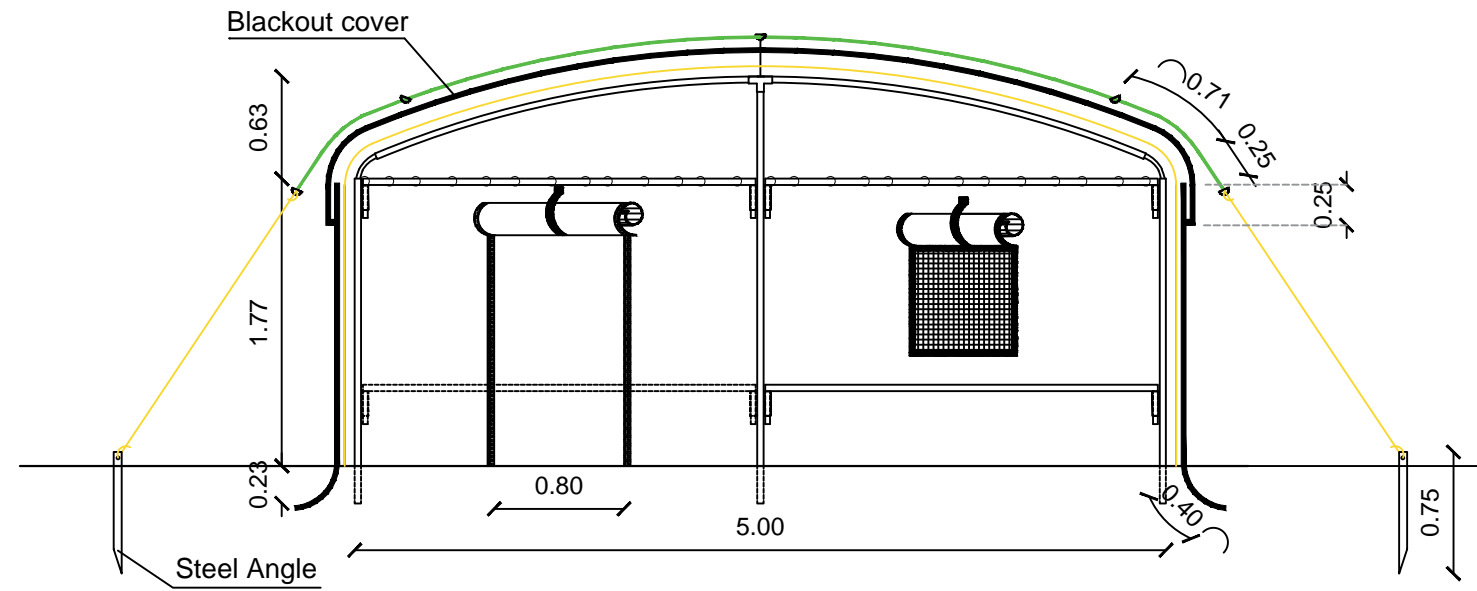
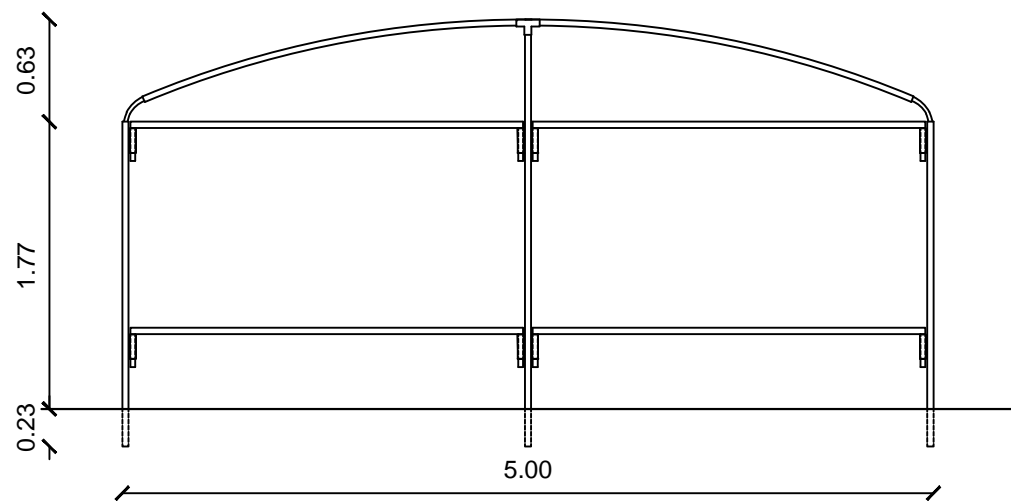
Design Code :  
KT20

Plan Name :

Kitchen Tent 20 m<sup>2</sup>

Date :

2018



Agency:

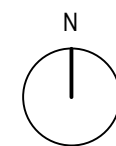


Funded by:

Humanitarian Aid  
and Civil Protection - ECHO



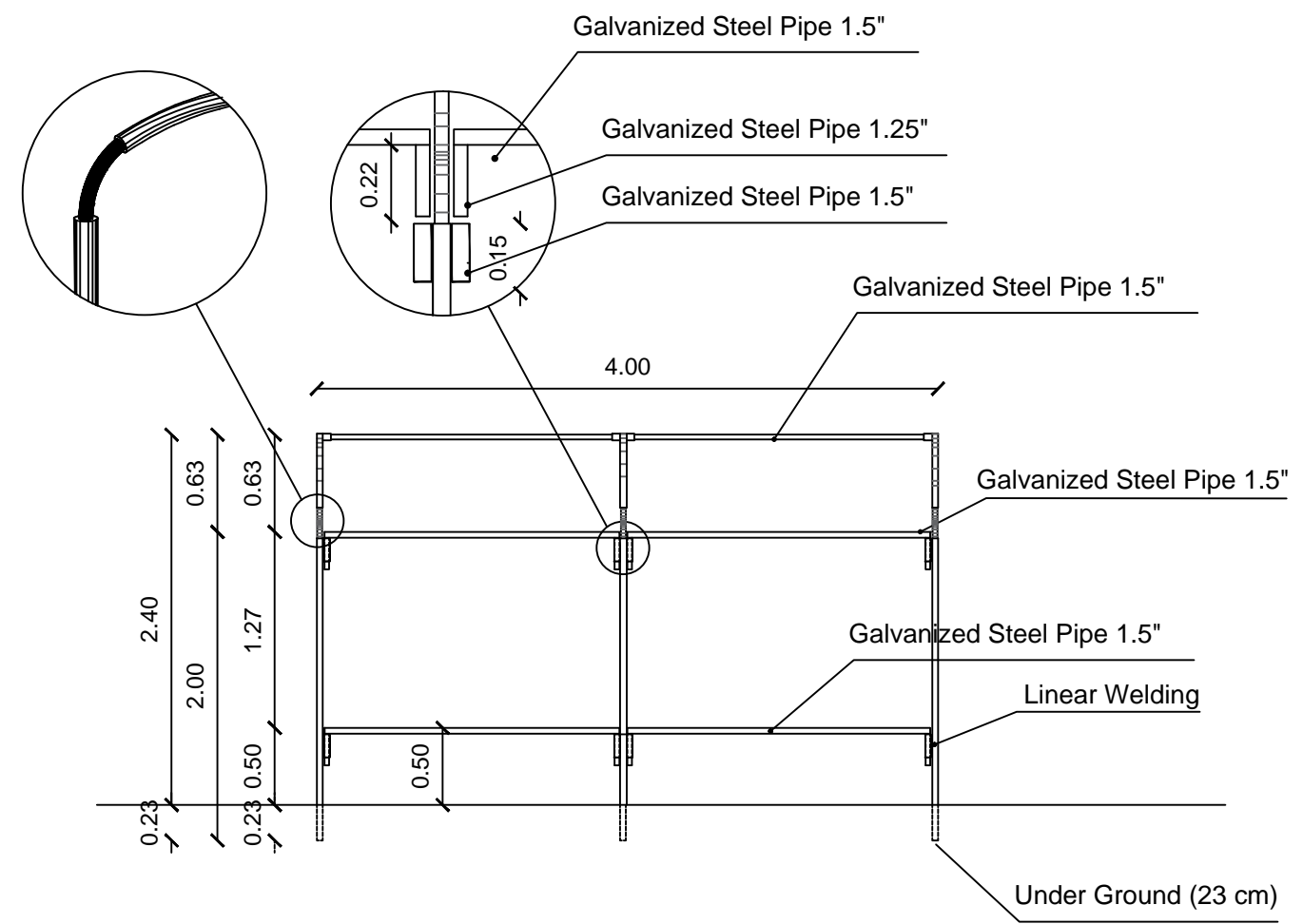
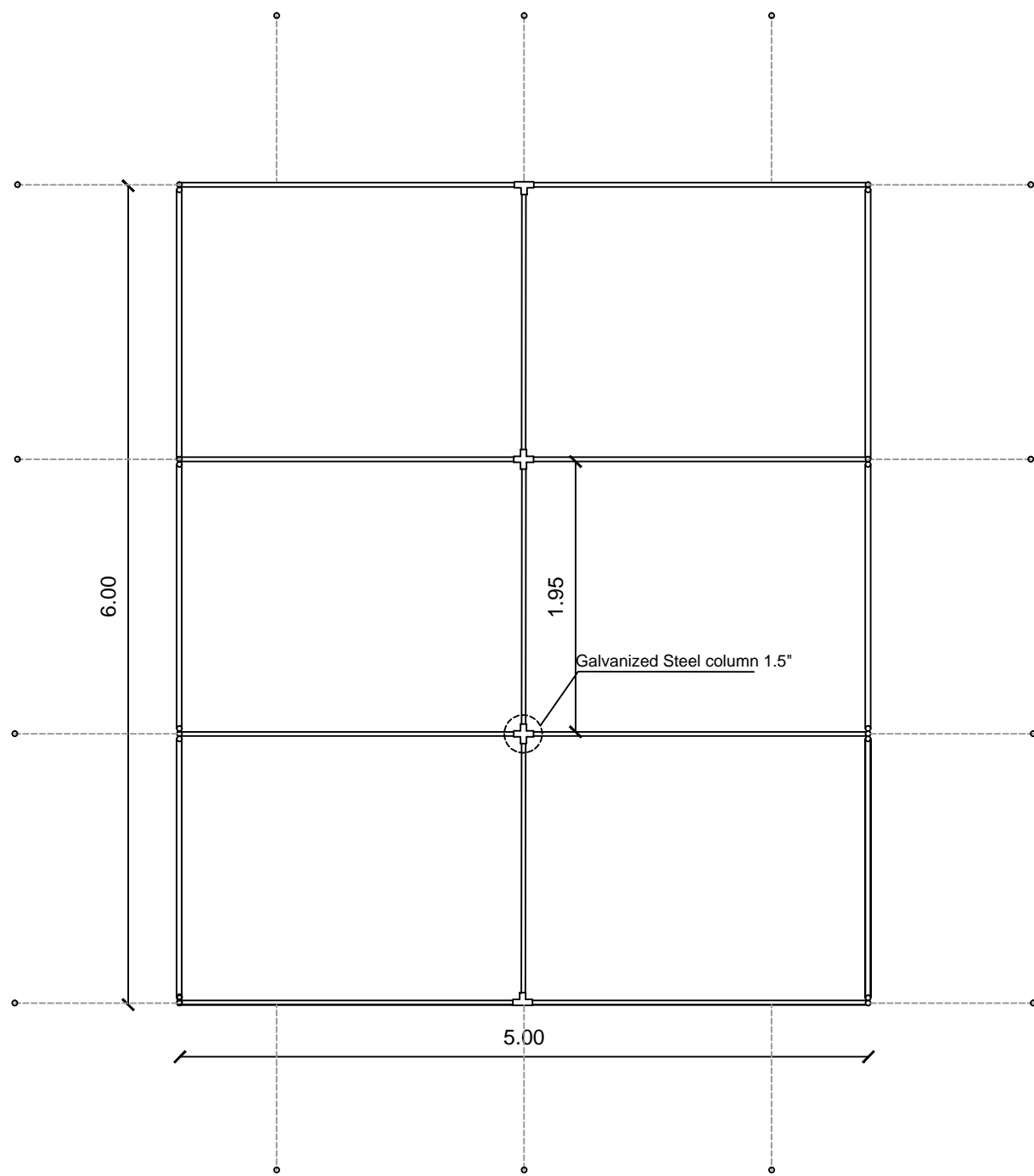
Agency : ACTED  
Program : Emergency Project  
Scale : 1:50  
Designer: Muhammad Abu-Rajab



Design Code :  
KT20

Plan Name :  
Kitchen Tent 20 m<sup>2</sup>

Date :  
2018



Main Plan

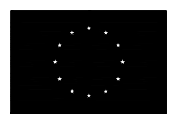
Side Elevation

Agency:



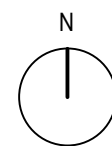
Funded by:

Humanitarian Aid  
and Civil Protection - ECHO



Humanitarian Aid  
and Civil Protection

Agency : ACTED  
Program : Emergency Project  
Scale : 1:50  
Designer: Muhammad Abu-Rajab



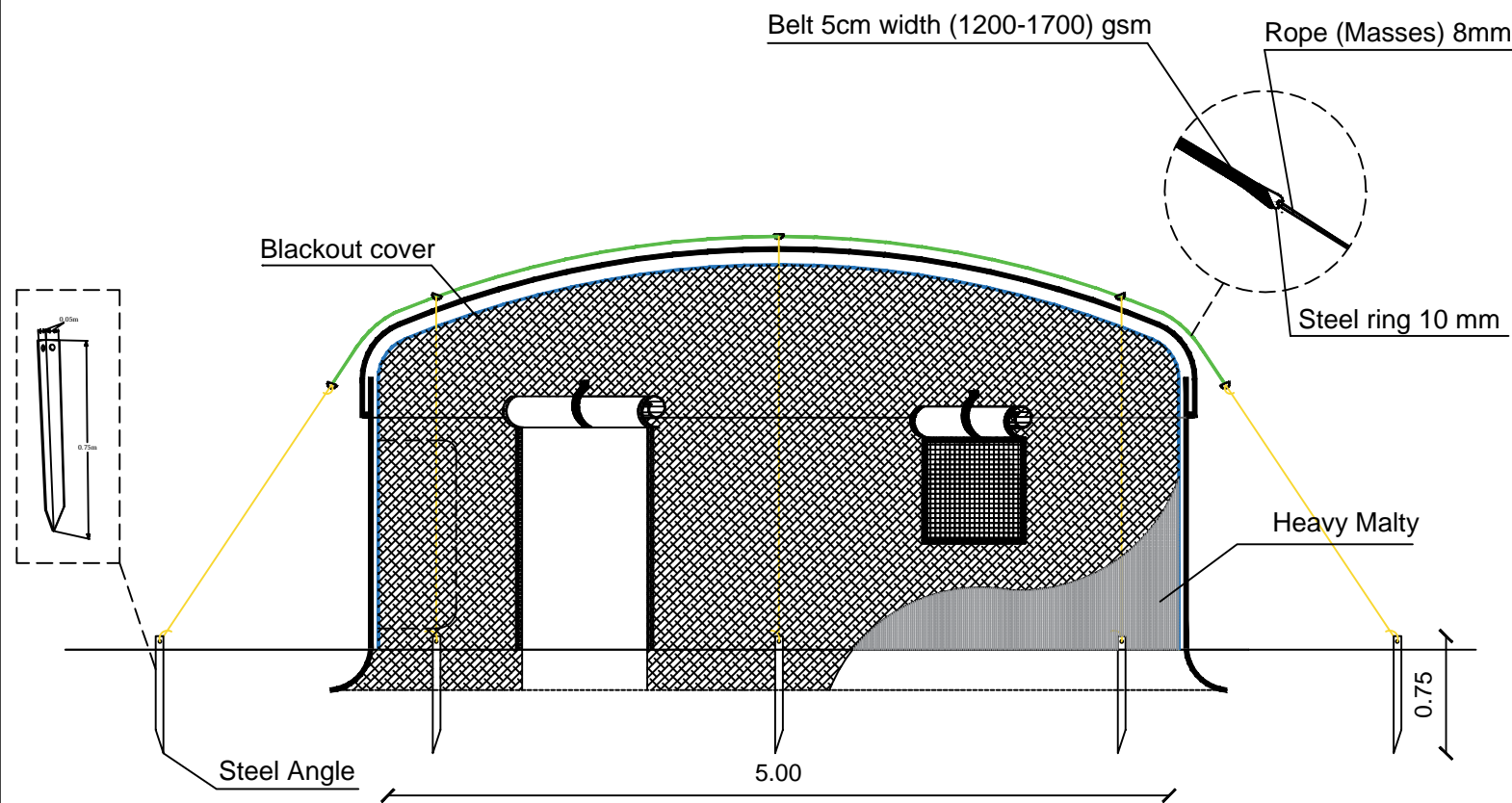
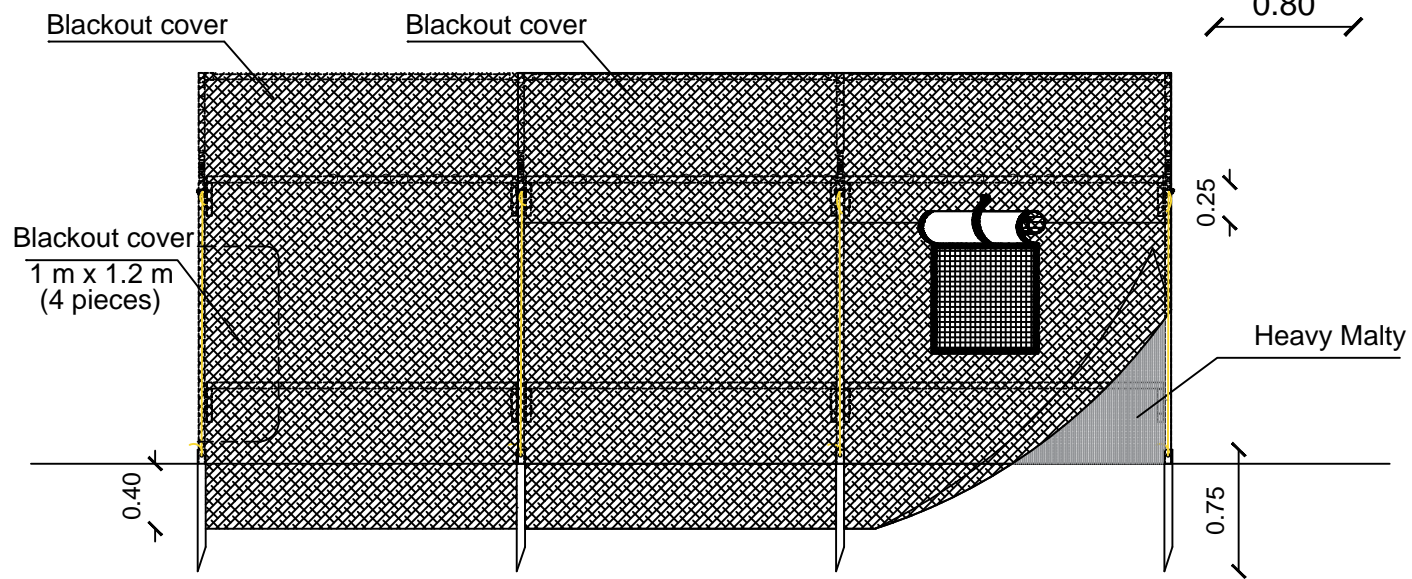
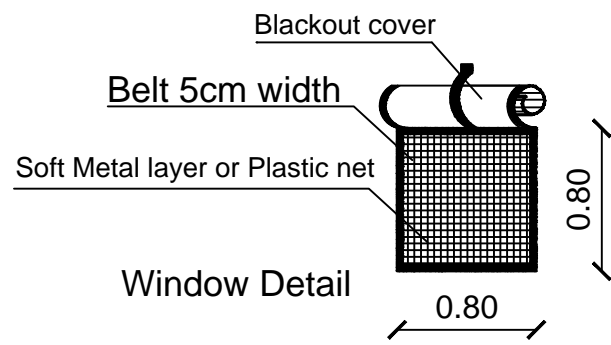
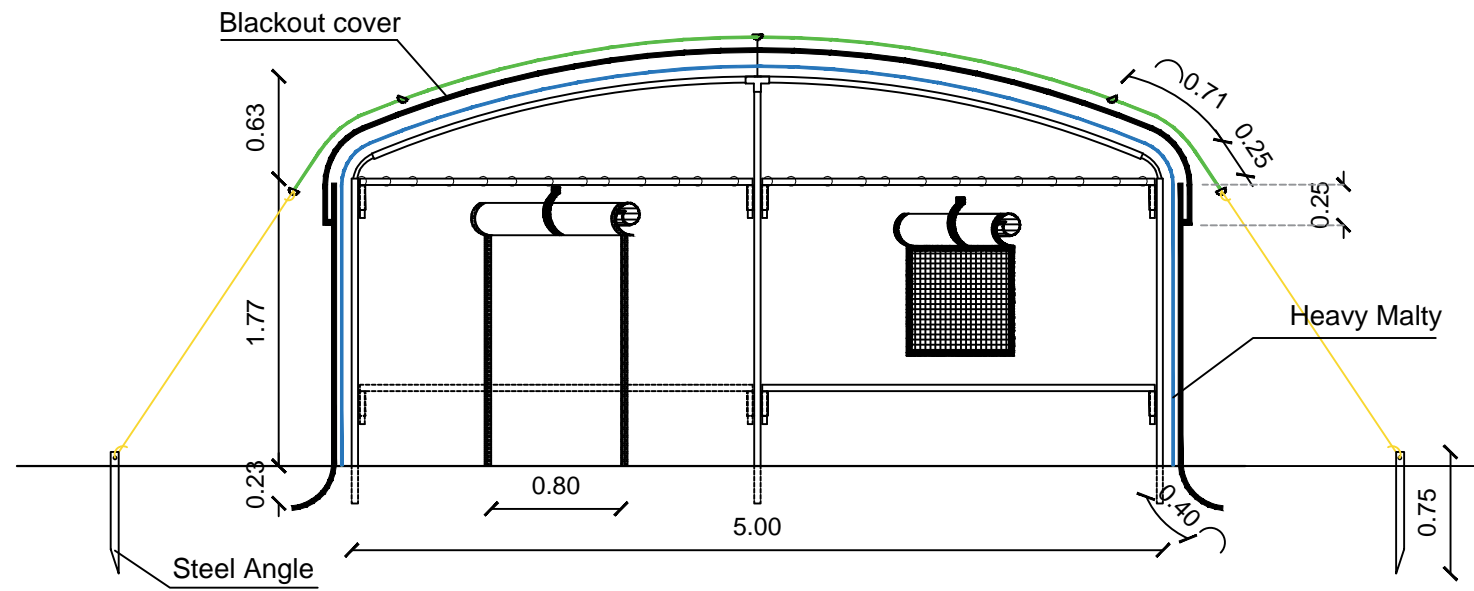
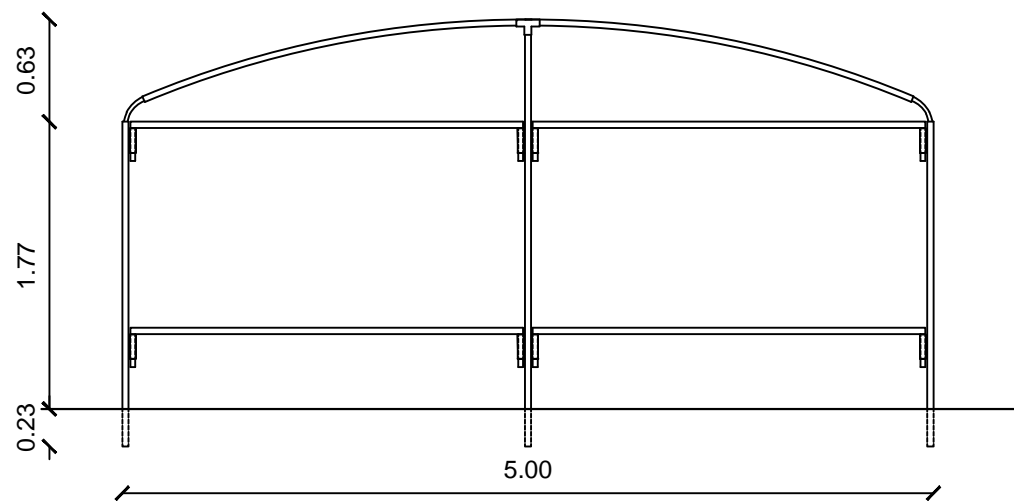
Design Code :  
RT30

Plan Name :

Residential Tent 30 m<sup>2</sup>

Date :

2018



Agency:

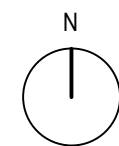


Funded by:

Humanitarian Aid and Civil Protection - ECHO



Agency : ACTED  
 Program : Emergency Project  
 Scale : 1:50  
 Designer: Muhammad Abu-Rajab



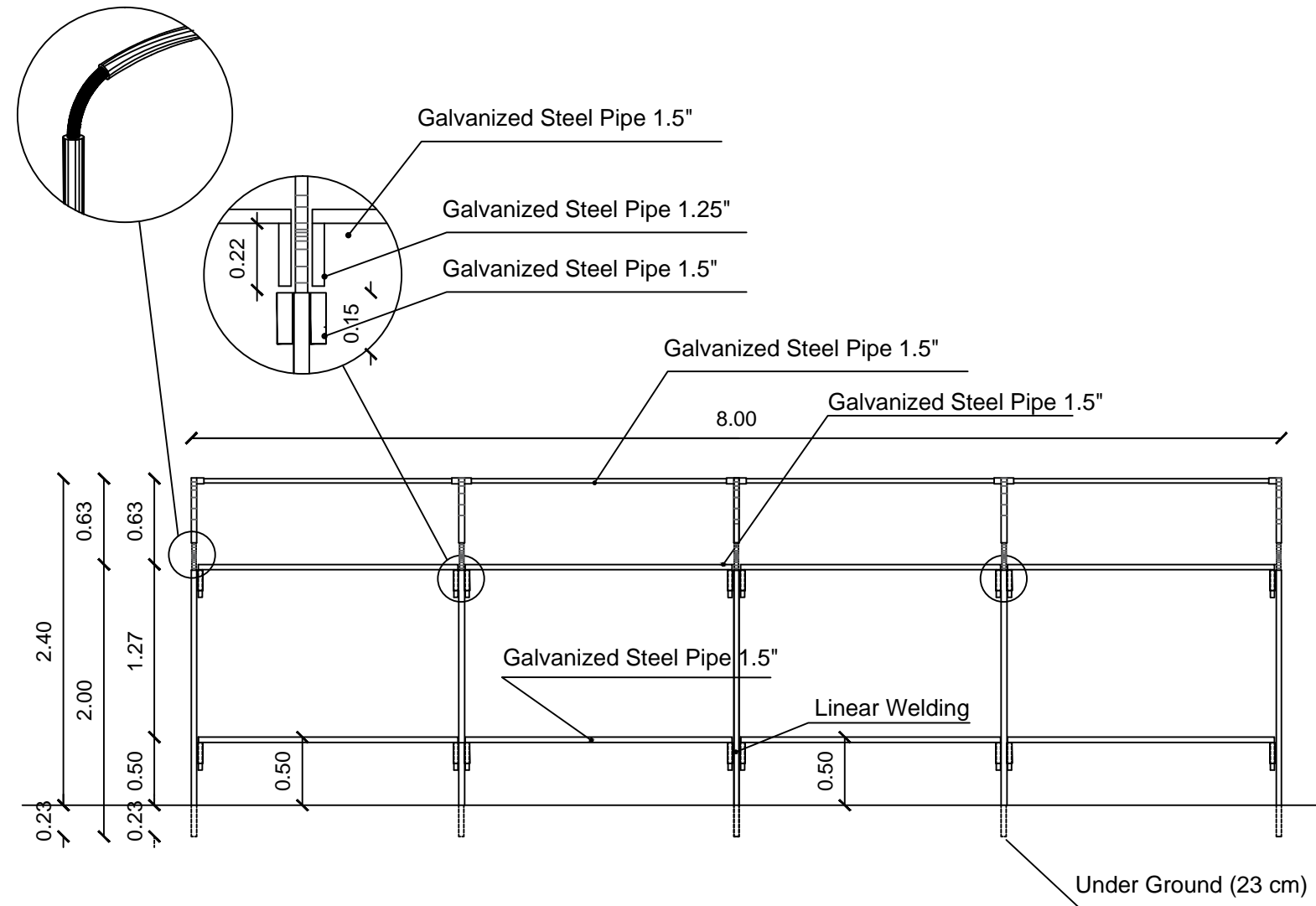
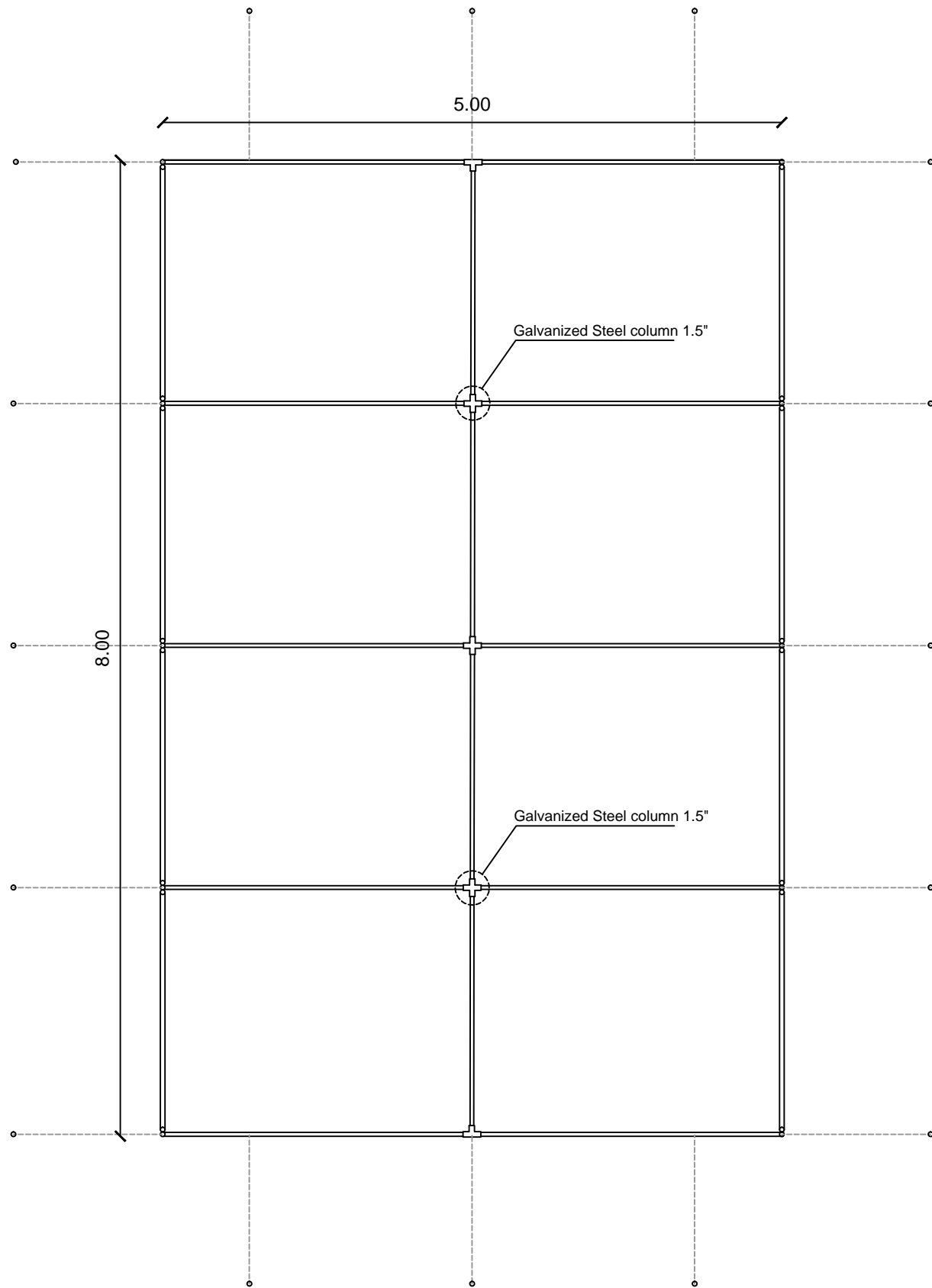
Design Code :  
 RT30

Plan Name :

Residential Tent 30 m<sup>2</sup>

Date :

2018



Main Plan

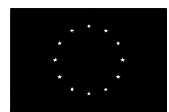
Side Elevation

Agency:



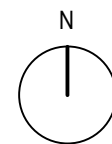
Funded by:

Humanitarian Aid  
and Civil Protection - ECHO



Humanitarian Aid  
and Civil Protection

Agency : ACTED  
Program : Emergency Project  
Scale : 1:50  
Designer: Muhammad Abu-Rajab



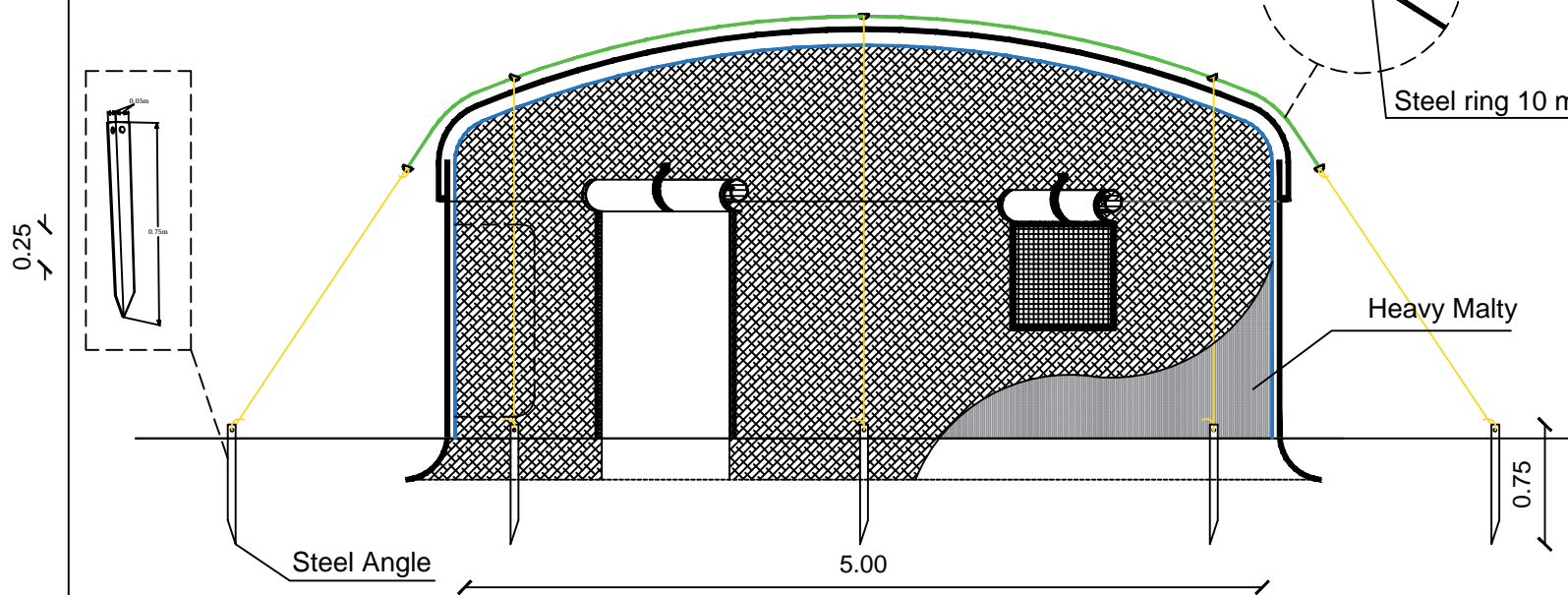
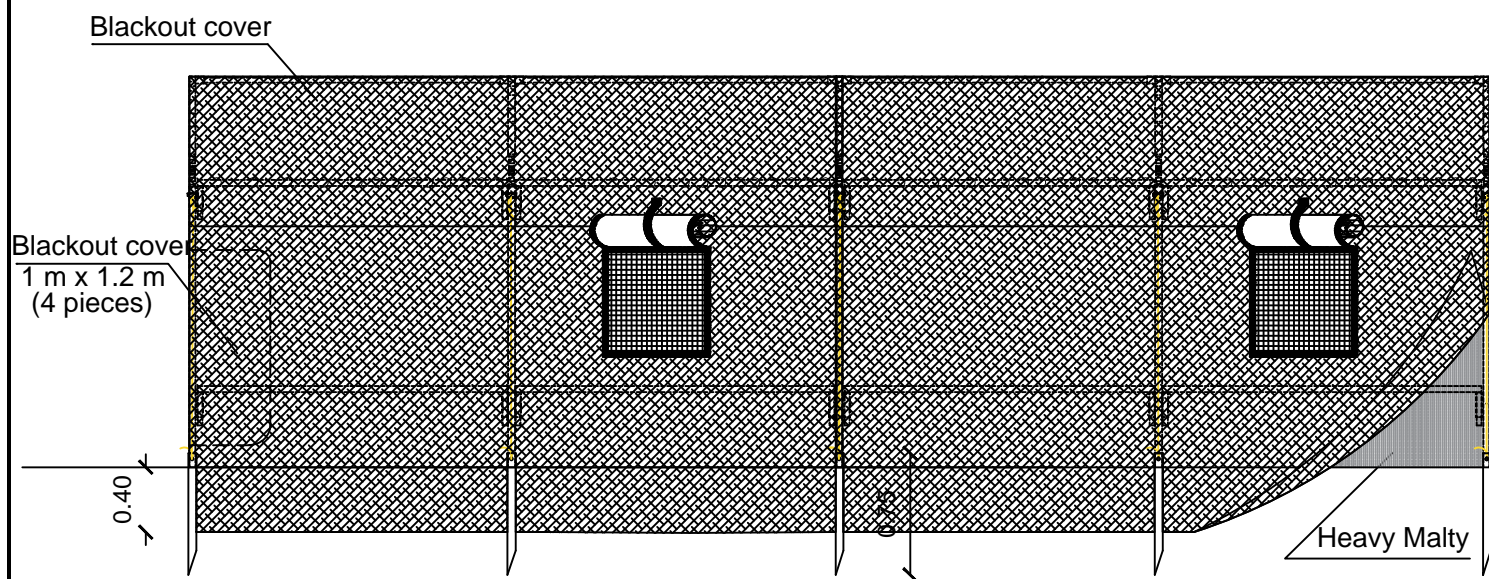
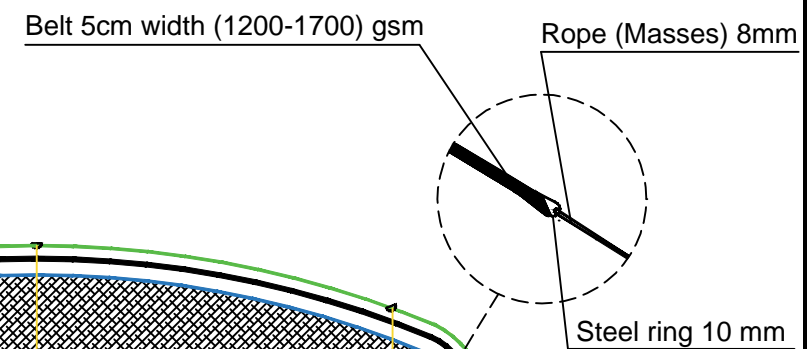
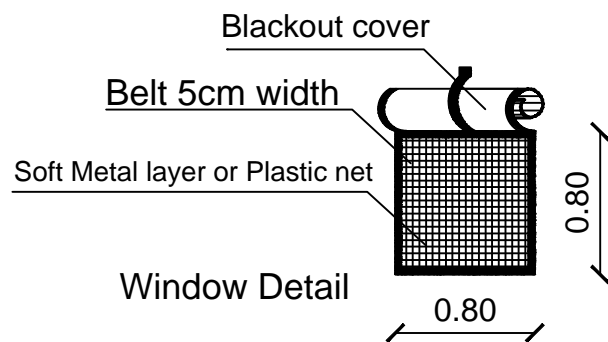
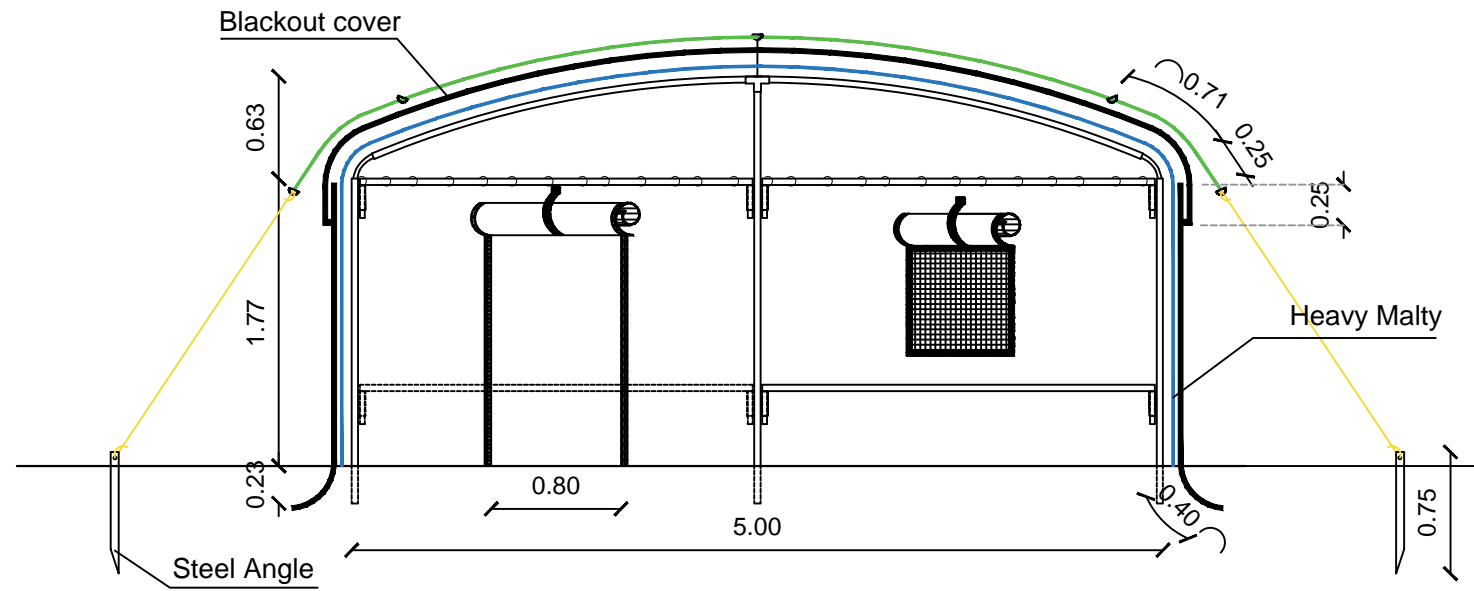
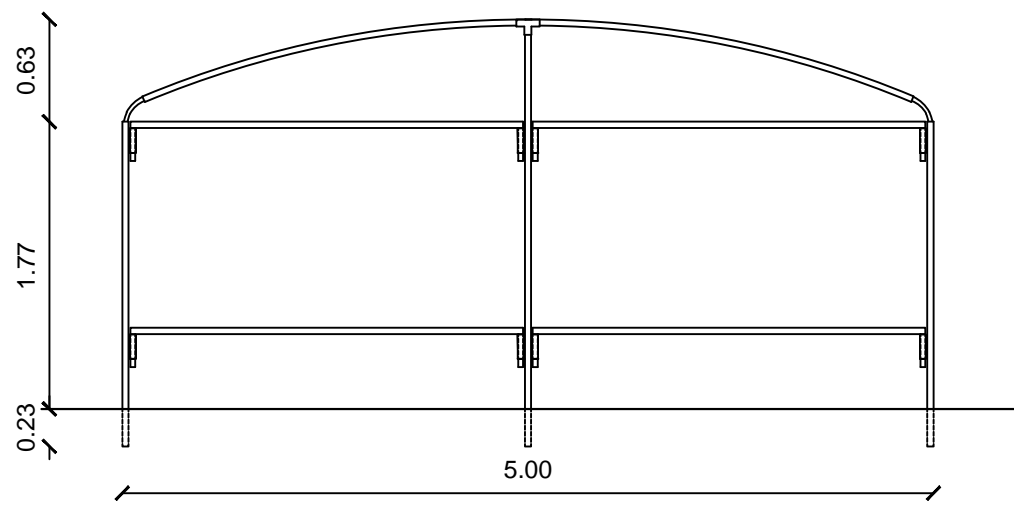
Design Code :  
RT40

Plan Name :

Residential Tent 40 m<sup>2</sup>

Date :

2018



Agency:



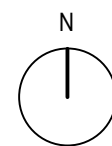
Funded by:

Humanitarian Aid  
and Civil Protection - ECHO



Humanitarian Aid  
and Civil Protection

Agency : ACTED  
Program : Emergency Project  
Scale : 1:50  
Designer: Muhammad Abu-Rajab



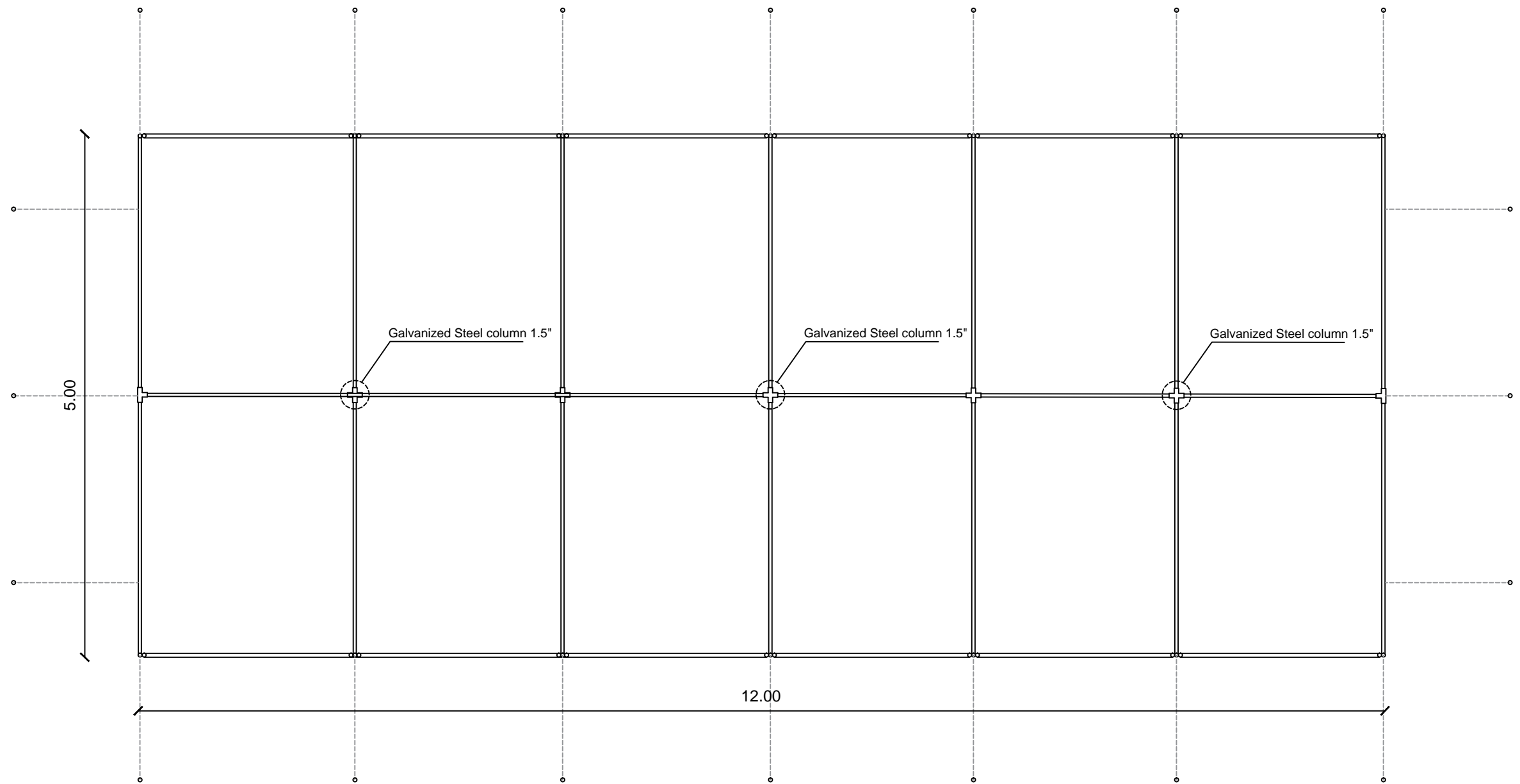
Design Code :  
RT40

Plan Name :

Residential Tent 40 m<sup>2</sup>

Date :

2018



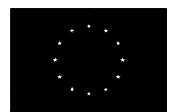
Main Plan

Agency:



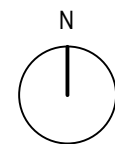
Funded by:

Humanitarian Aid  
and Civil Protection - ECHO



Humanitarian Aid  
and Civil Protection

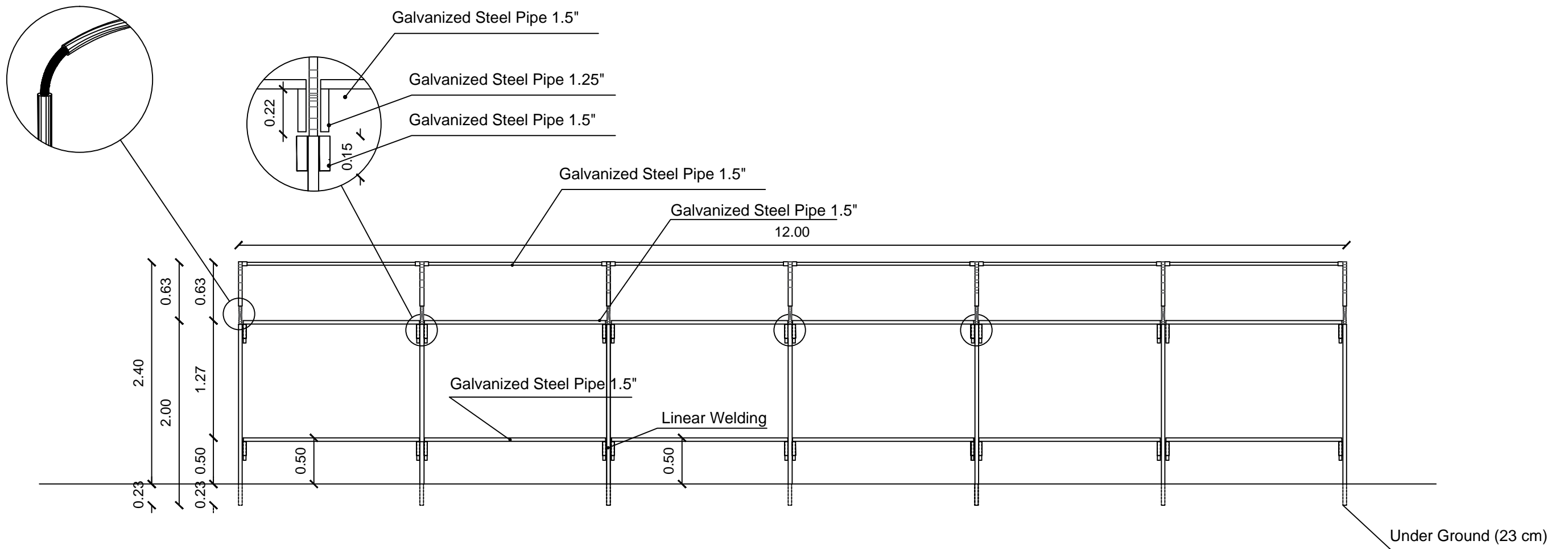
Agency : ACTED  
Program : Emergency Project  
Scale : 1:50  
Designer: Muhammad Abu-Rajab



Design Code :  
RT60

Plan Name :  
Residential Tent 60 m<sup>2</sup>

Date :  
2018



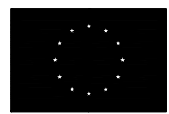
Side Elevation

Agency:



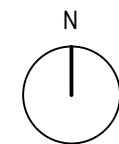
Funded by:

Humanitarian Aid  
and Civil Protection - ECHO



Humanitarian Aid  
and Civil Protection

Agency : ACTED  
Program : Emergency Project  
Scale : 1:50  
Designer: Muhammad Abu-Rajab

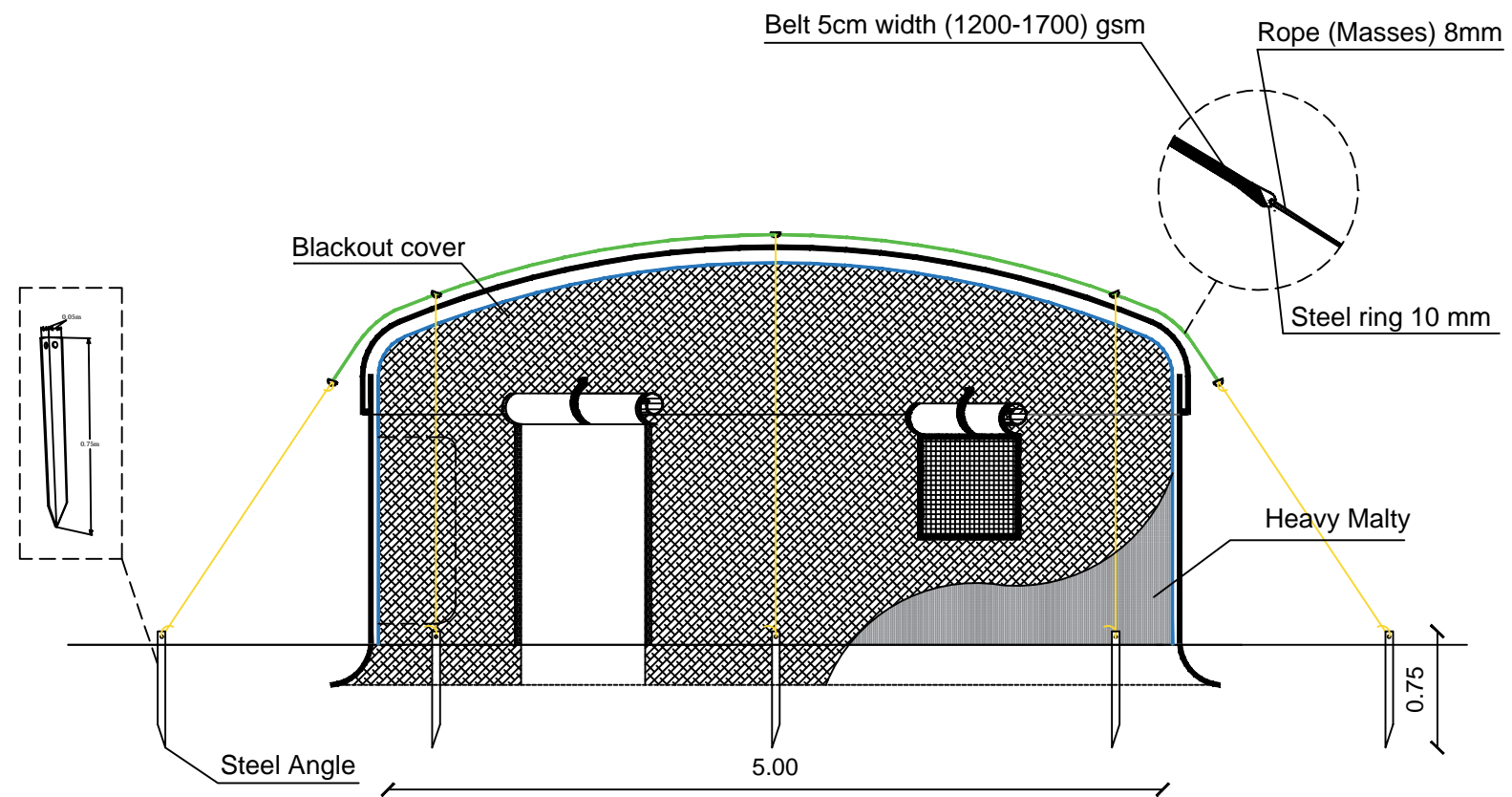
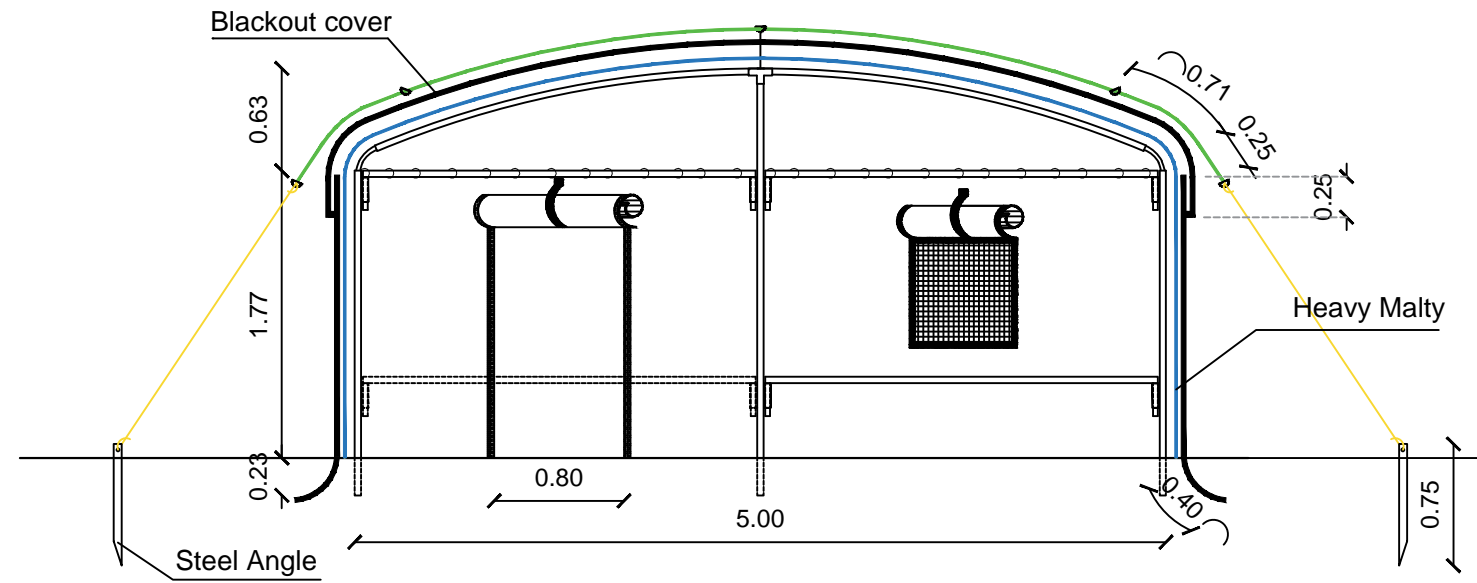
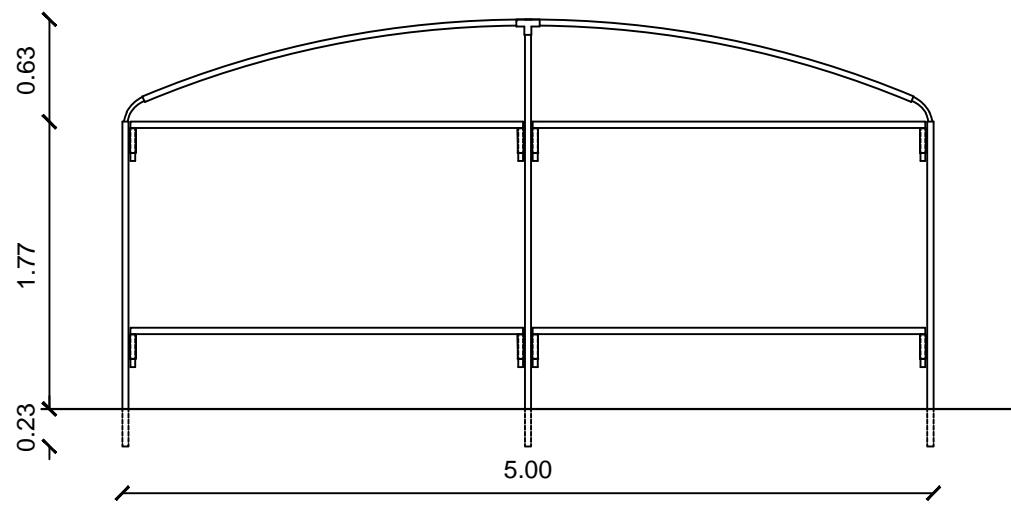


Design Code :  
RT60

Plan Name :  
Residential Tent 60 m<sup>2</sup>

Date :  
2018





Side Elevation

Agency:

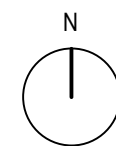


Funded by:

Humanitarian Aid  
and Civil Protection - ECHO



Agency : ACTED  
Program : Emergency Project  
Scale : 1:50  
Designer: Muhammad Abu-Rajab



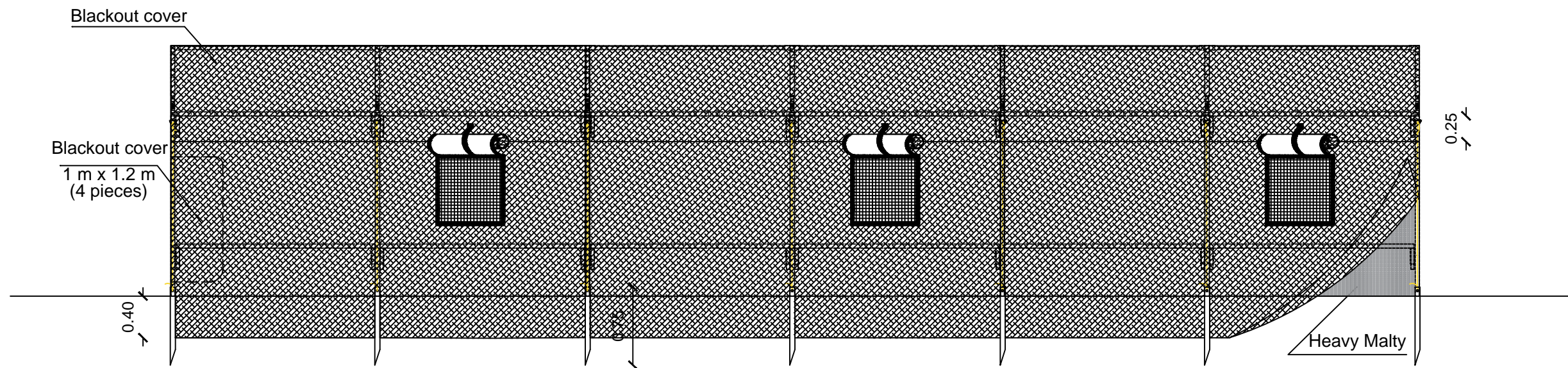
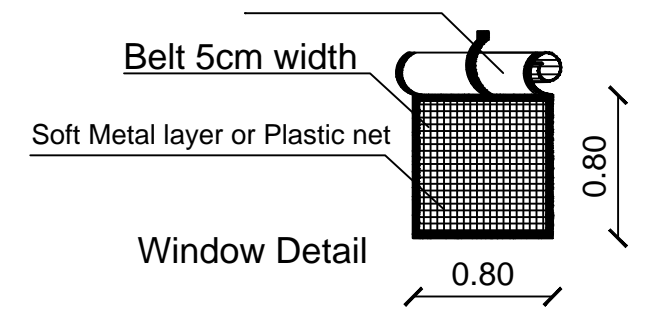
Design Code :  
RT60

Plan Name :

Residential Tent 60 m<sup>2</sup>

Date :

2018



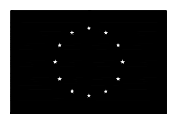
Side Elevation

Agency:



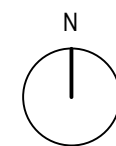
Funded by:

Humanitarian Aid  
and Civil Protection - ECHO



Humanitarian Aid  
and Civil Protection

Agency : ACTED  
Program : Emergency Project  
Scale : 1:50  
Designer: Muhammad Abu-Rajab



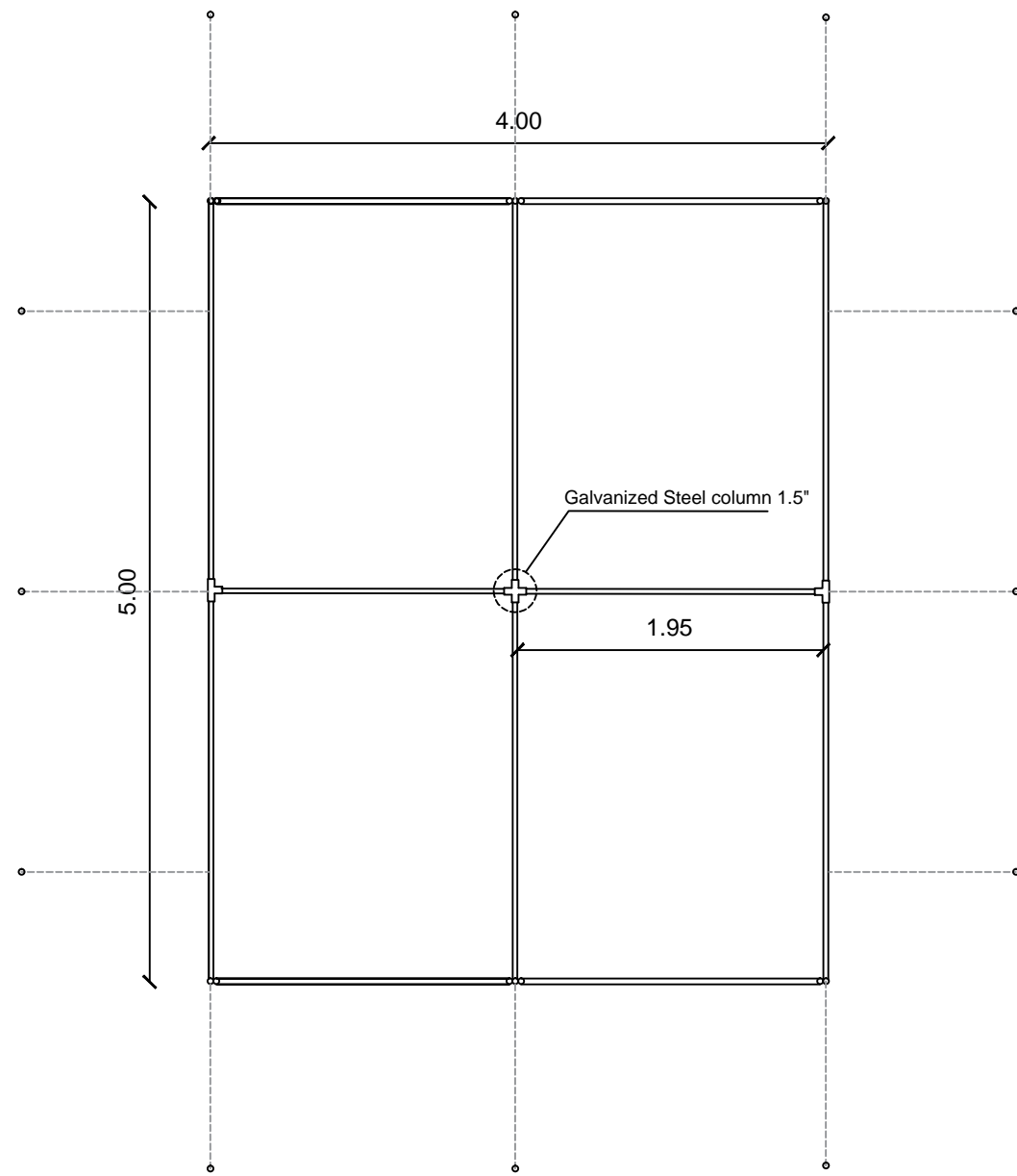
Design Code :  
RT60

Plan Name :

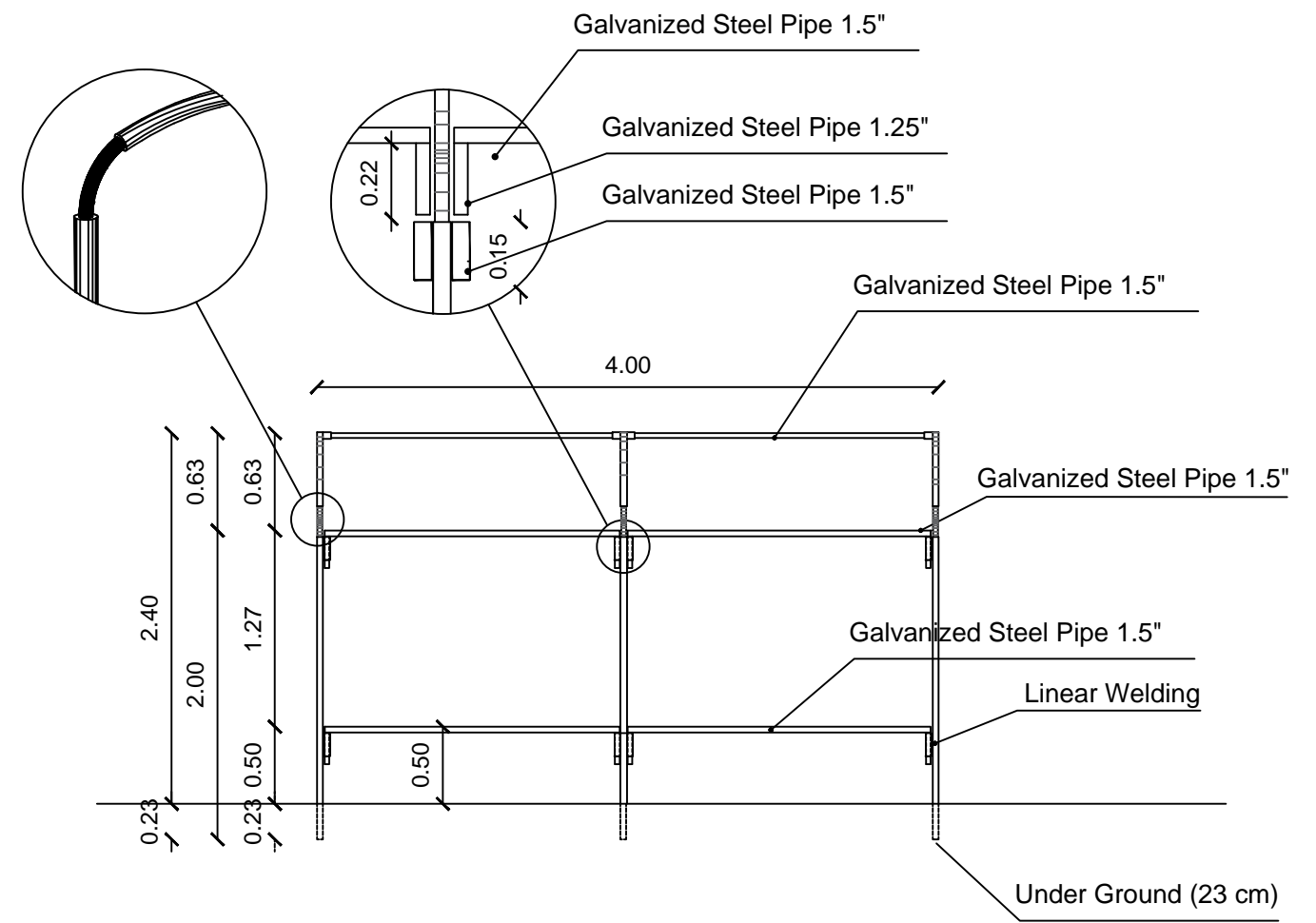
Residential Tent 60 m<sup>2</sup>

Date :


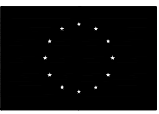

2018

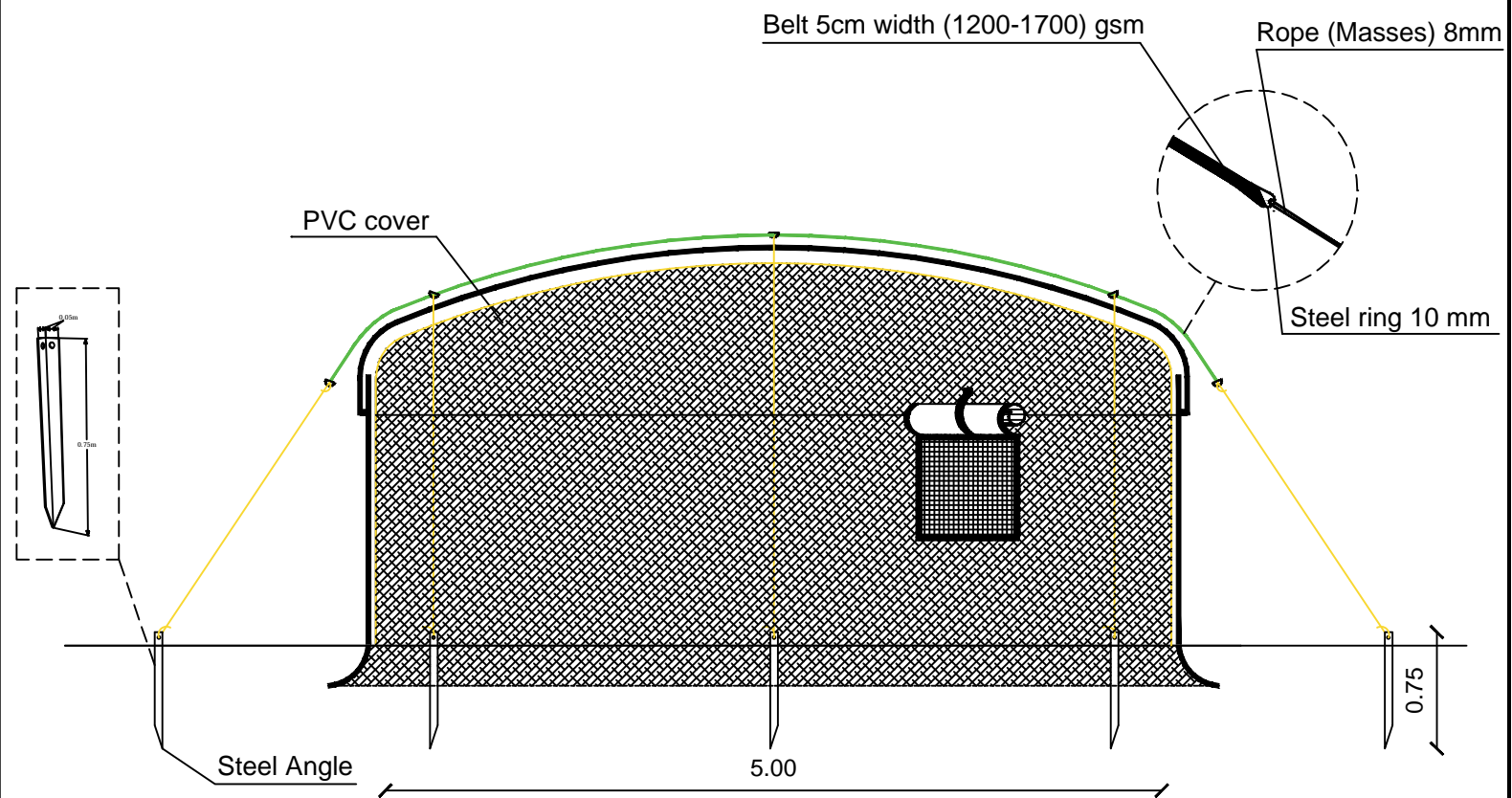
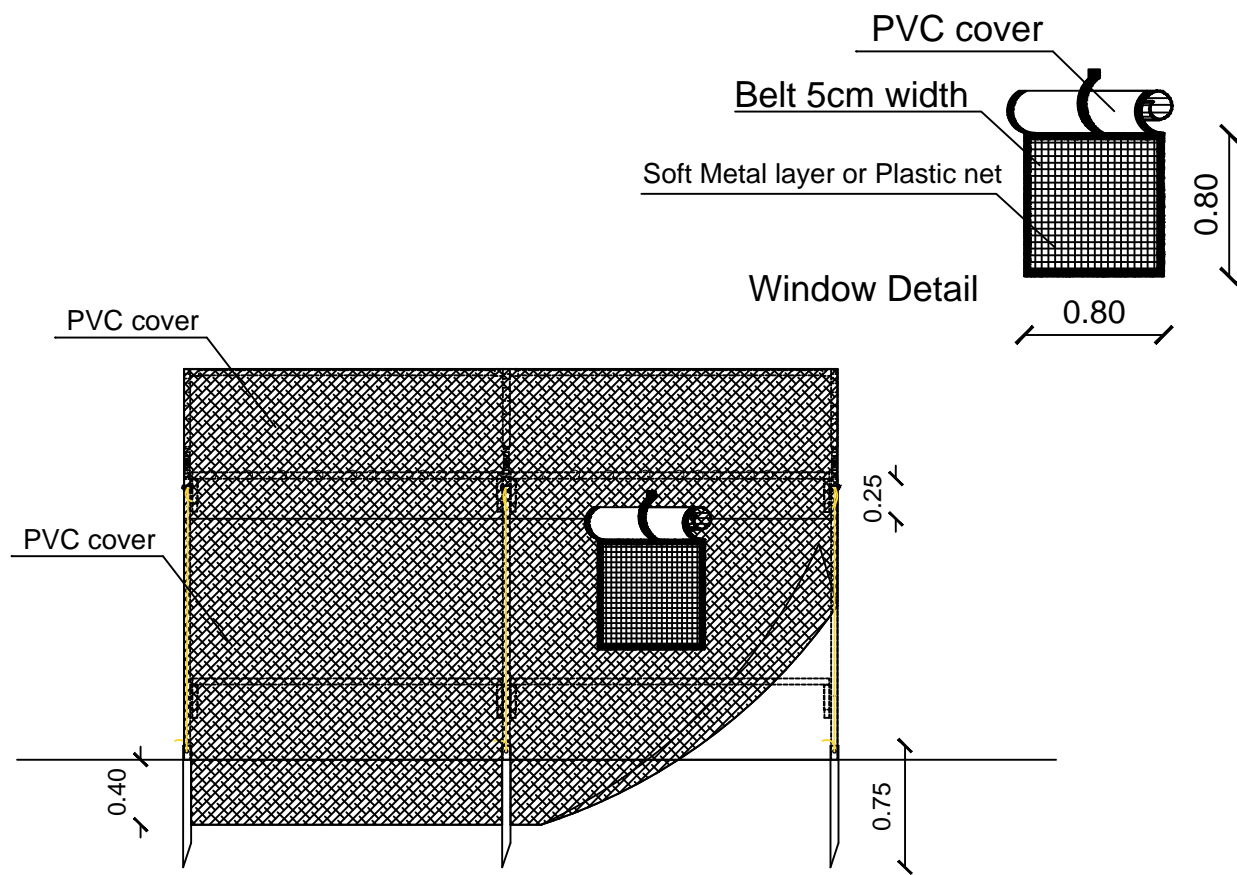
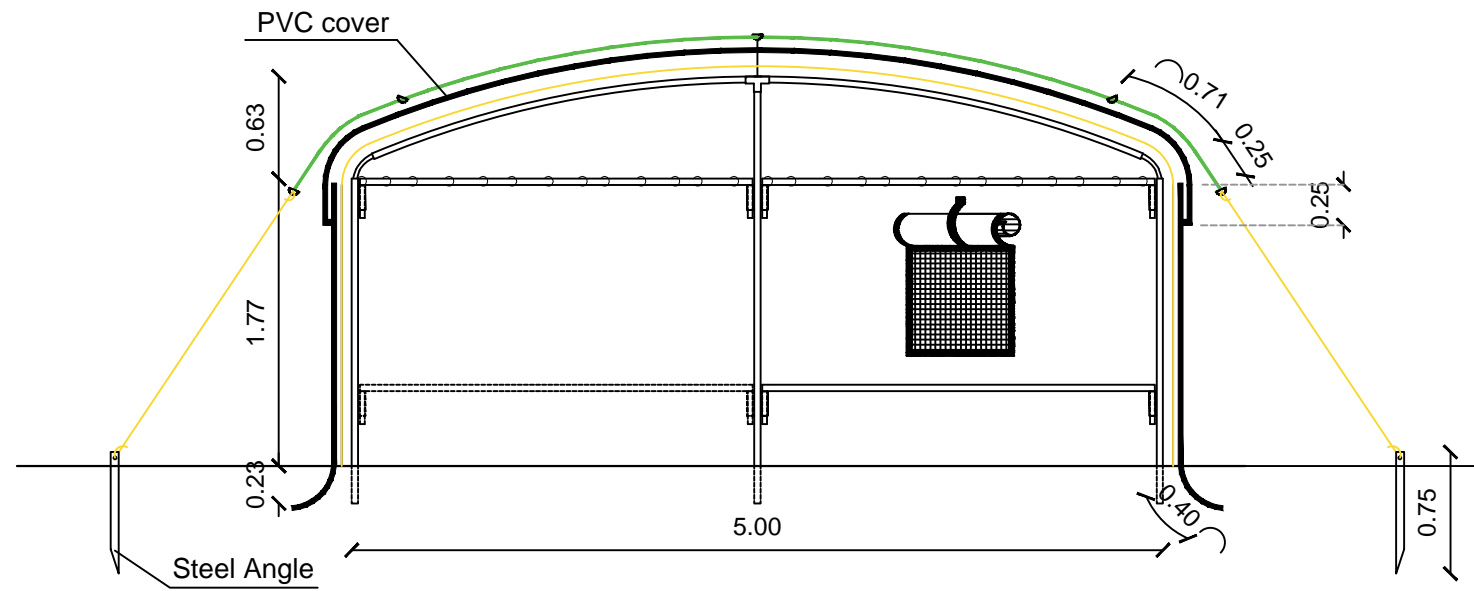
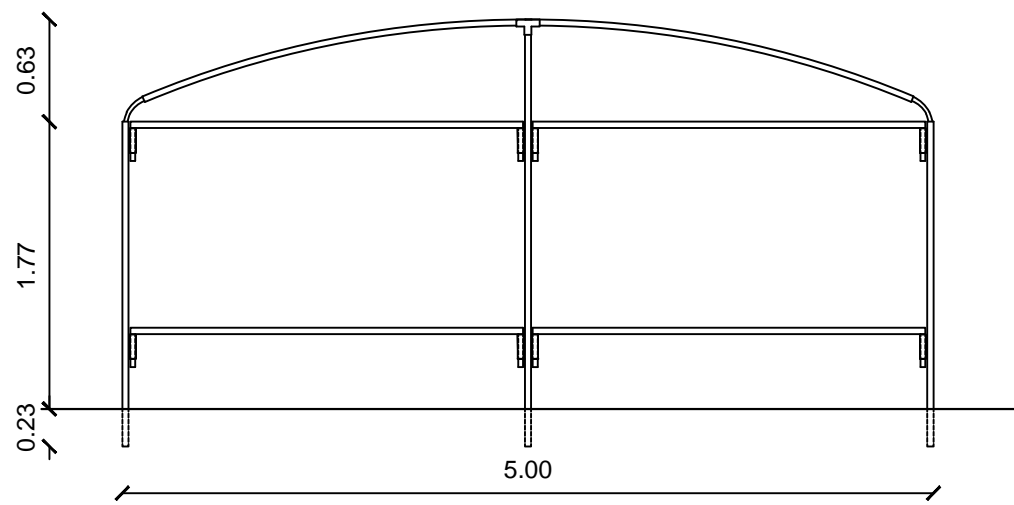


Main Plan



Side Elevation

<p>Agency:</p> 	<p>Funded by:</p>  <p>Humanitarian Aid and Civil Protection - ECHO</p>	<p>Agency : ACTED          Program : Emergency Project          Scale : 1:50          Designer: Muhammad Abu-Rajab</p>	<p>N</p> 	<p>Design Code :          LT20</p>	<p>Plan Name :          Livelihood Tent 20 m<sup>2</sup></p>	<p>Date :          2018</p>
--	---	--	--	--	--	---------------------------------



Agency:

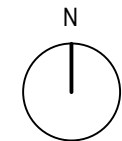


Funded by:

Humanitarian Aid  
and Civil Protection - ECHO



Agency : ACTED  
Program : Emergency Project  
Scale : 1:50  
Designer: Muhammad Abu-Rajab



Design Code :

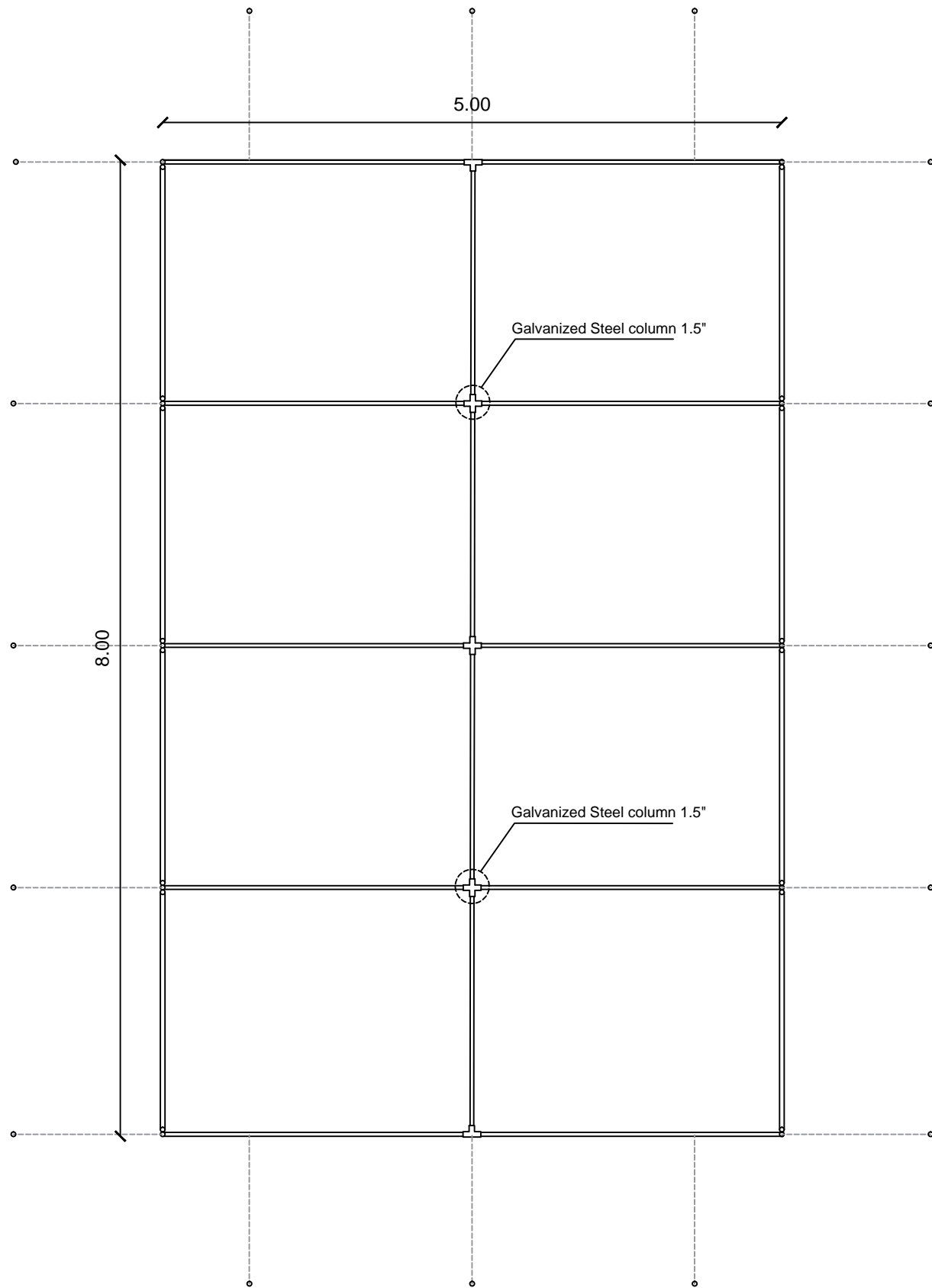
LT20

Plan Name :

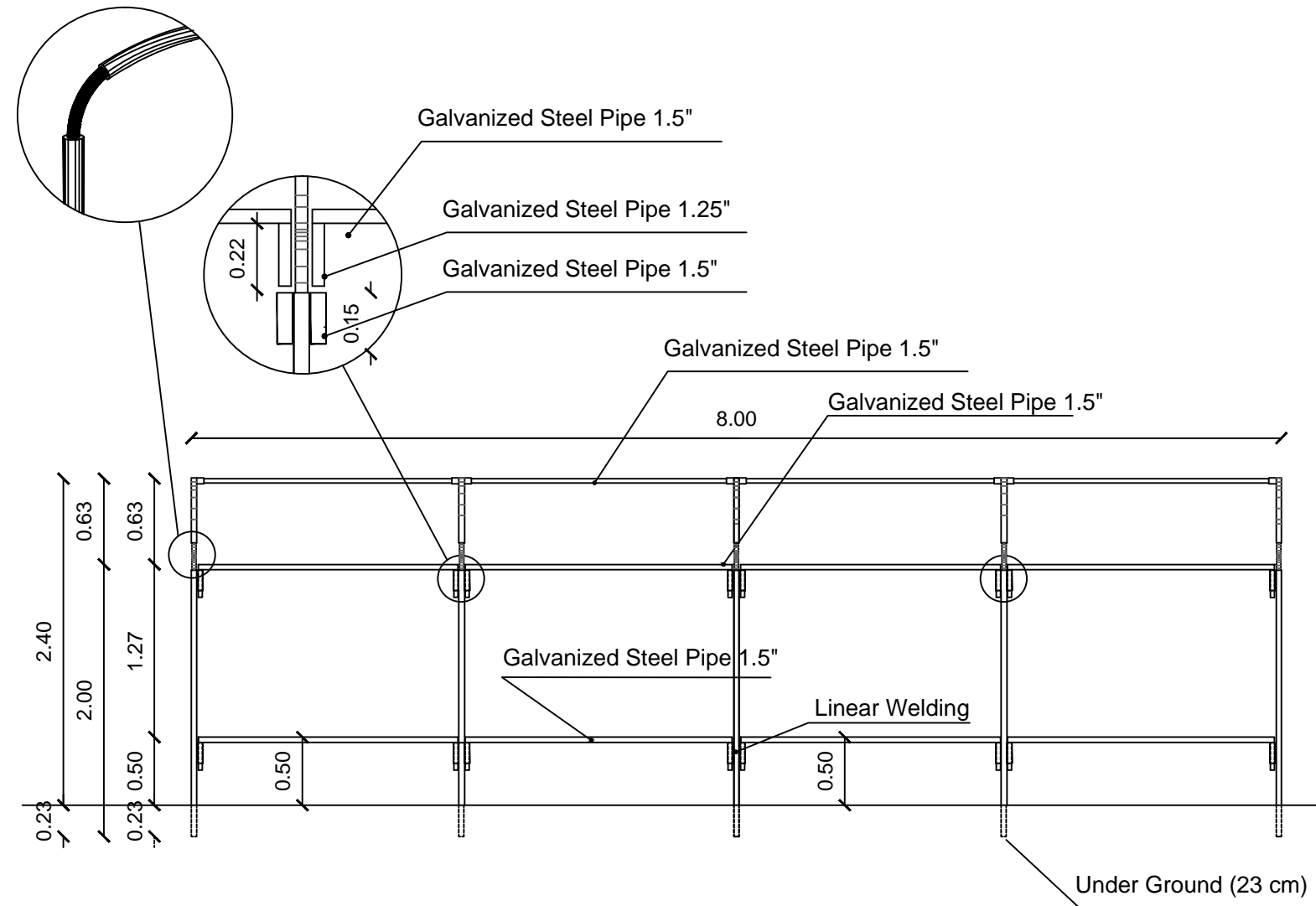
Livelihood Tent 20 m<sup>2</sup>

Date :

2018



Main Plan



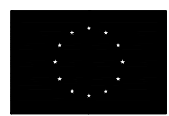
Side Elevation

Agency:



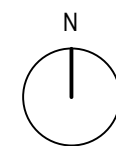
Funded by:

Humanitarian Aid  
and Civil Protection - ECHO



Humanitarian Aid  
and Civil Protection

Agency : ACTED  
Program : Emergency Project  
Scale : 1:50  
Designer: Muhammad Abu-Rajab



Design Code :

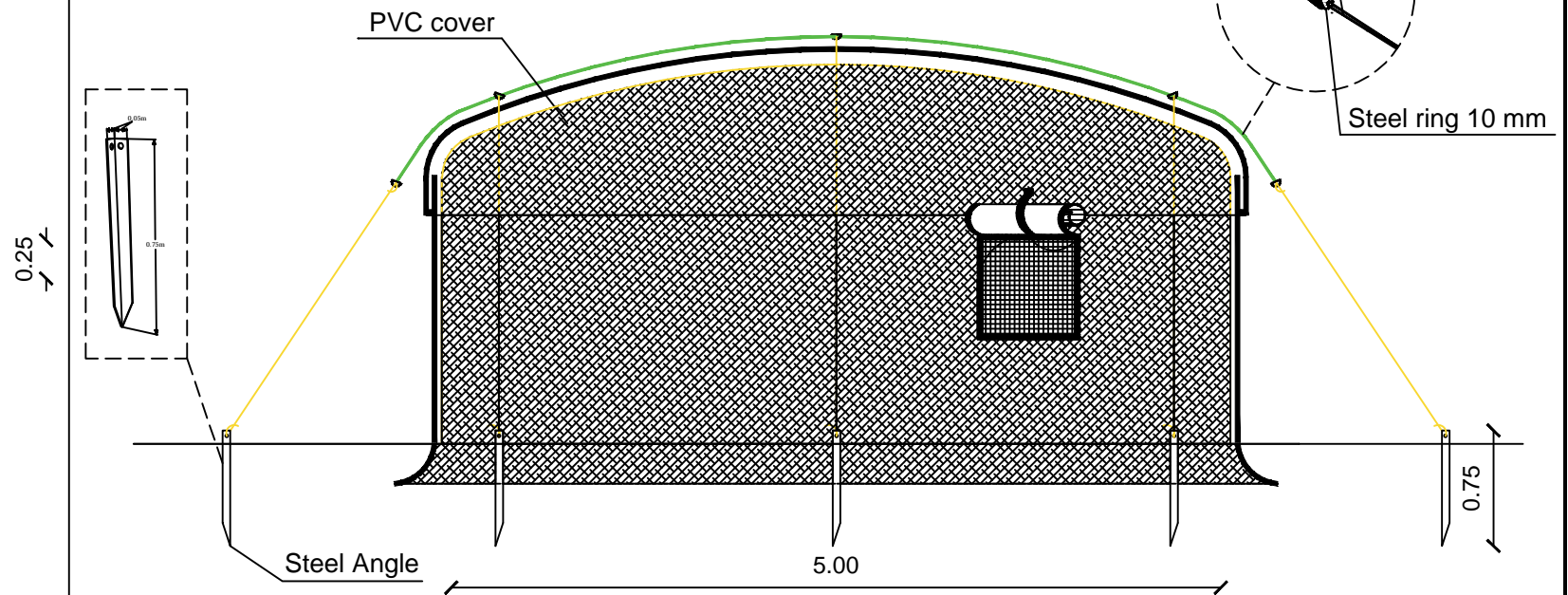
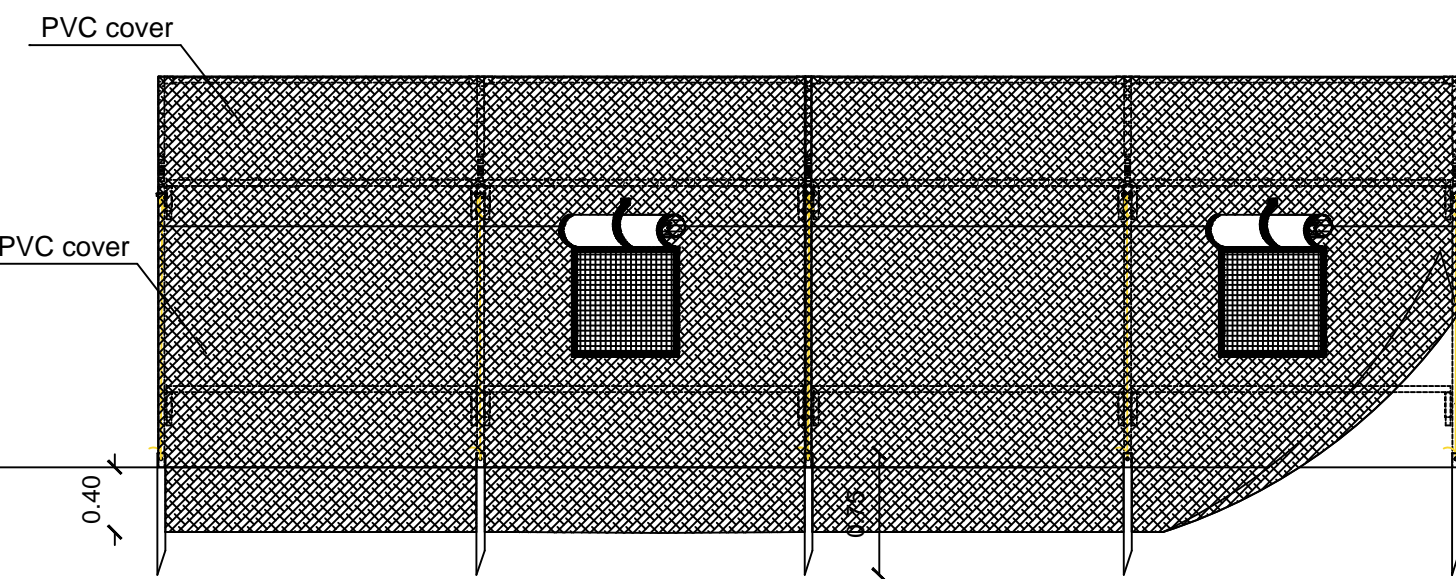
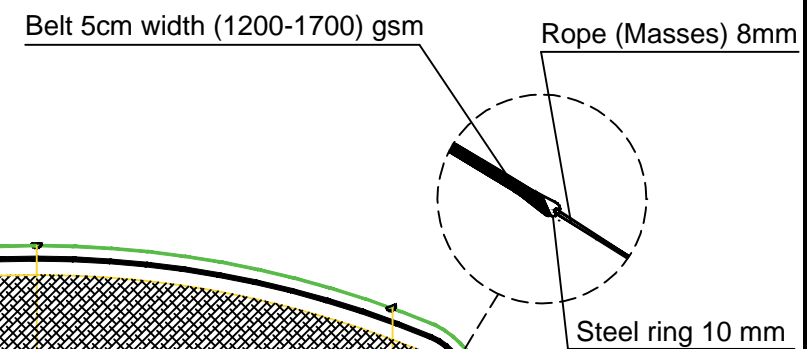
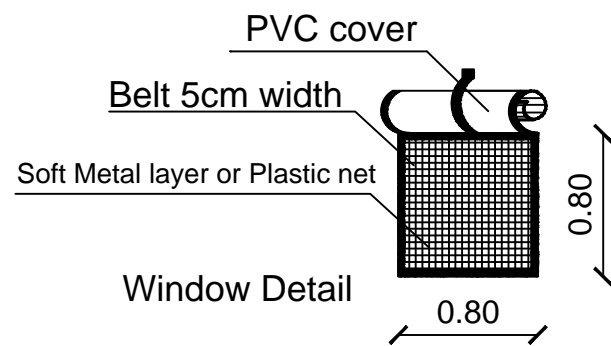
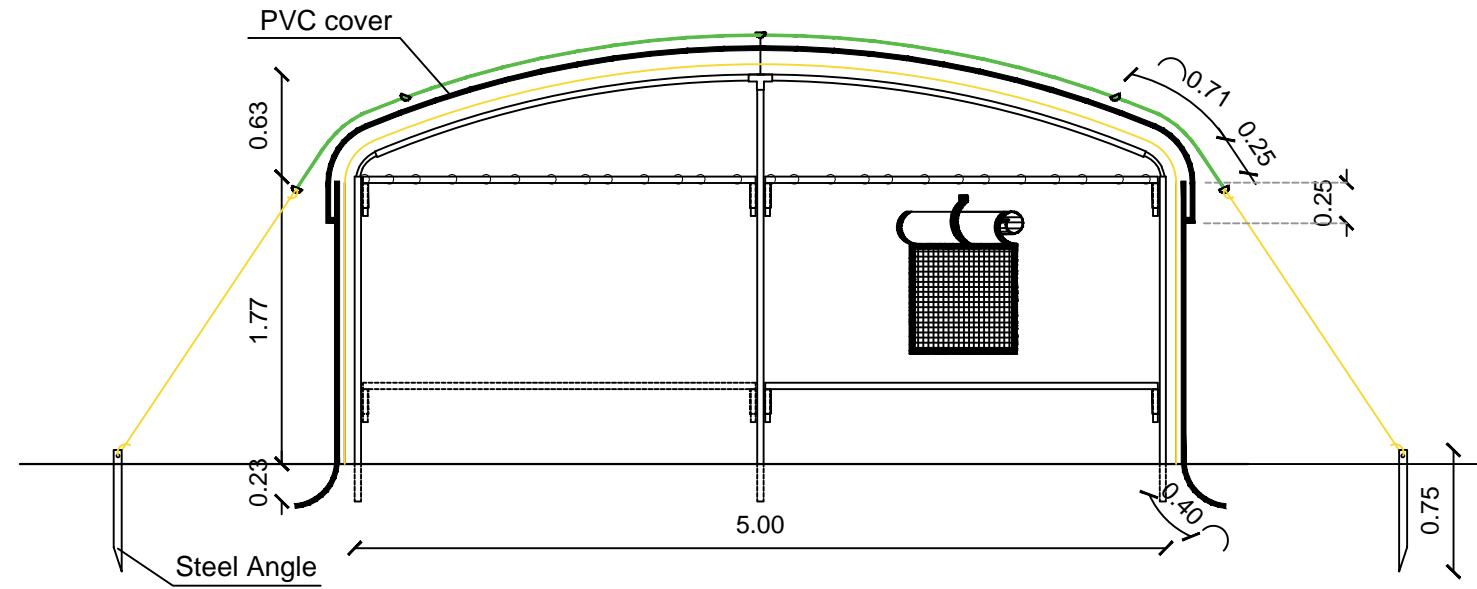
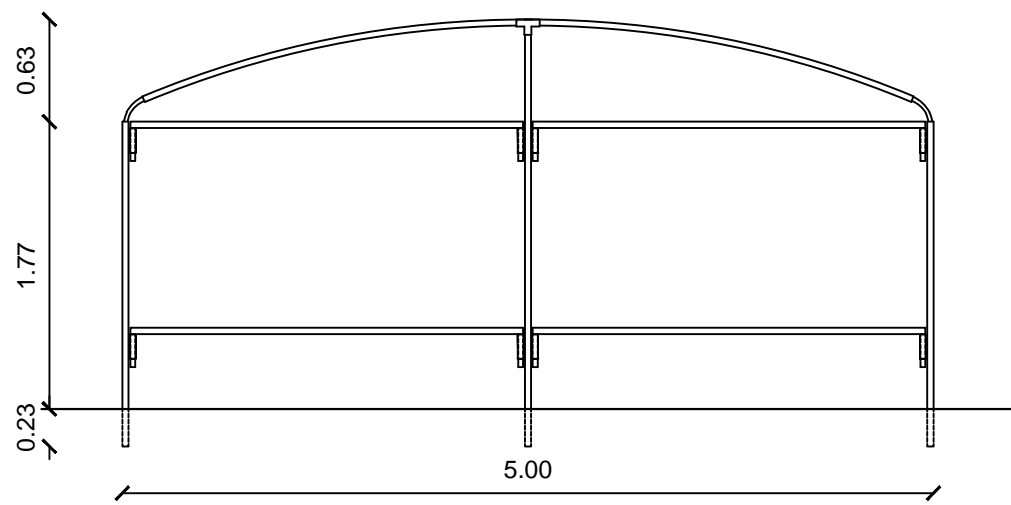
LT40

Plan Name :

Livelihood Tent 40 m<sup>2</sup>

Date :

2018



Agency:

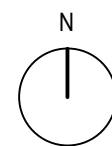


Funded by:

Humanitarian Aid  
and Civil Protection - ECHO



Agency : ACTED  
Program : Emergency Project  
Scale : 1:50  
Designer: Muhammad Abu-Rajab



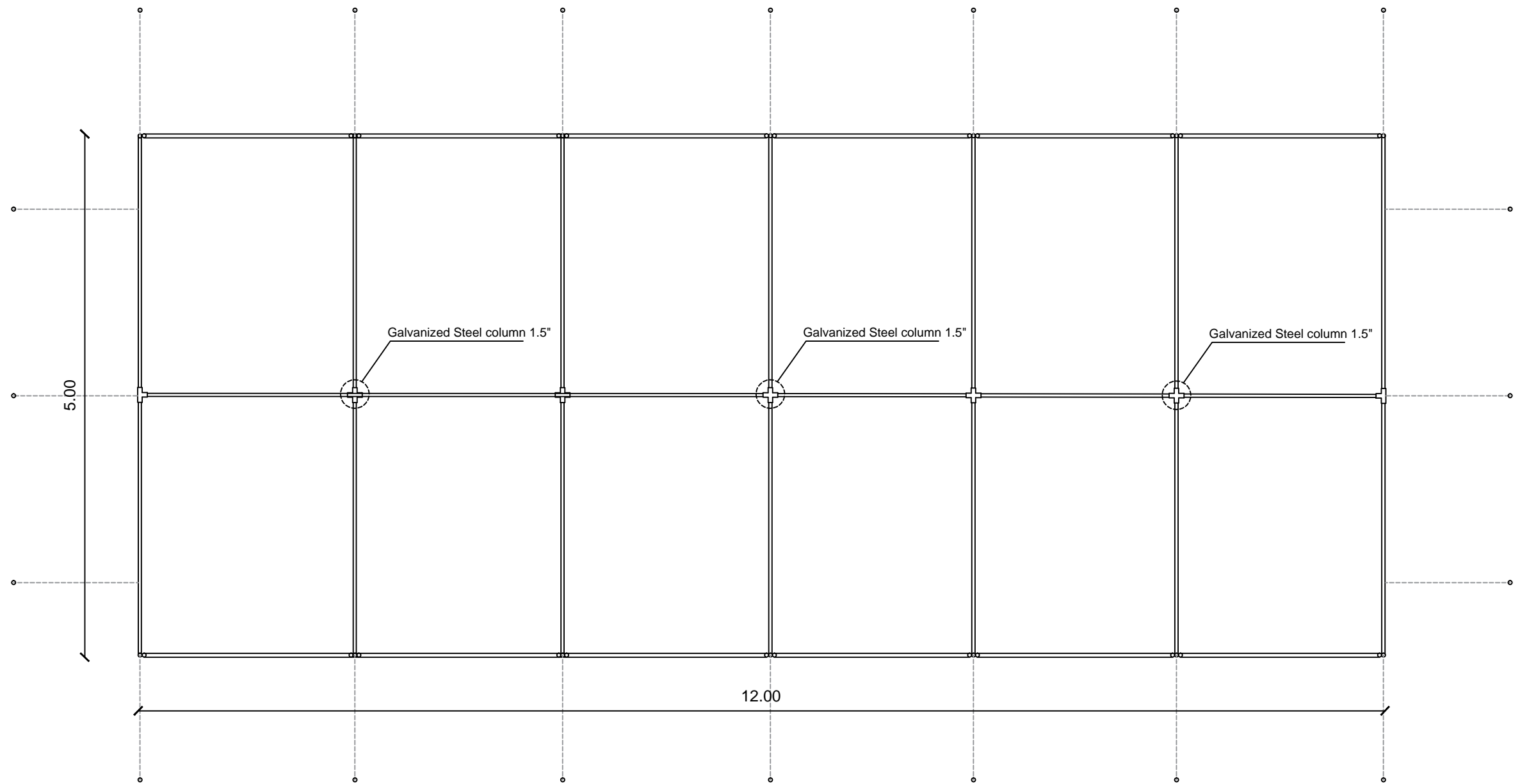
Design Code :  
LT40

Plan Name :

Livelihood Tent 40 m<sup>2</sup>

Date :

2018



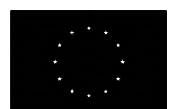
Main Plan

Agency:



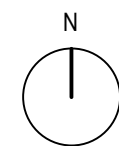
Funded by:

Humanitarian Aid  
and Civil Protection - ECHO



Humanitarian Aid  
and Civil Protection

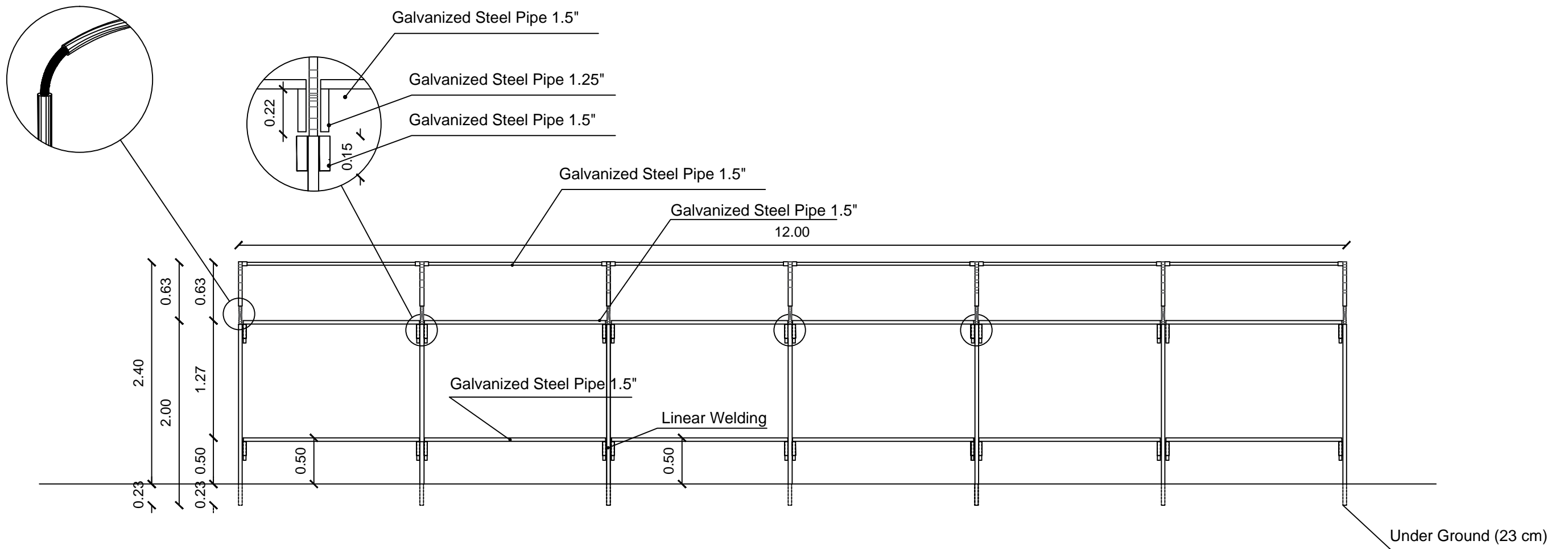
Agency : ACTED  
Program : Emergency Project  
Scale : 1:50  
Designer: Muhammad Abu-Rajab



Design Code :  
LT60

Plan Name :  
Livelihood Tent 60 m<sup>2</sup>

Date :  
2018



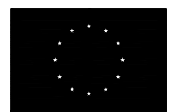
Side Elevation

Agency:



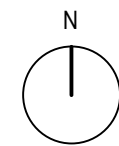
Funded by:

Humanitarian Aid  
and Civil Protection - ECHO



Humanitarian Aid  
and Civil Protection

Agency : ACTED  
Program : Emergency Project  
Scale : 1:50  
Designer: Muhammad Abu-Rajab

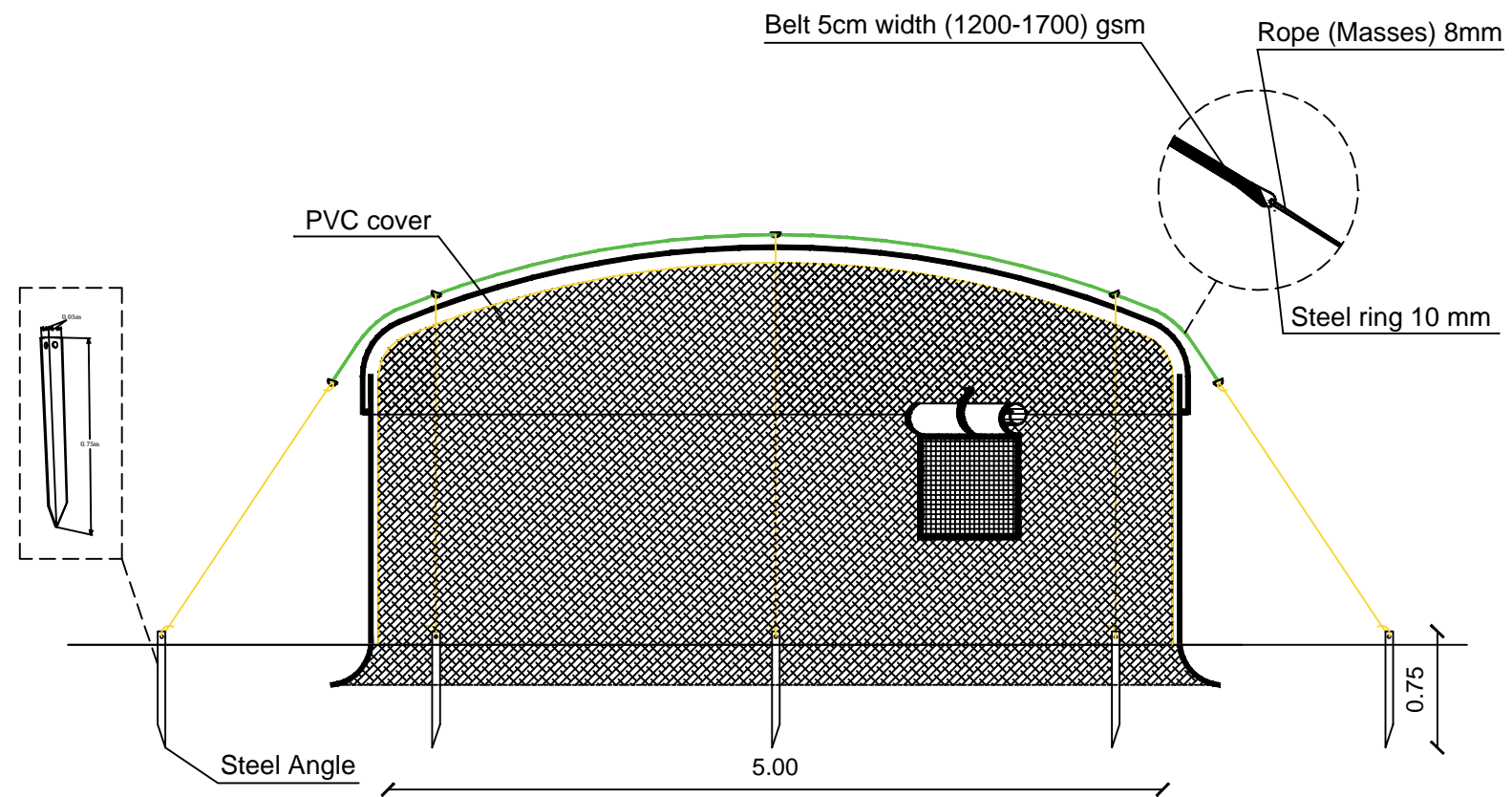
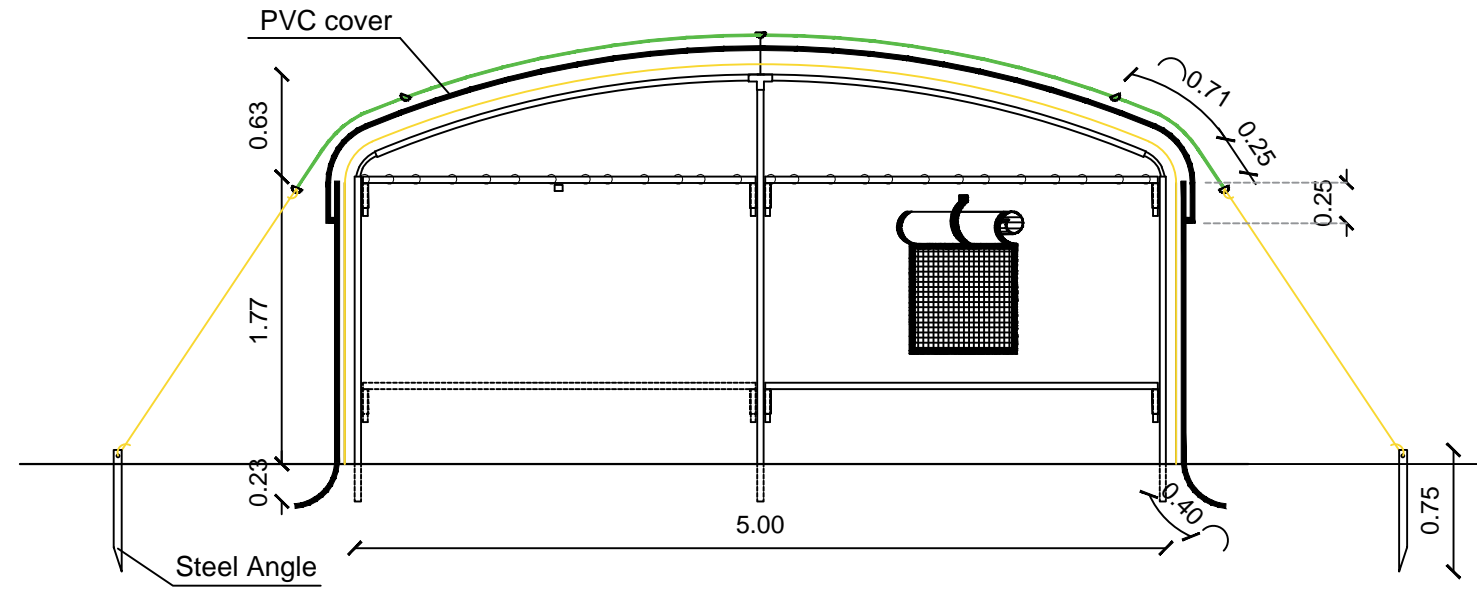
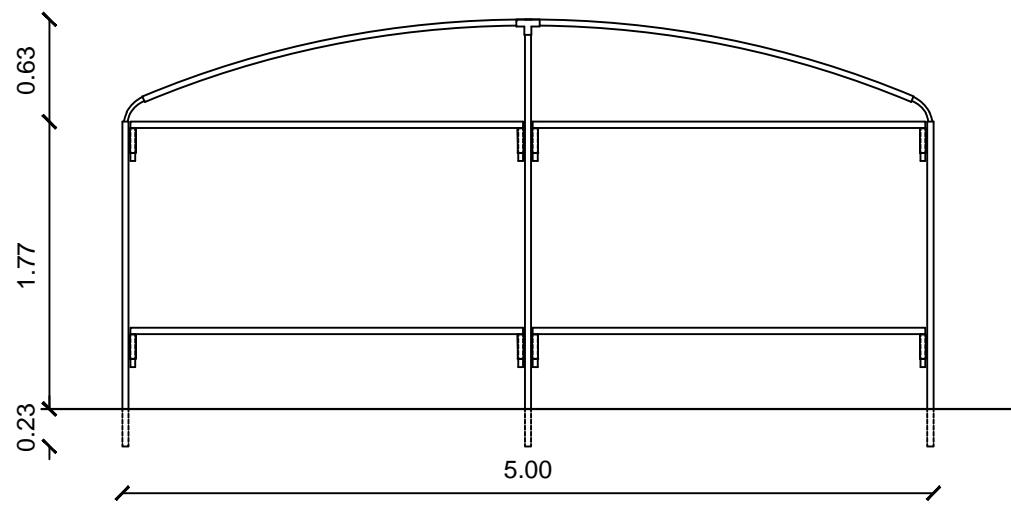


Design Code :  
LT60

Plan Name :  
Livelihood Tent 60 m<sup>2</sup>

Date :  
2018





Agency:

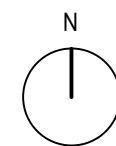


Funded by:

Humanitarian Aid  
and Civil Protection - ECHO



Agency : ACTED  
Program : Emergency Project  
Scale : 1:50  
Designer: Muhammad Abu-Rajab



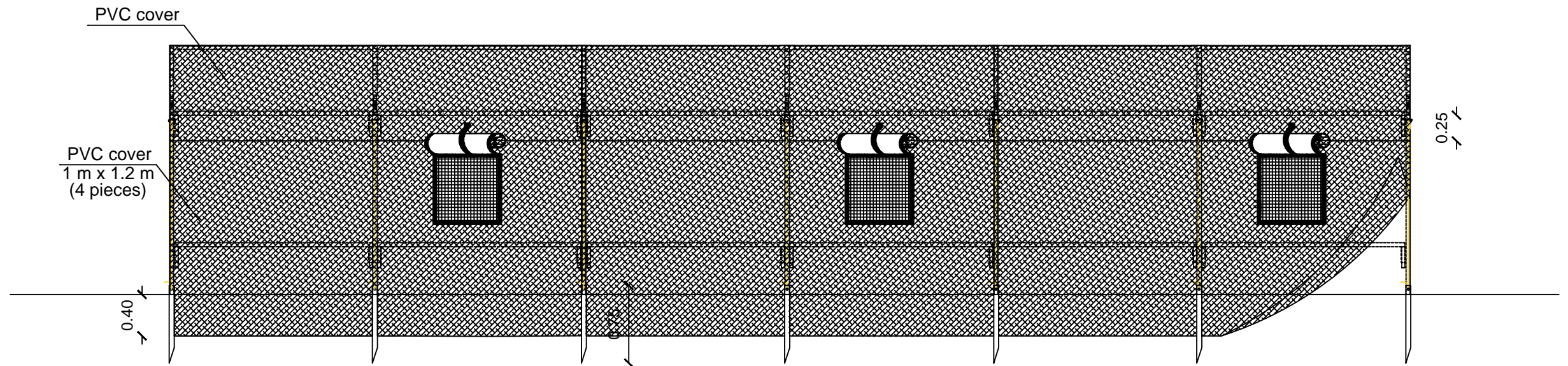
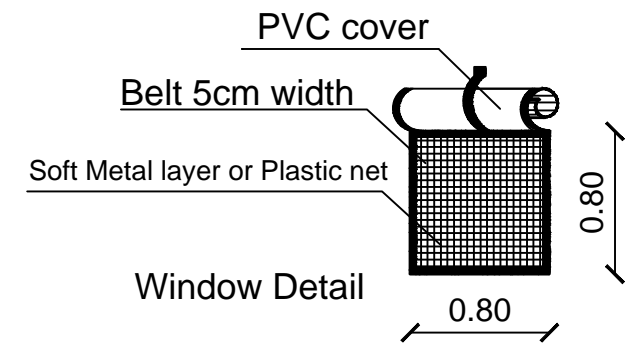
Design Code :  
LT60

Plan Name :

Livelihood Tent 60 m<sup>2</sup>

Date :

2018

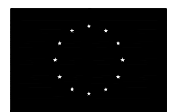


Agency:



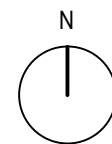
Funded by:

Humanitarian Aid  
and Civil Protection - ECHO



Humanitarian Aid  
and Civil Protection

Agency : ACTED  
Program : Emergency Project  
Scale : 1:50  
Designer: Muhammad Abu-Rajab



Design Code :  
LT60

Plan Name :  
Livelihood Tent 60 m<sup>2</sup>

Date :  
2018